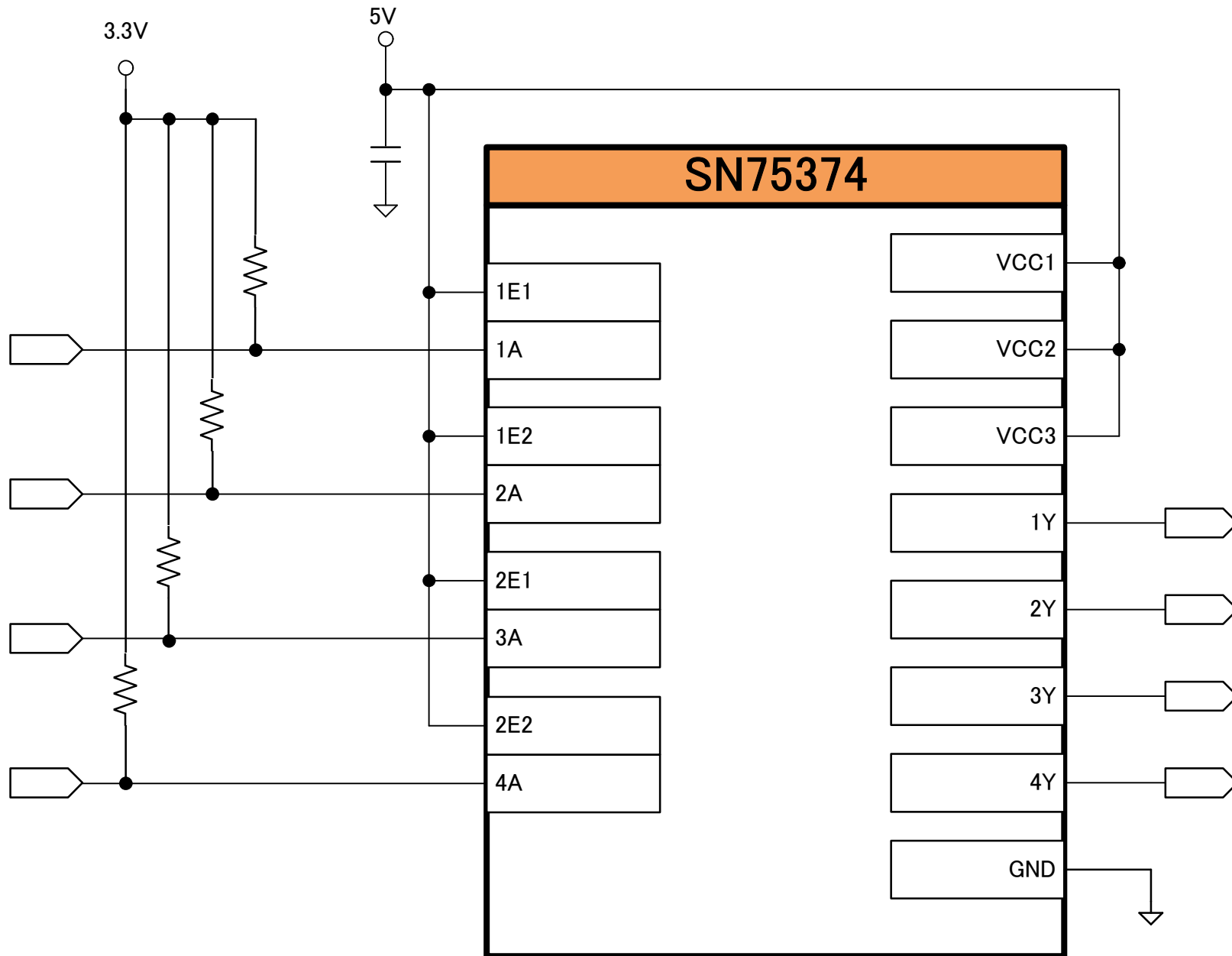
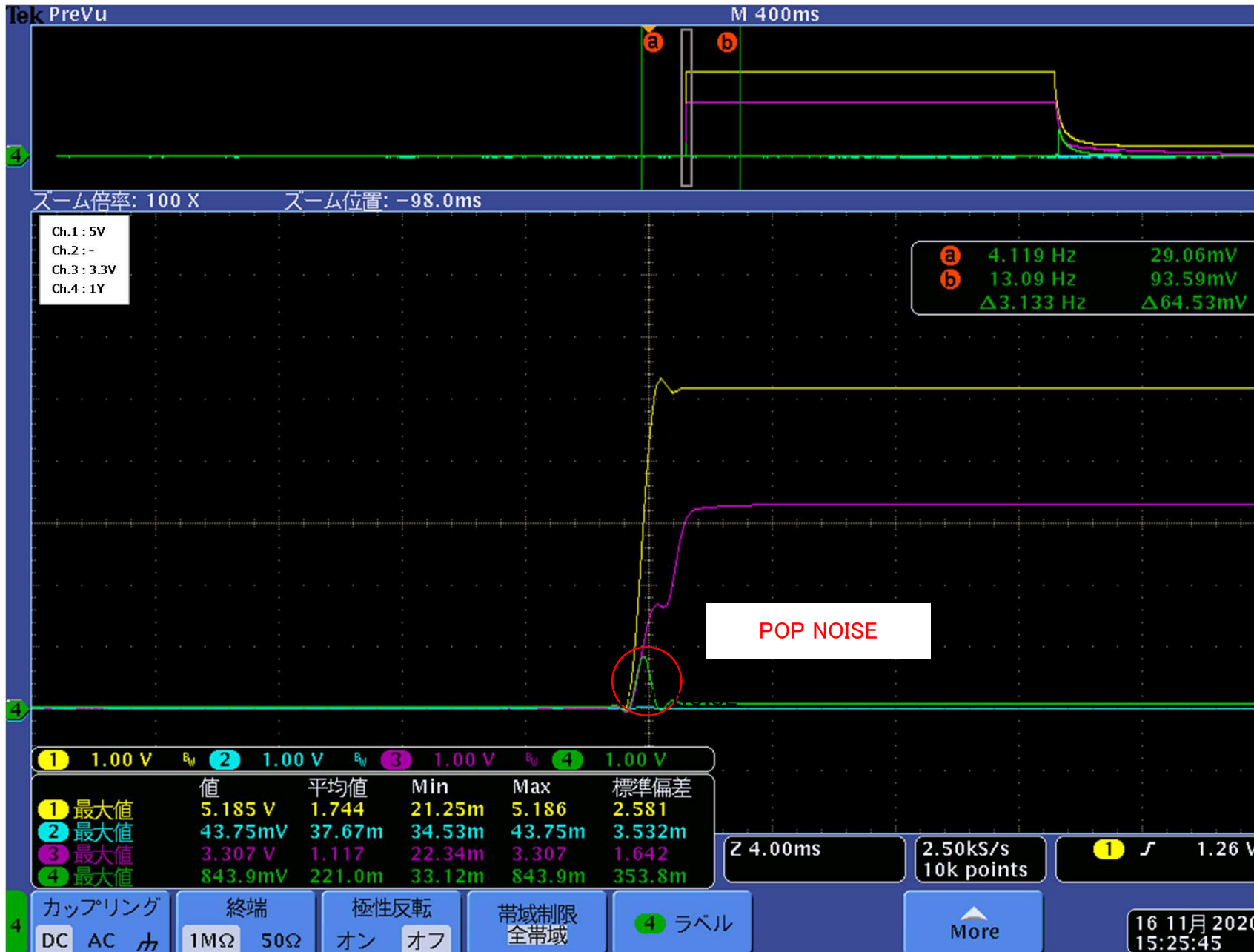


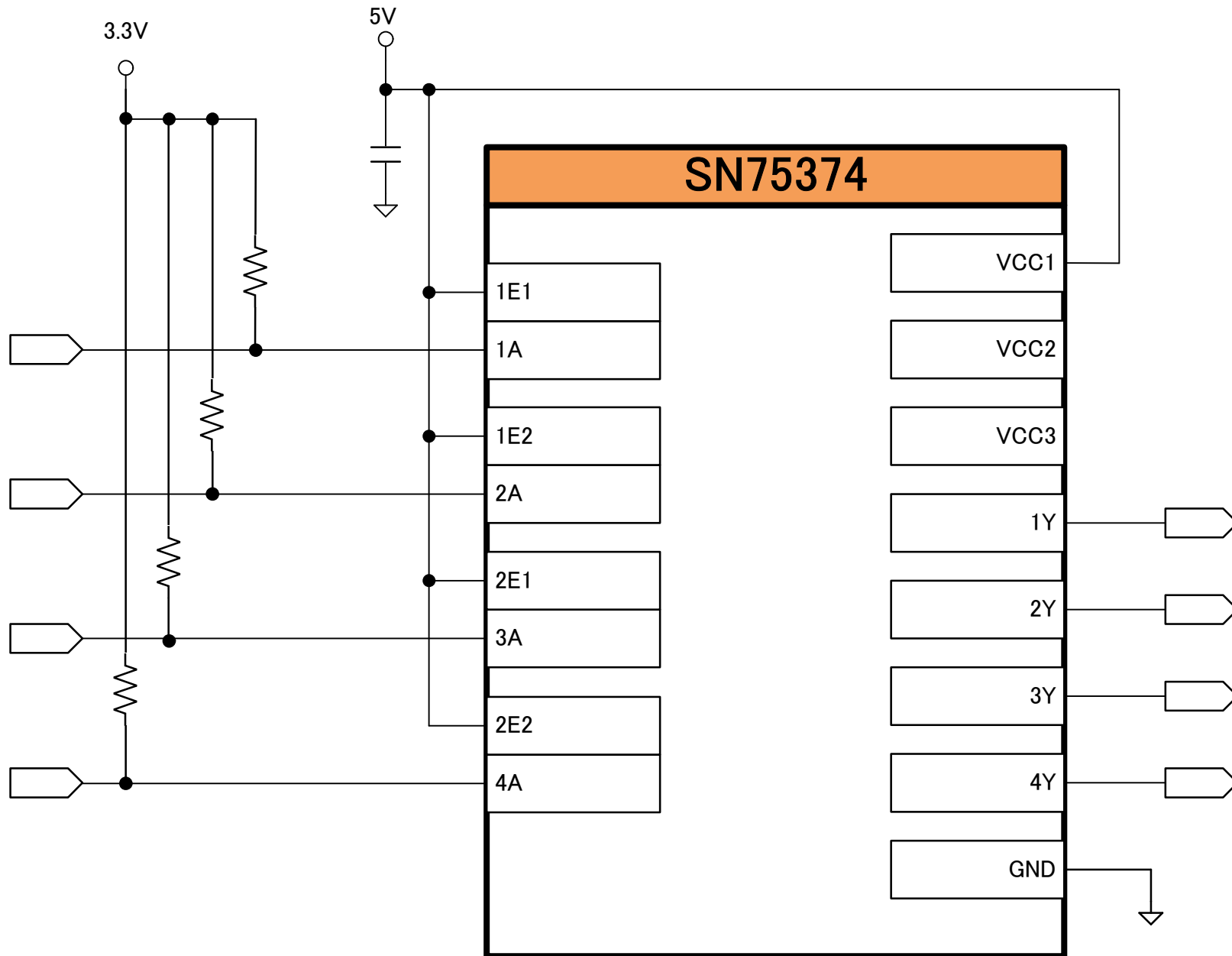
# Schematic 1



# Schematic1



# Schematic2



# Schematic2

