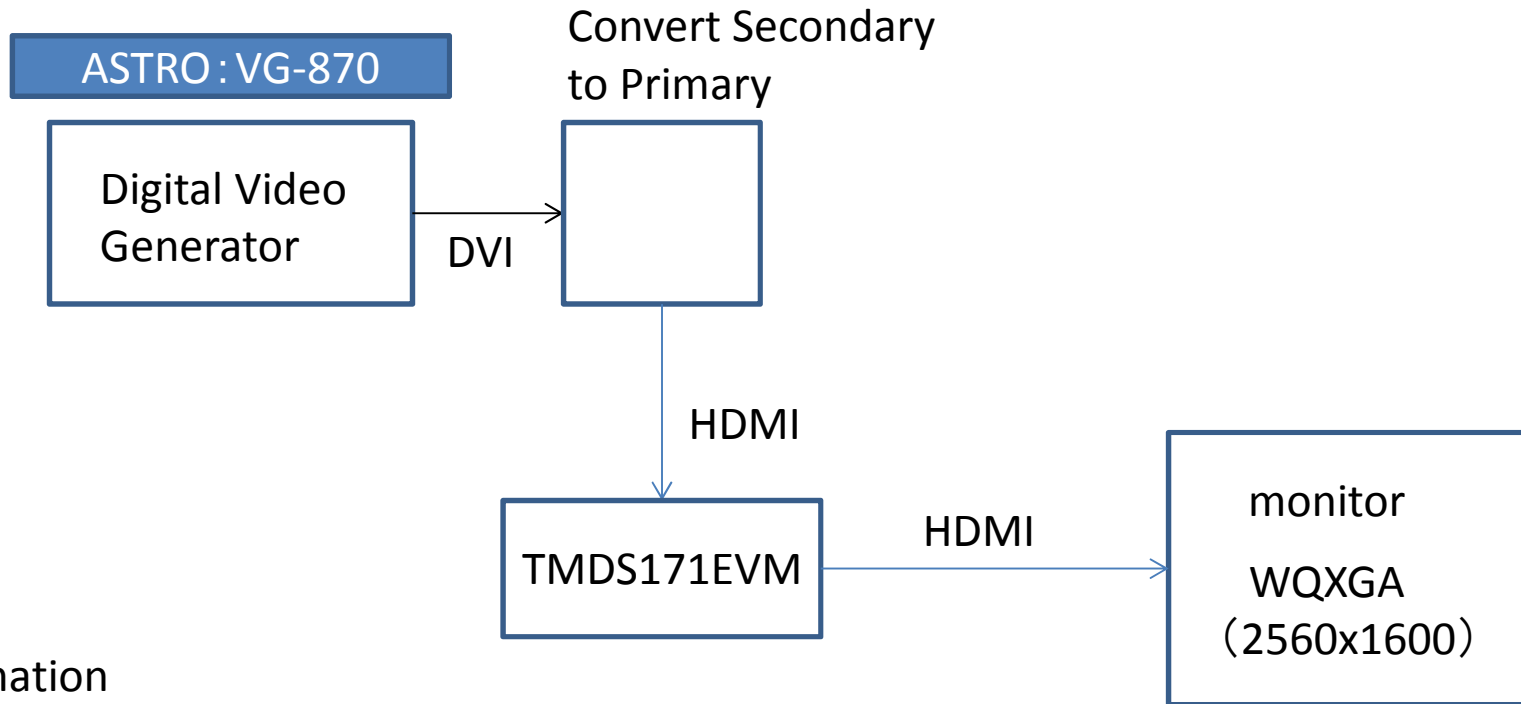


System configuration where color shift occurs

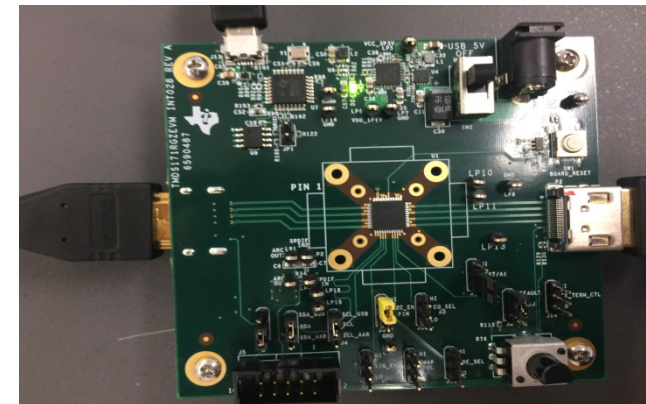


Confirmation

Do you have VG - 870 of Astro?

Full HD monitor is also possible.

- It is reproduced when ON / OFF is executed about 30 times by clock switching of VG - 870.
- The EVM jumper is the initial value.
- Color shift is. It happens only in retimer mode.
- After color shift occurred,
Writing "1" to "0x0A [2] APPLY_RTX_CHANGES bit"
eliminates color shift



Picture of the EVM that tested