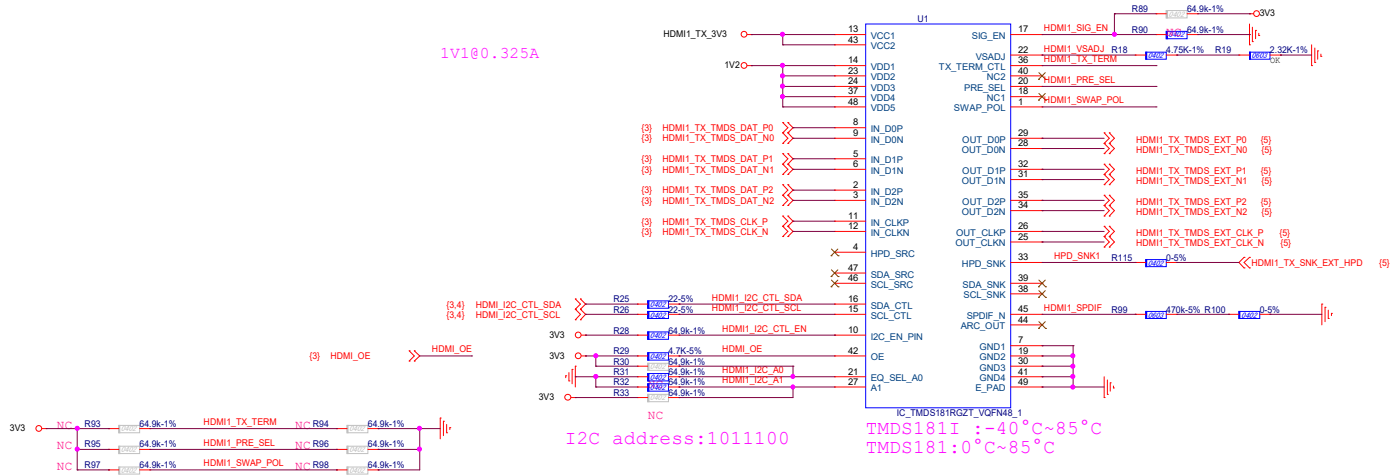


RETIMER



1V100.325A

I2C address:1011100

TMDS181I :-40°C~85°C
TMDS181:0°C~85°C

