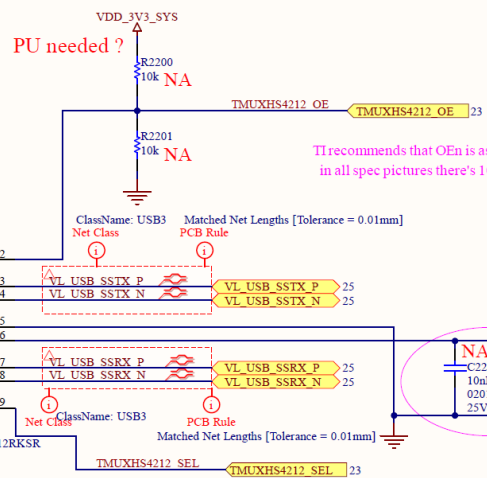
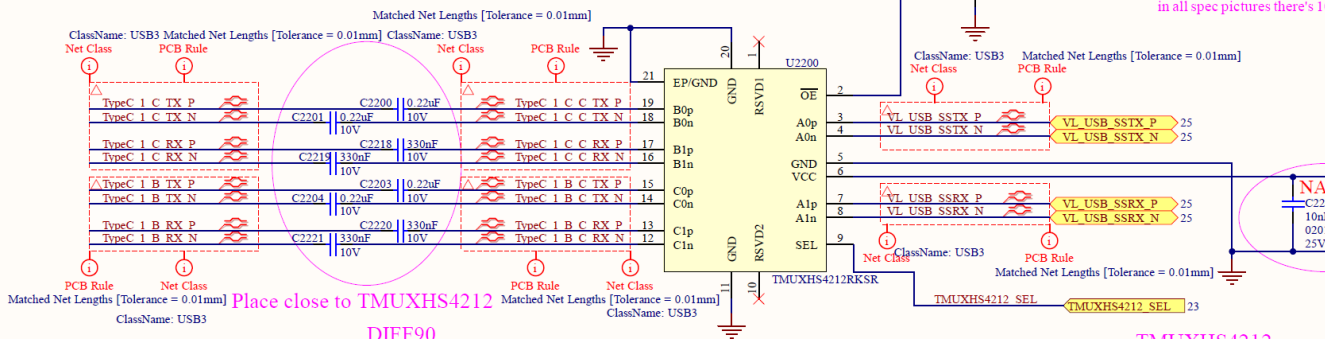
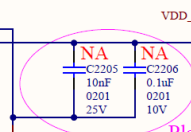


0.22uF IN TX pins, 0.33uF in RX pins

Spec figure 9 as reference



TI recommends that OEn is asserted low after device supply VCC is stable and in specification in all spec pictures there's 10k pulldown in OE



Place close to pin 6

DIFF90  
B and C pins are swapped because it is easier to route in Layout

TMUXHS4212 supports 1.8V VCC but it reduces Vcm max to 1.2V