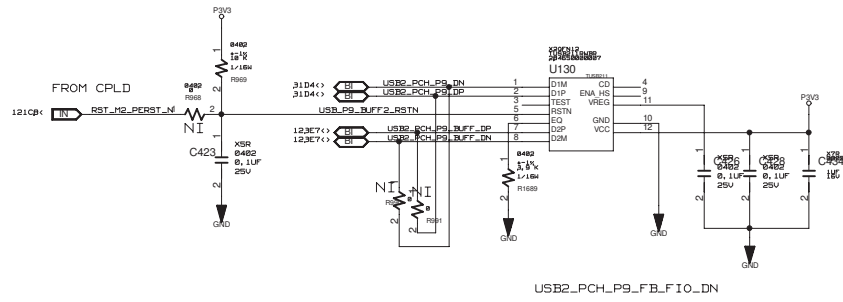
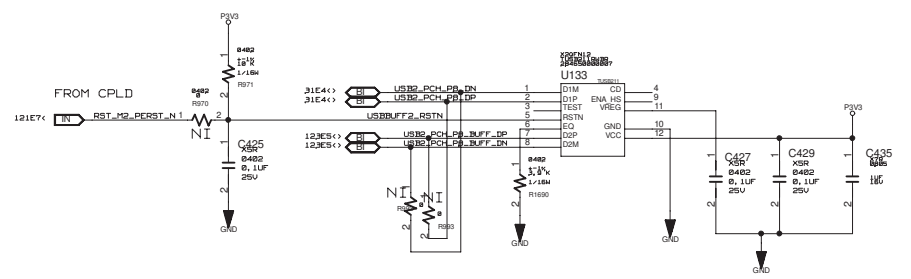


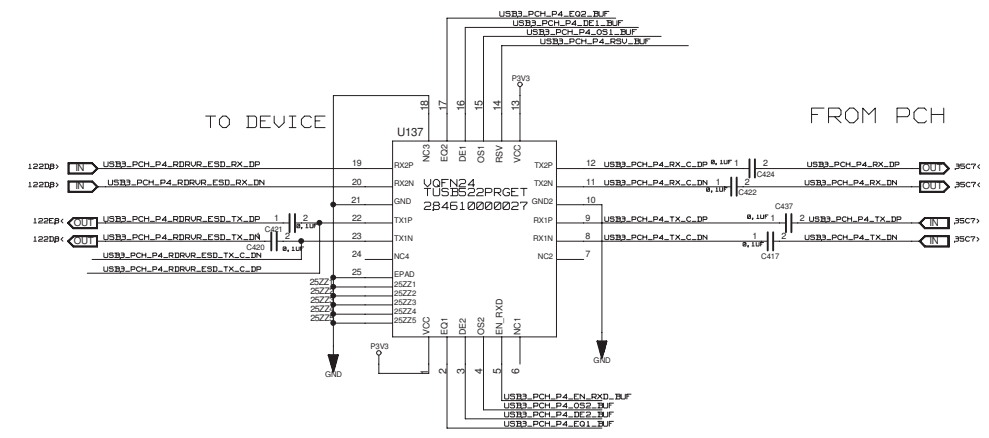
ECO: <ECO>	DESCRIPTION: <DESCRIPTION>	DATE: <ECO_DATE>
------------	----------------------------	------------------



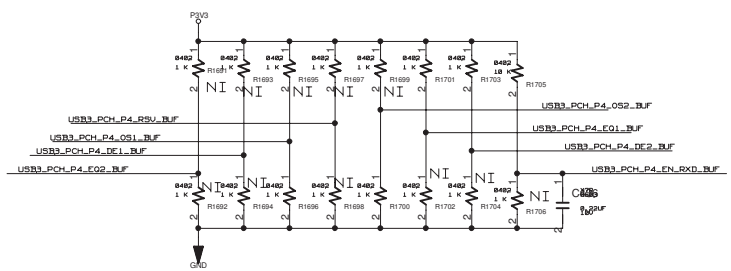
USB2_PCH_P9_FB_F I O_DN



FROM PCH



TO DEVICE



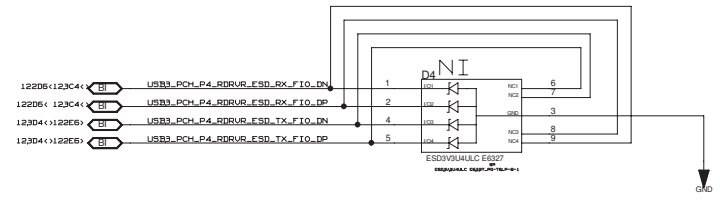
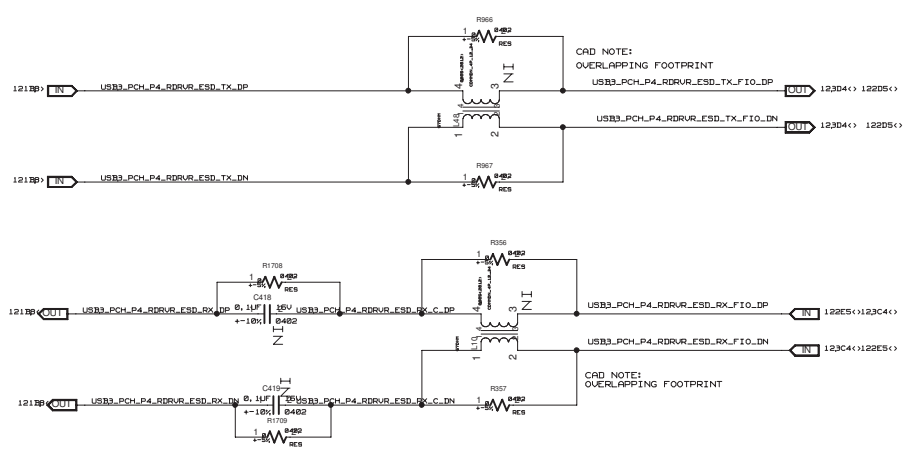
MITAC MITAC COMPUTING TECHNOLOGY CORP.

MITAC Corporation CONFIDENTIAL PROPRIETARY. Copyright (c) 2010
 (FOR INTERNAL USE ONLY) The information herein is proprietary to MITAC Corporation and includes trade secrets. Any use, reproduction or disclosure is prohibited except under

DRAWING TITLE		
F I O_USB-REDRIVER		
ENGINEER <ENGINEER>		
SIZE	DRAWING NO.	REV.
C+	<DRAWING_NO>	R0A
LAST MODIFIED	Fri Sep 22 17:42:18 2017	
SHEET 121 OF 182		

ECO: <ECO>	DESCRIPTION: <DESCRIPTION>	DATE: <ECO_DATE>
------------	----------------------------	------------------

ESD MUST ON FIO

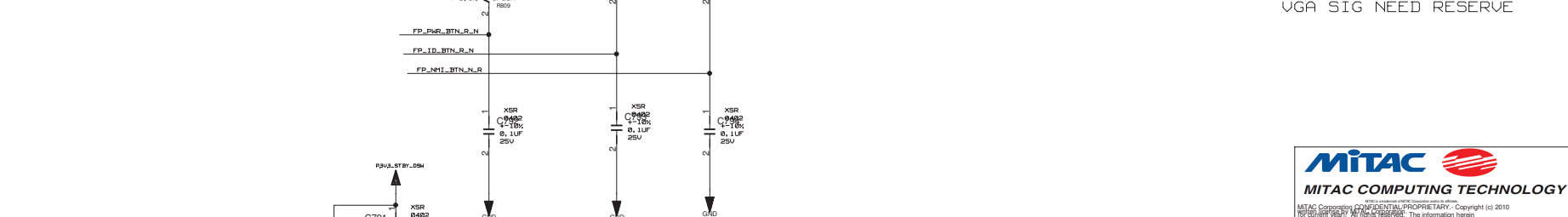
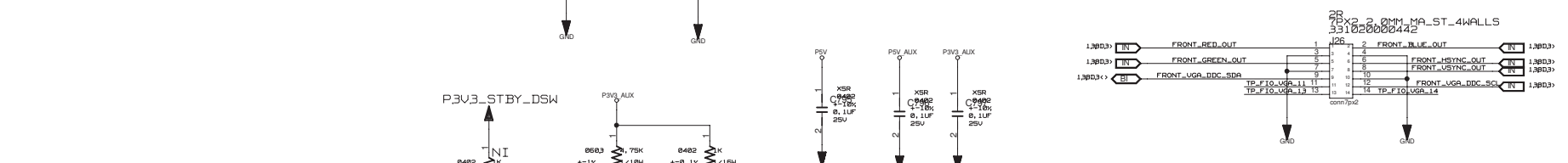
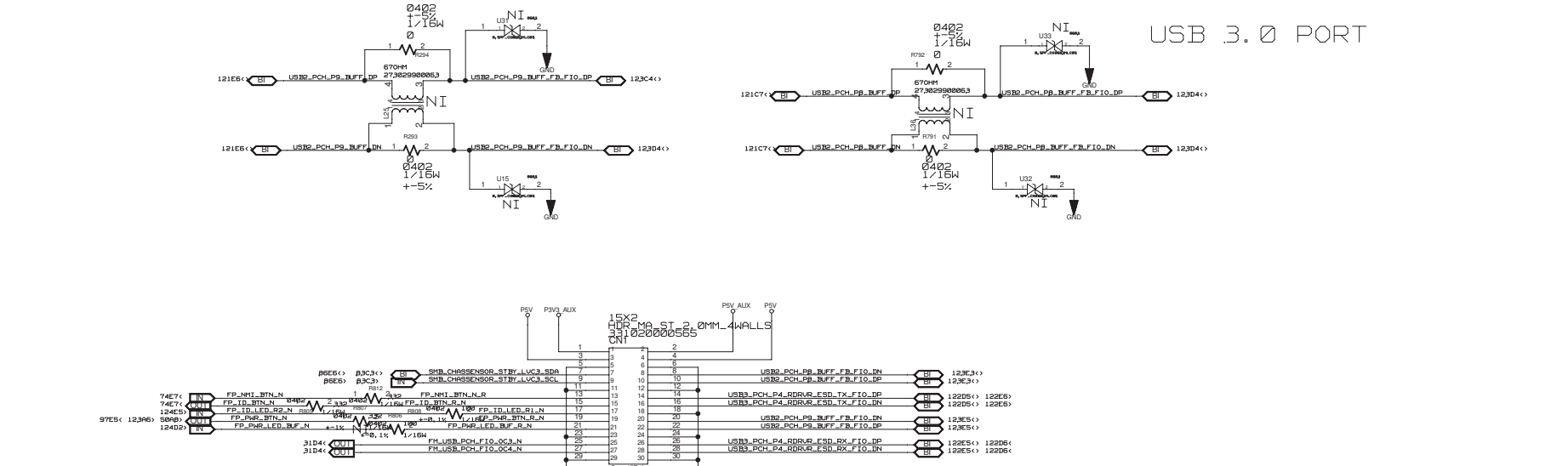


MITAC 
MITAC COMPUTING TECHNOLOGY CORP.
MITAC Corporation CONFIDENTIAL PROPRIETARY - Copyright (c) 2010
 (F) (S) (M) (P) (N) (E) (R) (S) (E). The information herein
 is proprietary to MITAC Corporation and includes trade secrets.
 Any use, reproduction or disclosure is prohibited except under

DRAWING TITLE		
FIO_USB3 SIG		
ENGINEER		
<ENGINEER>		
SIZE	DRAWING NO.	REV.
C+	<DRAWING_NO>	R0A
LAST MODIFIED		SHEET 122 OF 182
Fri Sep 22 17:42:41 2017		

ECO: <ECO>	DESCRIPTION: <DESCRIPTION>	DATE: <ECO_DATE>
------------	----------------------------	------------------

USB 3.0 PORT



DRAWING TITLE		
FRONT PANEL CONN		
ENGINEER <ENGINEER>		
SIZE	DRAWING NO.	REV.
C+	<DRAWING_NO>	R0A
LAST MODIFIED		SHEET 123 OF 182
Fri Sep 22 17:42:37 2017		