

## TPF401 timing

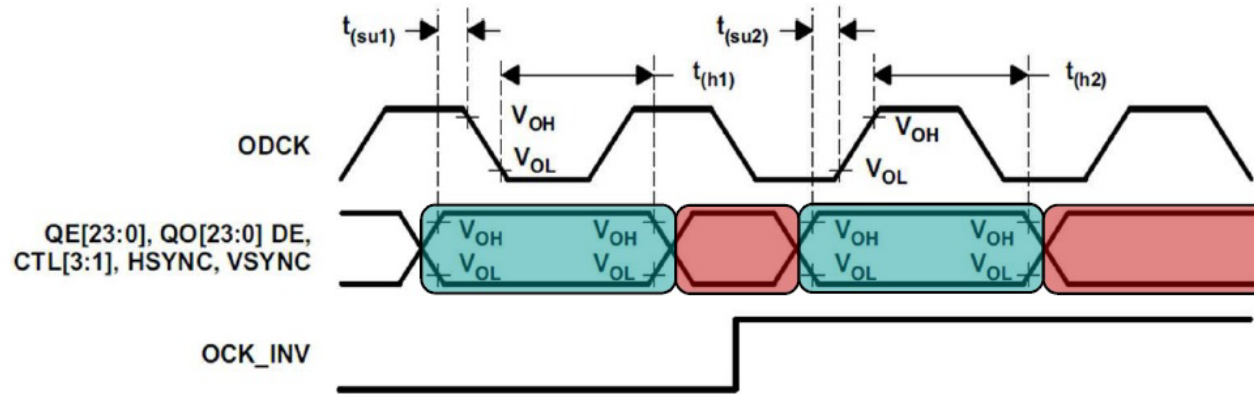


Figure 4. Data Setup and Hold Times to Rising and Falling Edges of ODCK

Q1: blue area is valid data . red area is invalid data Is this ok?

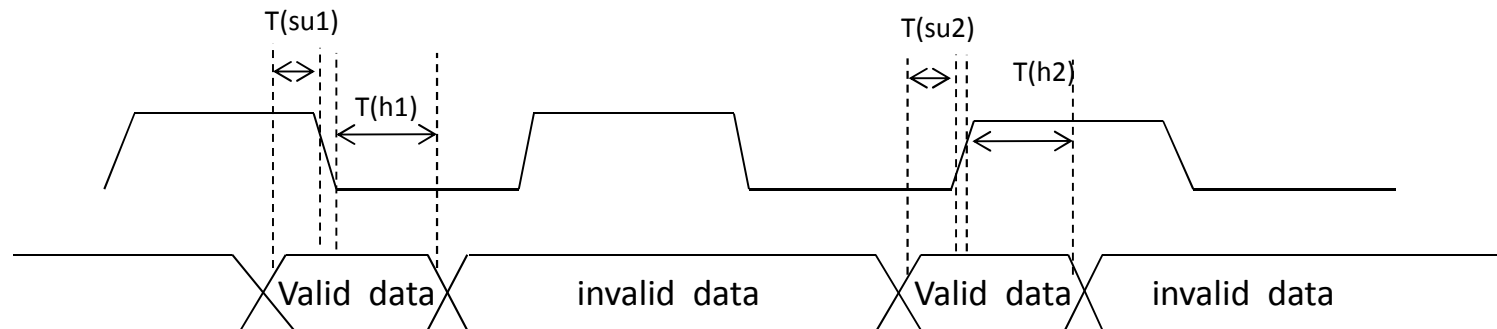


Image figure ODCK  $\Rightarrow$  Low Frequency

Q2: When the D clock was made late.

$T(su1)$  and  $T(h1)$ ,  $T(su2)$  and  $T(h2)$  isn't changed.

Time of the data extends.

Is my way of thinking right?