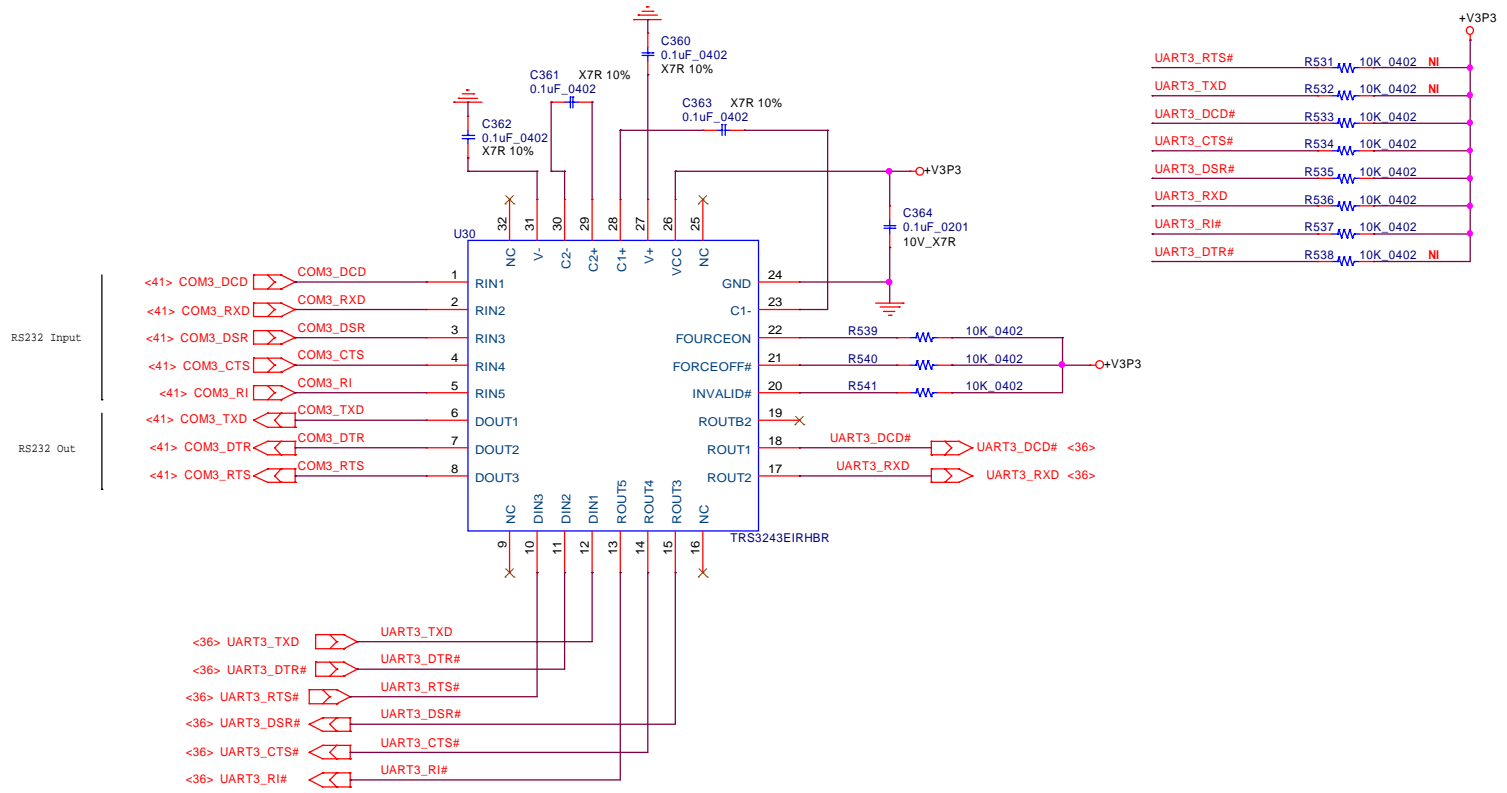
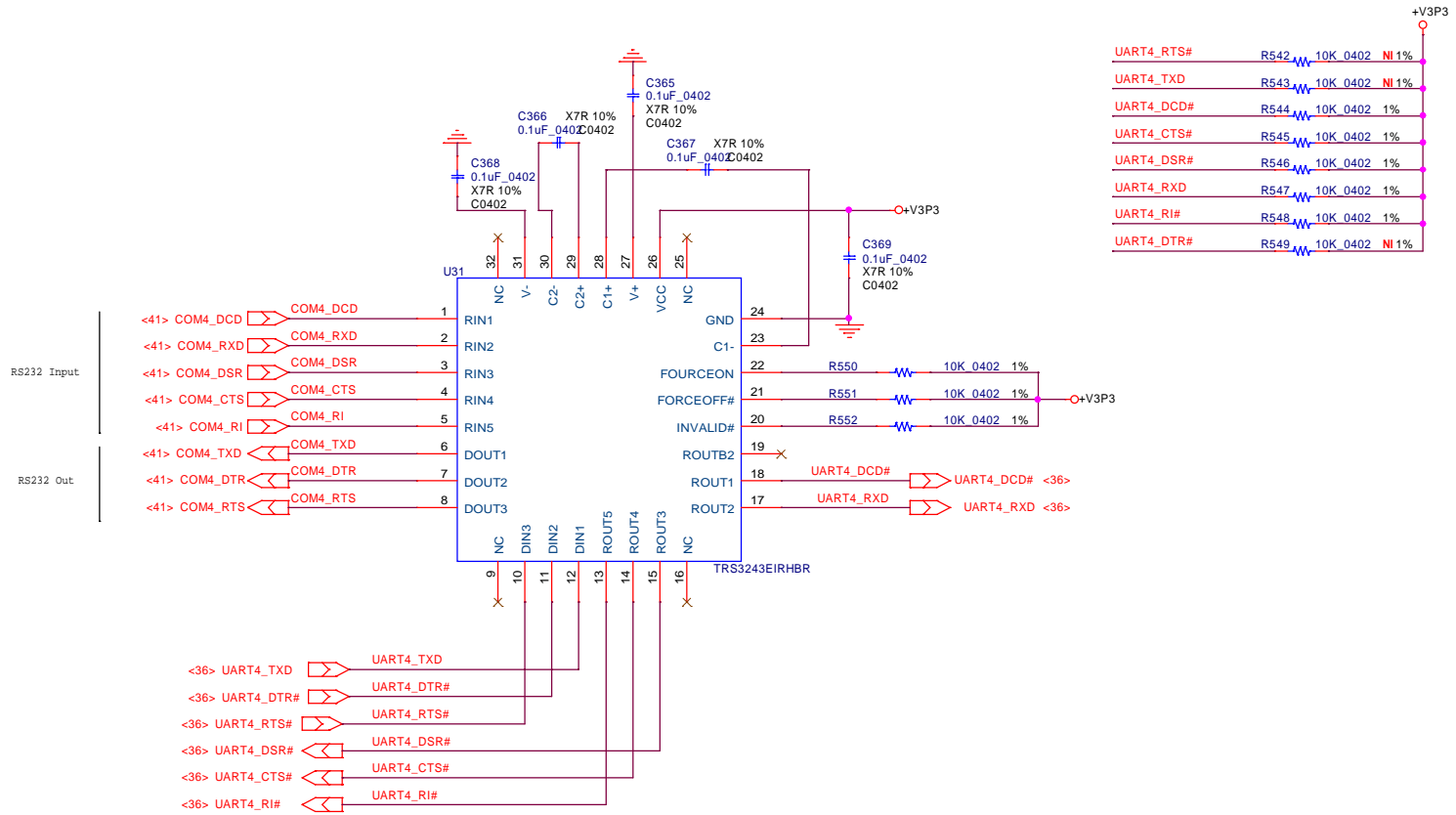


COM3 (Only support RS232)



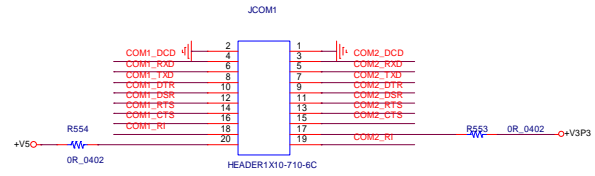
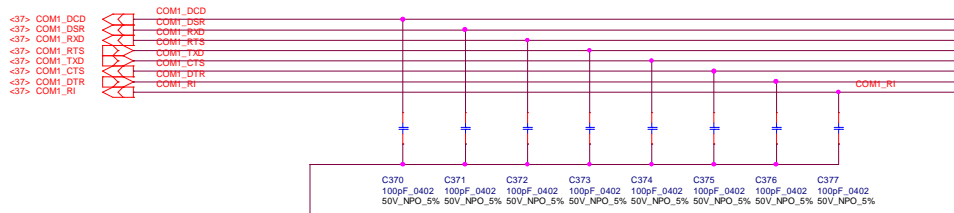
Title		
<Title>		
Size B	Document Number	Rev
	GEN13	0.1
Date:	Monday, November 20, 2023	Sheet 39 of 66

COM4 (Only support RS232)

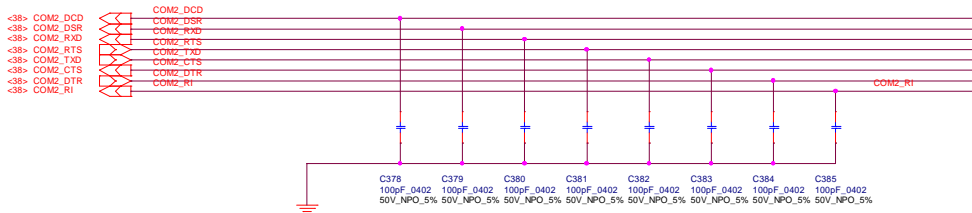


Title		
<Title>		
Size	Document Number	Rev
B	GEN13	0.1
Date:	Monday, November 20, 2023	Sheet 40 of 66

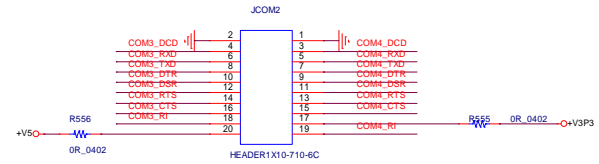
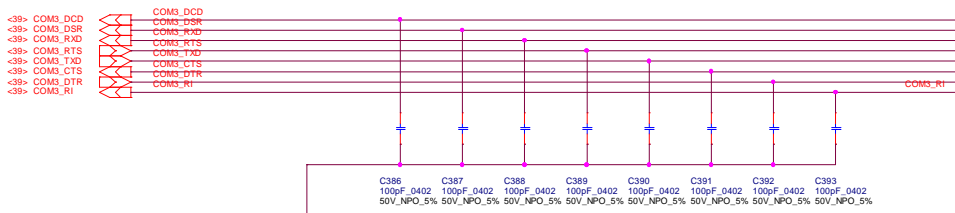
COM1 CONN



COM2 CONN



COM3 CONN



COM4 CONN

