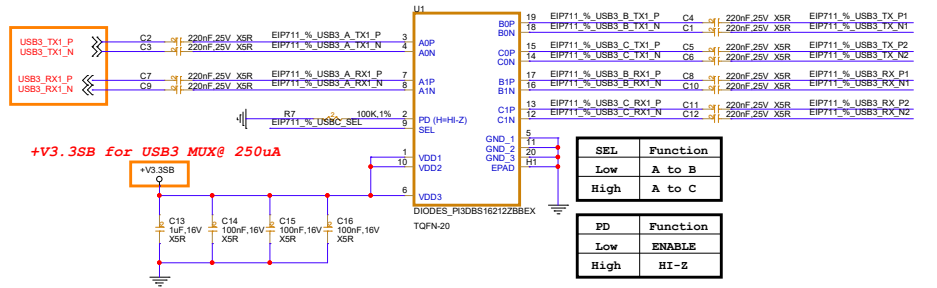
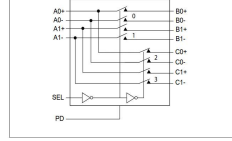


# EIP711-01 TYPEC\_CC CONTROL\_TUSB321\_V01

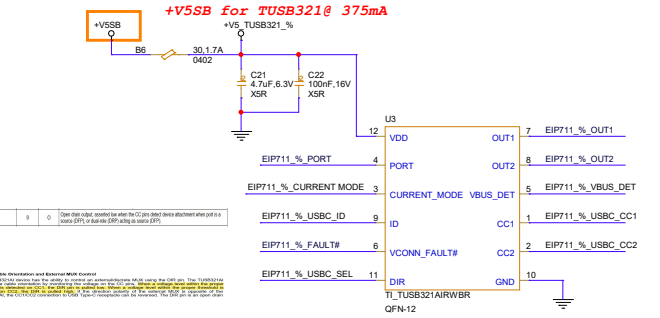
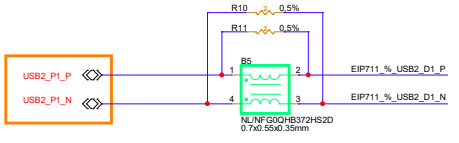
## Block Diagram



SEL	Function
Low	A to B
High	A to C

PD	Function
Low	ENABLE
High	HI-Z



## 10 Layout

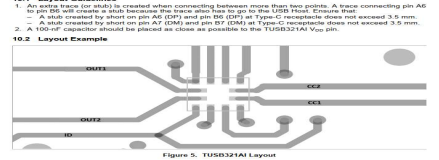
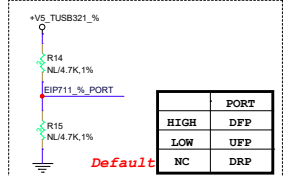
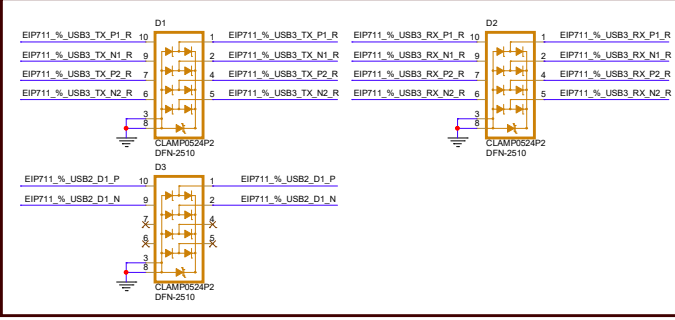
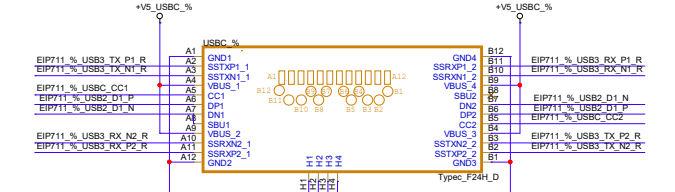
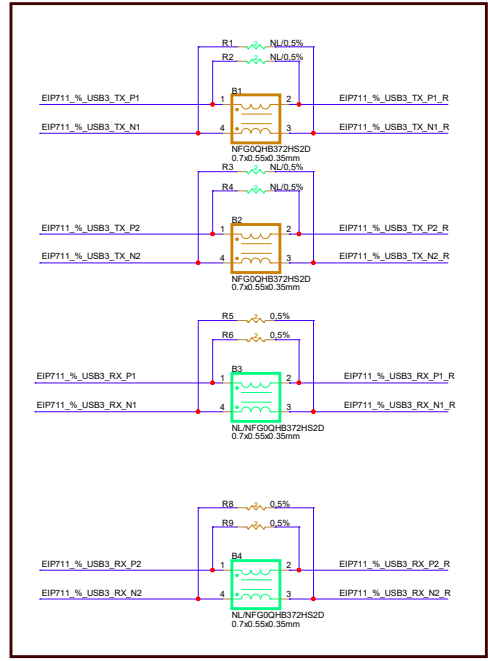
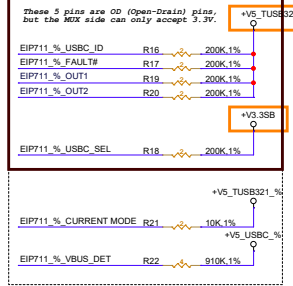


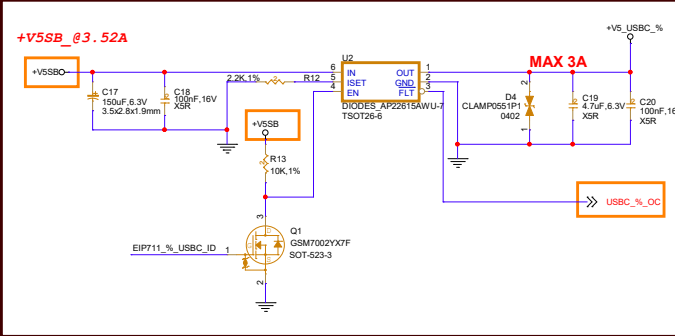
Figure 5. TUSB321AIWBR Layout



PORT	Function
HIGH	DFP
LOW	UFP
NC	DRP



Current Mode	Default
10k	3A
500k	1.5A
PD or NC	DeDefault



over operating free-air temperature range (unless otherwise noted)<sup>(1)</sup>

Supply voltage	V <sub>DD</sub>	MIN	MAX	UNIT
Control pins	CC1, CC2, PORT, CURRENT_MODE, ID, DIR, VCONN_FAULT#	-0.3	V <sub>DD</sub> + 0.3	V
Storage temperature T <sub>STG</sub>		-45	150	°C

(1) Stresses beyond those listed under Absolute Maximum Ratings may cause permanent damage to the device. These are stress ratings only, which do not imply functional operation of the device at these or any other conditions beyond those indicated under Recommended Operating Conditions. Exposure to absolute-maximum-rated conditions for extended periods may affect device reliability.

7-14 3214A01-01 Rev. 1.0 (2019-01-01) Copyright © 2019 Texas Instruments Incorporated. All rights reserved. This document is the property of Texas Instruments and is intended for use only in connection with the products and/or services described in this document. This document is provided "as is" without any warranty, express or implied, including any warranty of fitness for a particular purpose. Texas Instruments reserves the right to make changes to this document at any time without notice, and is not responsible for errors or omissions in this document. The information contained herein is subject to change without notice. The information contained herein is confidential and proprietary to Texas Instruments and its subsidiaries. All other trademarks are the property of their respective owners.