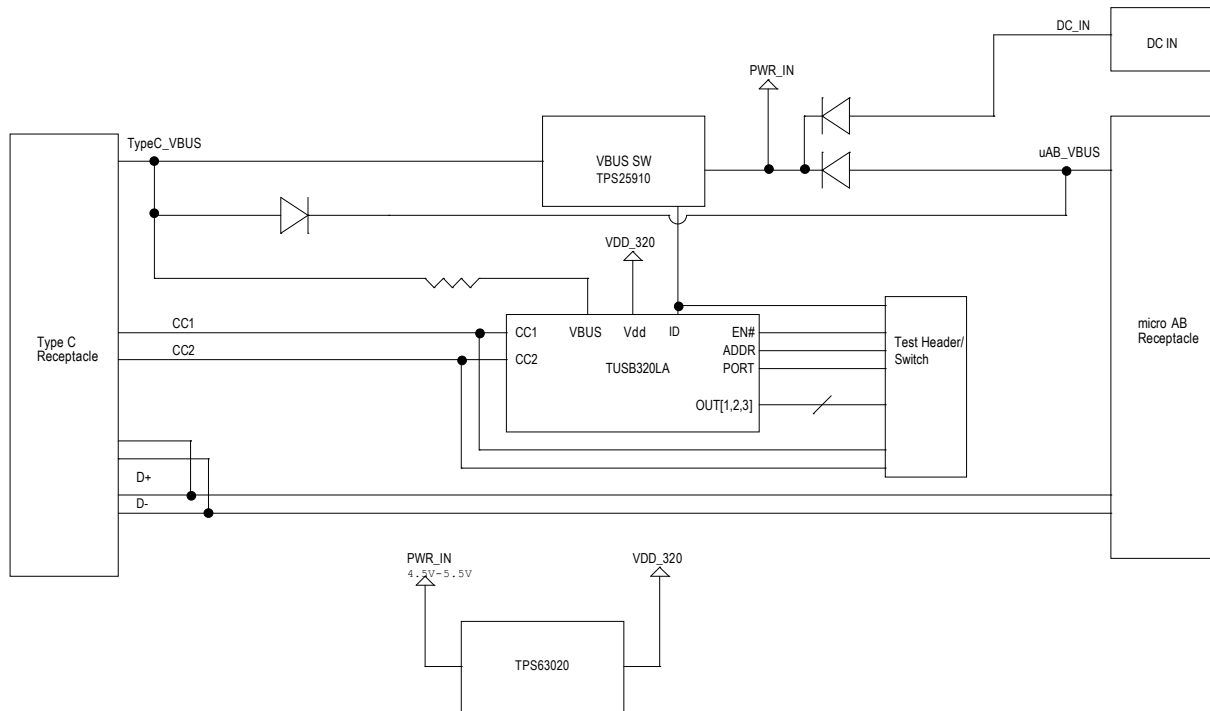
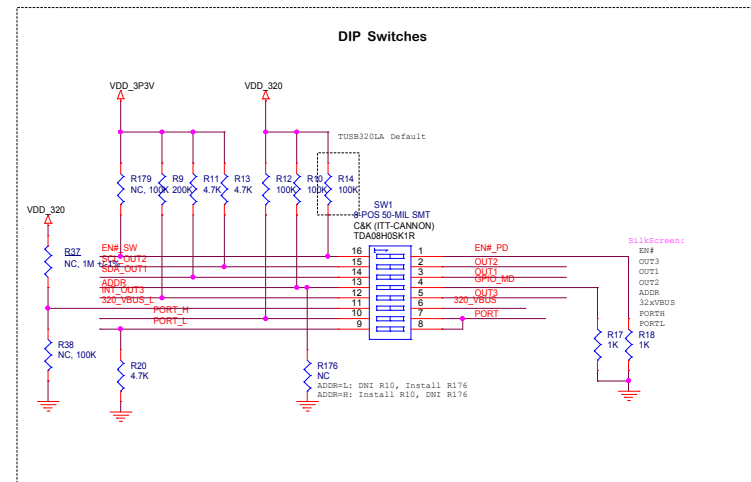
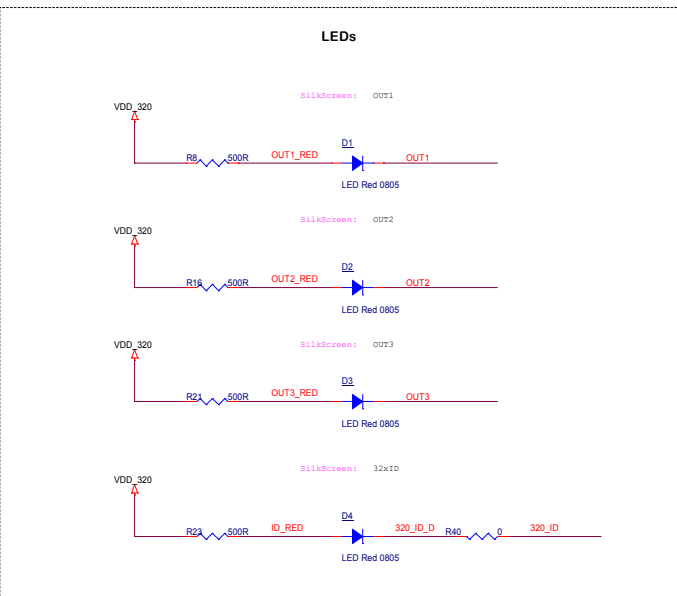
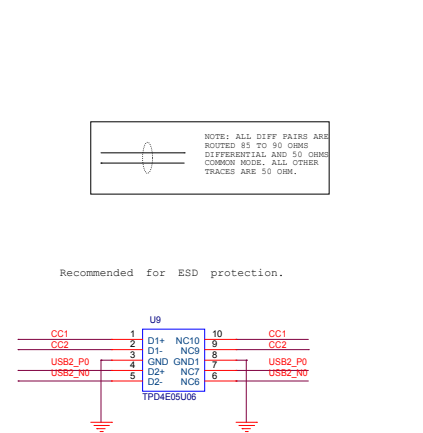
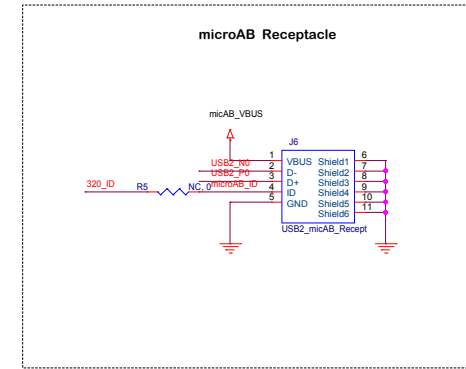
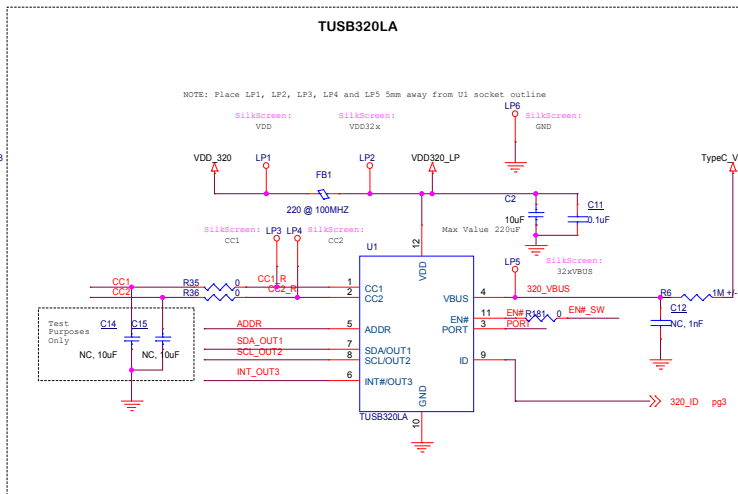
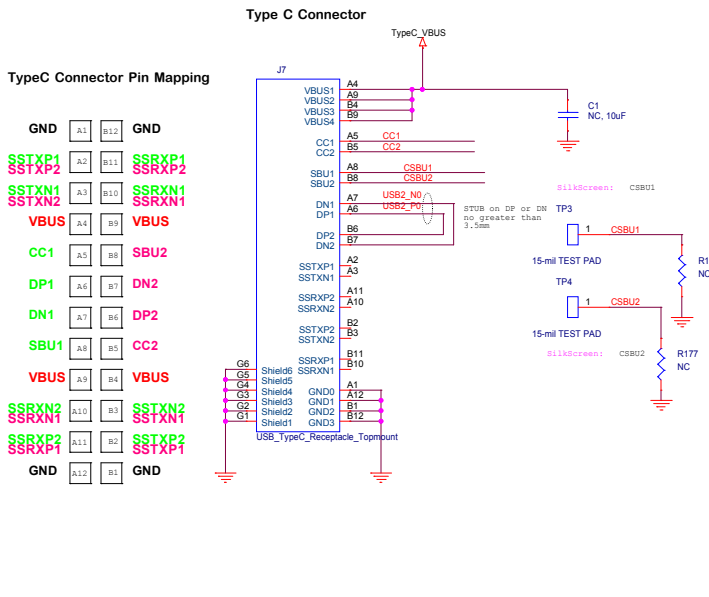
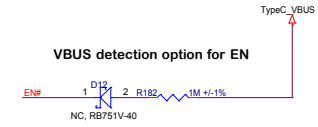
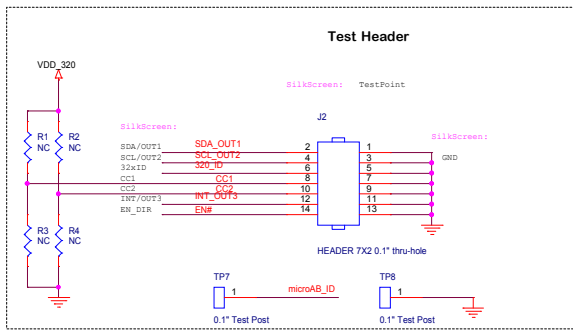
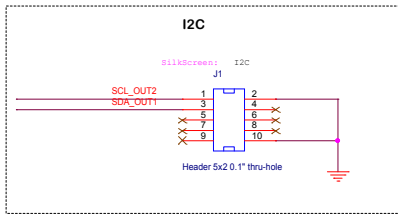
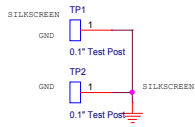
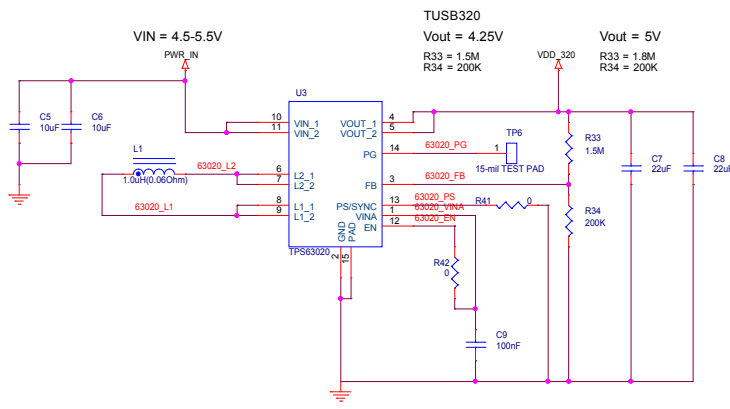
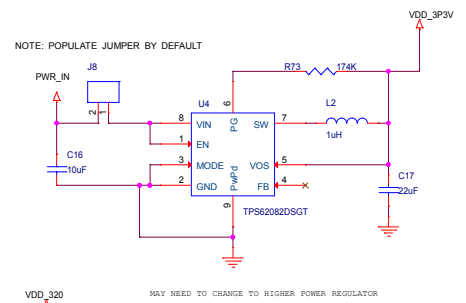
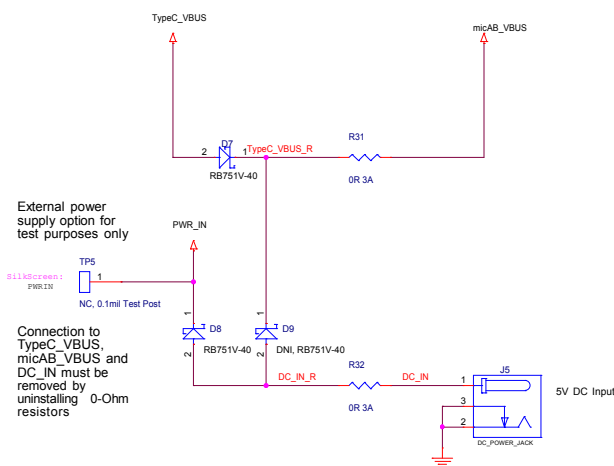
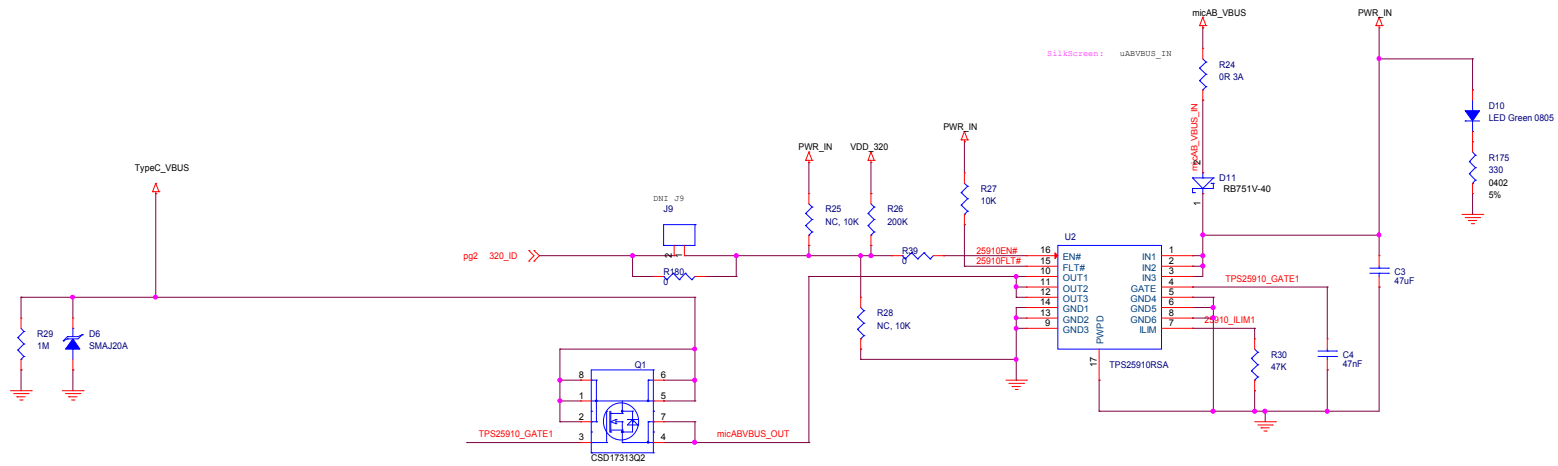


# TUSB320LA EVM





Title			TUSB320LA		
Size	Document Number		Rev		
C	<Doc>		A		
Date:	Thursday, October 15, 2015	Sheet	2	of	3



**TEXAS INSTRUMENTS**

TUSB320LA: Power

SIZE C	DWG NO:
SCALE: NONE	Monday, October 26, 2015
Sheet 3	of 3