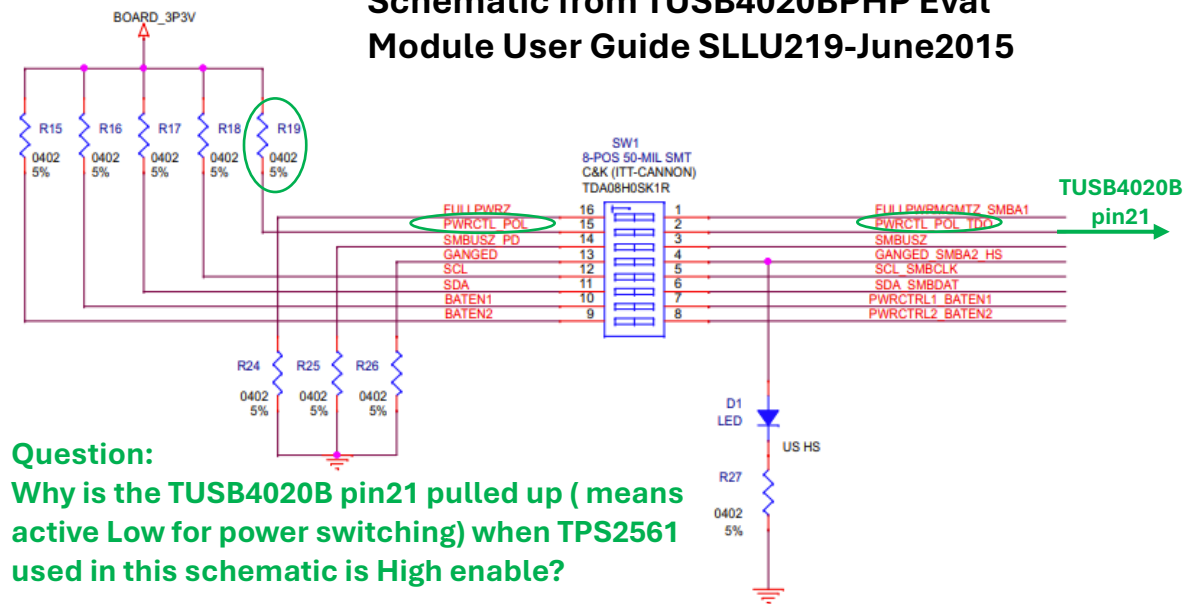


**Schematic from TUSB4020BPHP Eval  
Module User Guide SLLU219-June2015**



**Question:**  
Why is the TUSB4020B pin21 pulled up ( means active Low for power switching) when TPS2561 used in this schematic is High enable?