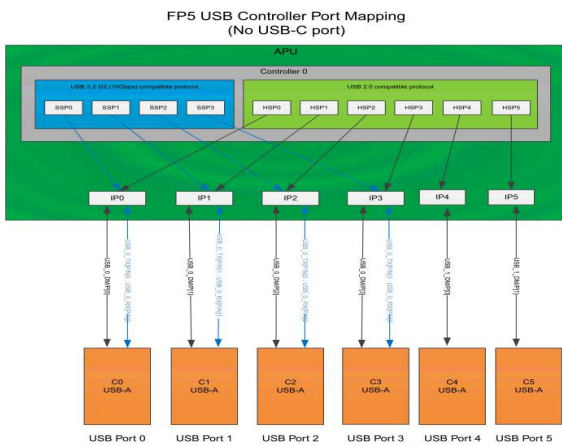
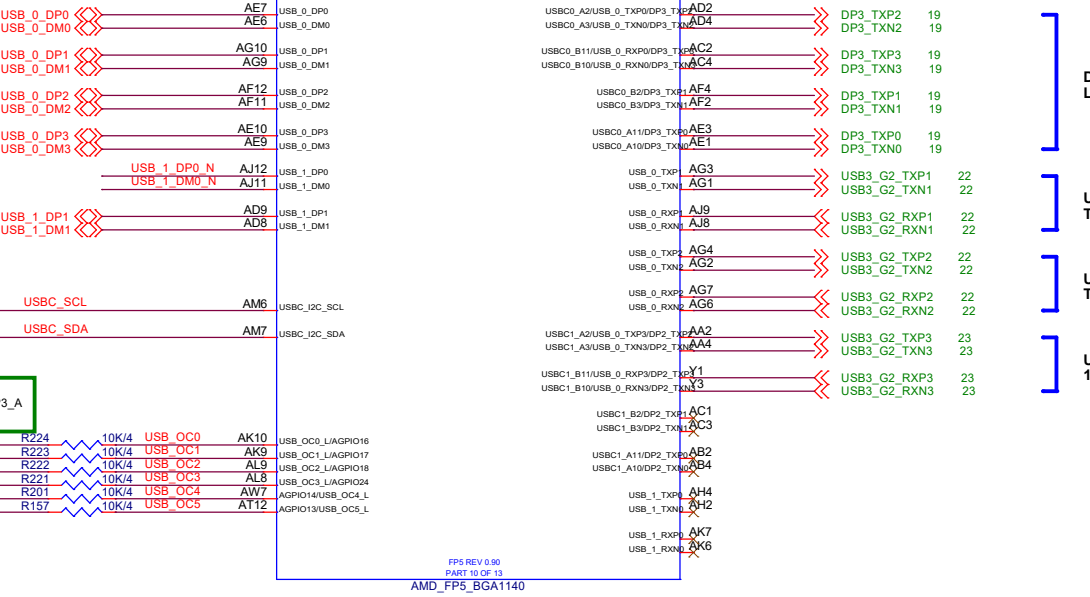
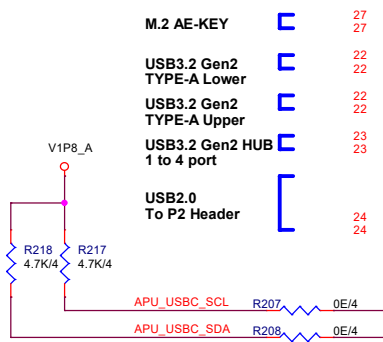
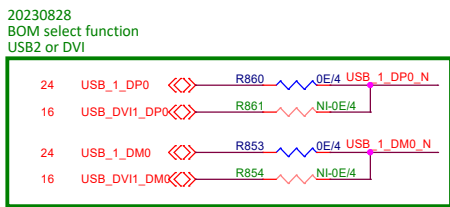
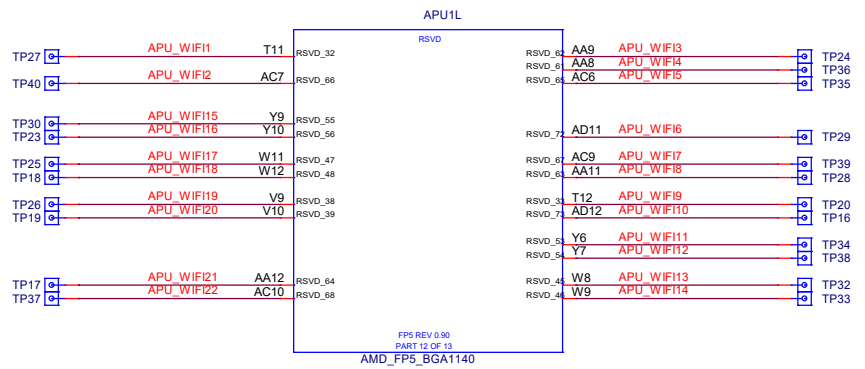
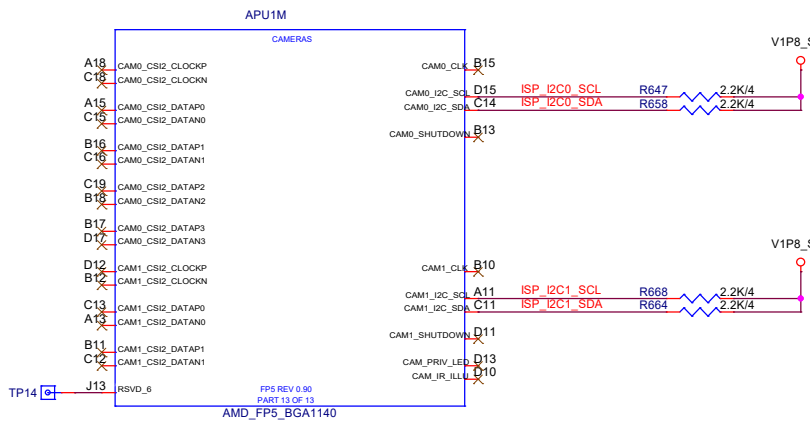


FP5 USB/WIFI/CAM



6F-3, No.738, Zhongzheng Rd., Zhonghe Dist.,
New Taipei City 235, Taiwan (R.O.C.)
Tel: +886-2-8228-0101
Fax: +886-2-8228-0100
http://www.sintronics.com

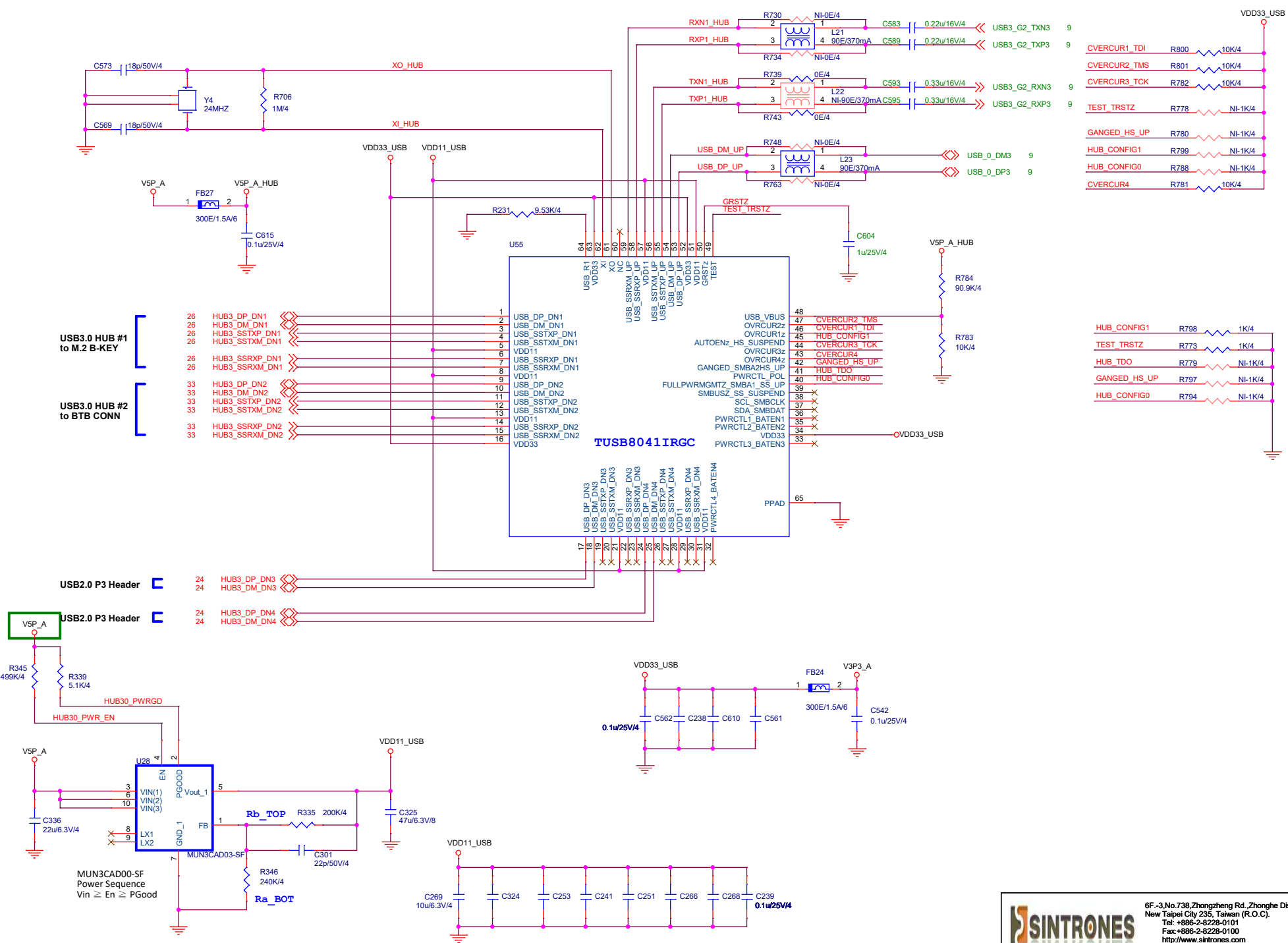
SINTRONES

Title: AMB-5100G

Size: A3 Document Number: **FP5 USB/WIFI/CAM** Rev: V0.4

Date: Tuesday, November 07, 2023 Sheet: 9 of 45

Figure 99. FP5 R1000 and R2312 Processor USB Controller to Port Mapping—No USB-C Connector



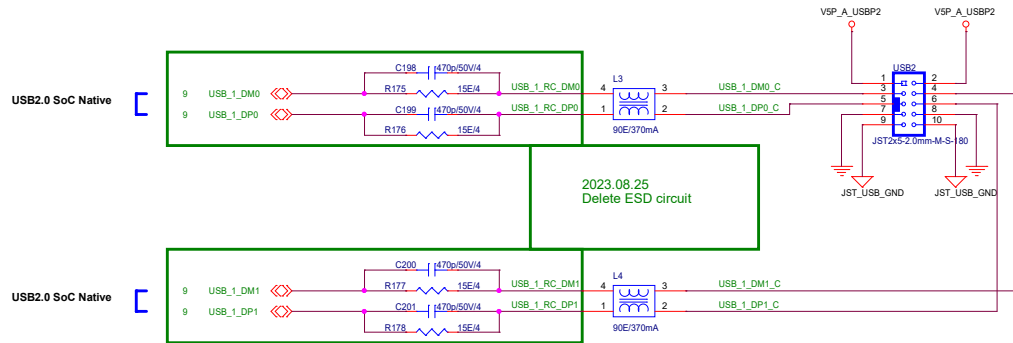
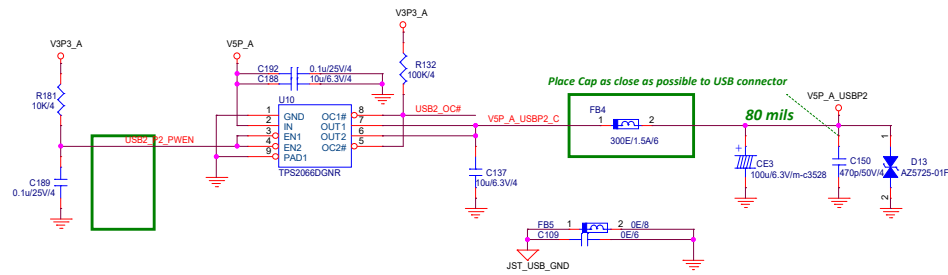
SINTRONES

6F-3, No.738, Zhongzheng Rd., Zhonghe Dist.,
 New Taipei City 235, Taiwan (R.O.C.)
 Tel: +886-2-8228-0101
 Fax: +886-2-8228-0100
 http://www.sintrones.com

File: SMB-2613

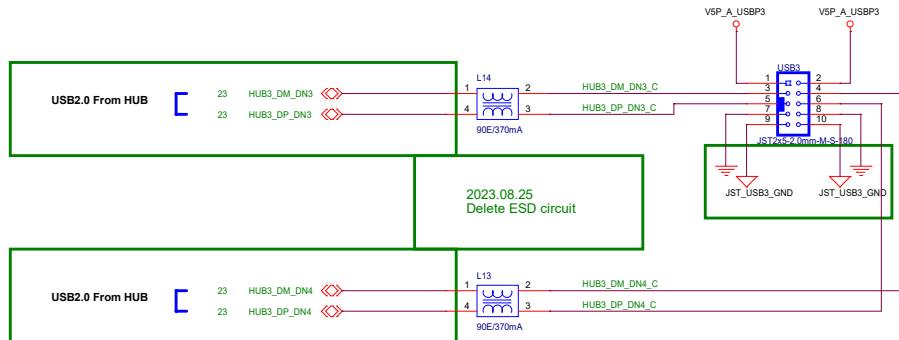
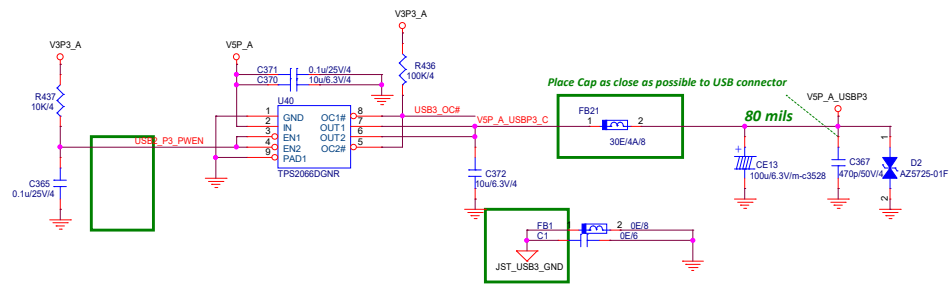
Size: Custom Document Number: **USB3.0 HUB(TUSB8041IRGC)** Rev: V0.1

Date: Wednesday, November 08, 2023 Sheet: 23 of 45

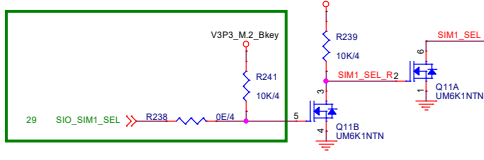
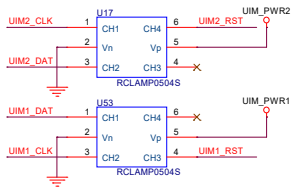
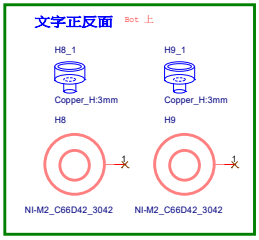
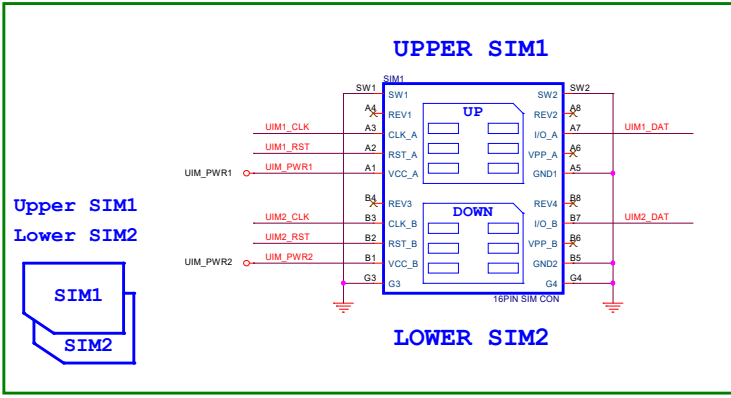
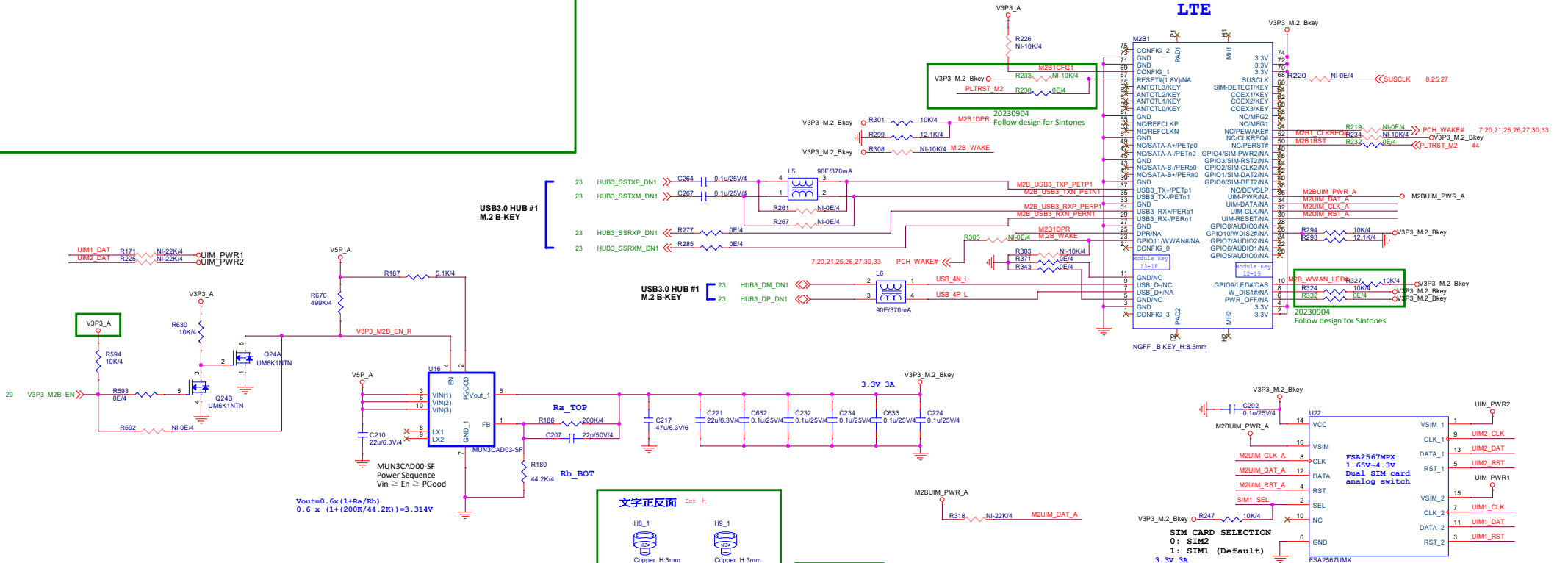


USB3_JST

USB3_JST



20230830
Delete switch

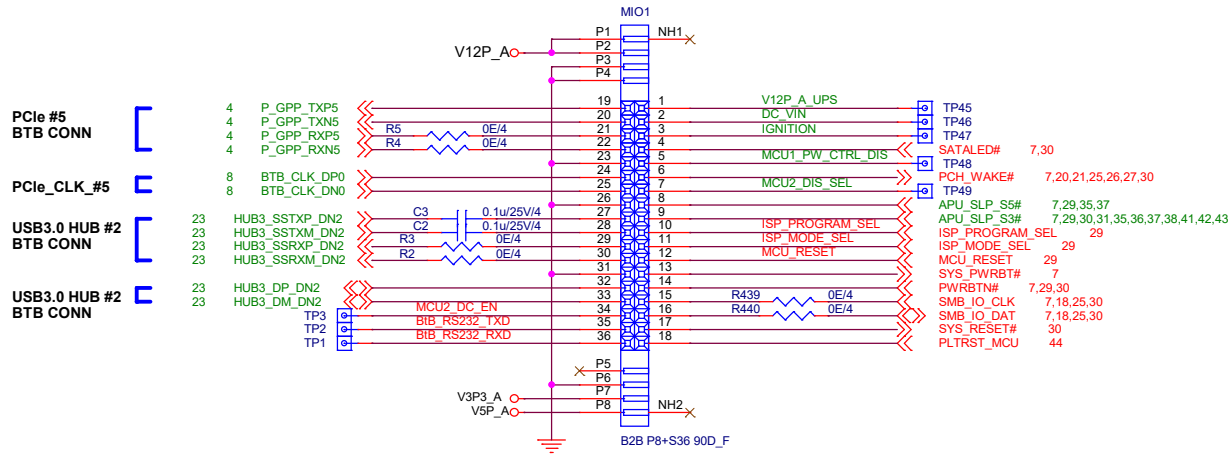


SINTRONES
6F-3, No.738, Zhongzheng Rd., Zhonghe Dist.,
New Taipei City 235, Taiwan (R.O.C.)
Tel: +886-2-8228-0101
Fax: +886-2-8228-0100
http://www.sintronics.com

File: **SMB-2613**
Size: Custom Document Number: **P26 B key & SIM Card*2** Rev: **V0.1**
Date: **Tuesday, November 07, 2023** Sheet: **26** of **45**

BTB to Power

PN: SMT AU 母座 Har flex Hybrid15858362601000 (SMB-2612)



	6F.-3, No. 738, Zhongzheng Rd., Zhonghe Dist., New Taipei City 235, Taiwan (R.O.C.) Tel: +886-2-8228-0101 Fax: +886-2-8228-0100 http://www.sintrones.com	
	Title: SMB-2613	Document Number: P34 BTB connector_(MB)
Date: Tuesday, November 07, 2023	Sheet: 33 of 45	