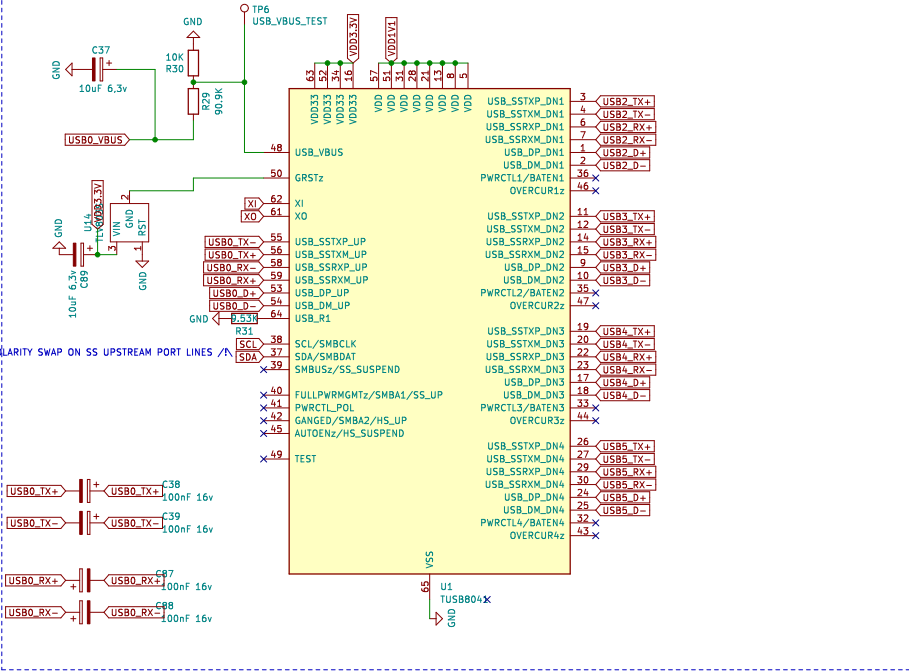
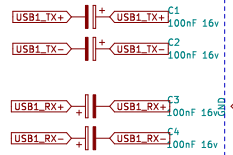
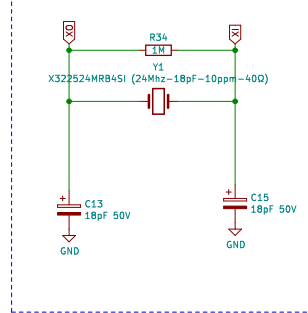


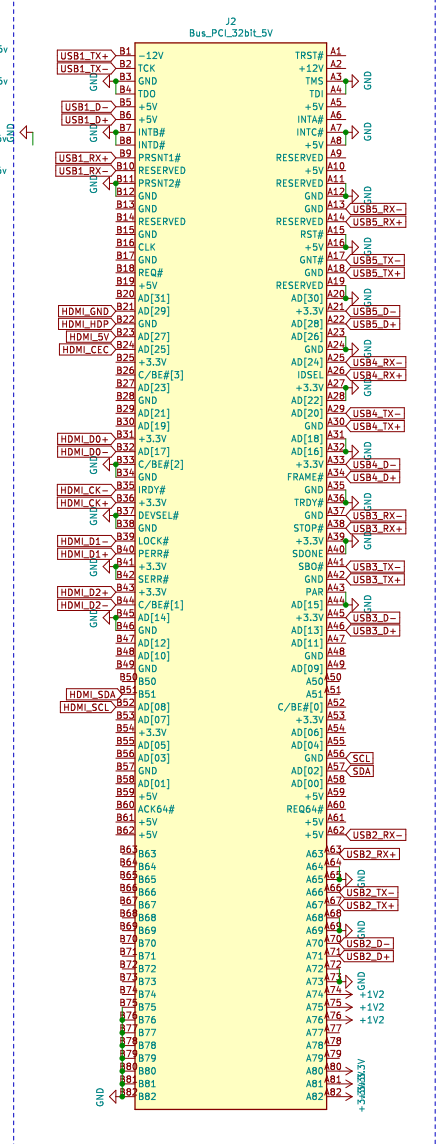
TUSB8041 TL USB_HUB IC



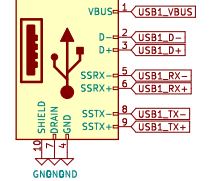
USB_CRYSTAL_CIRCUIT



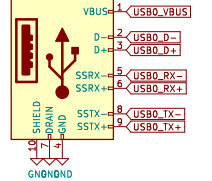
PCIEX64_CONNECTOR



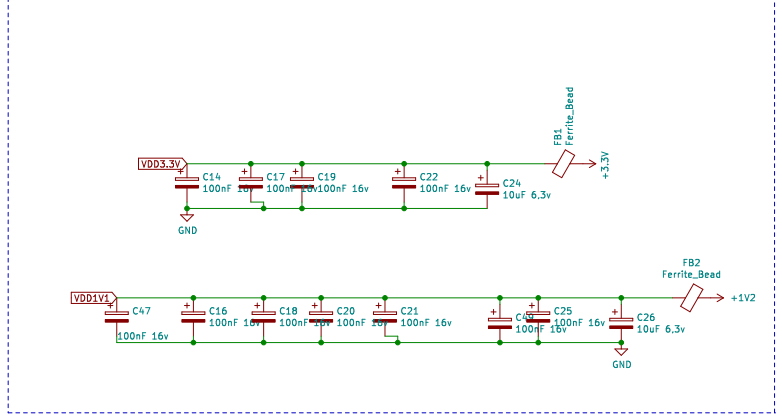
J1 USB3_A



J4 USB3_A



USB_HUB_POWER_RAIS



2000-1-2-41-00-BK-dk_USB-DVI-HDMI-Connectors-Test-Project-2-rescue

J3

