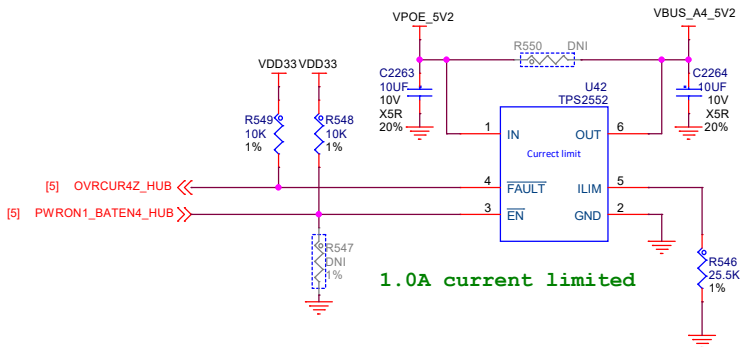
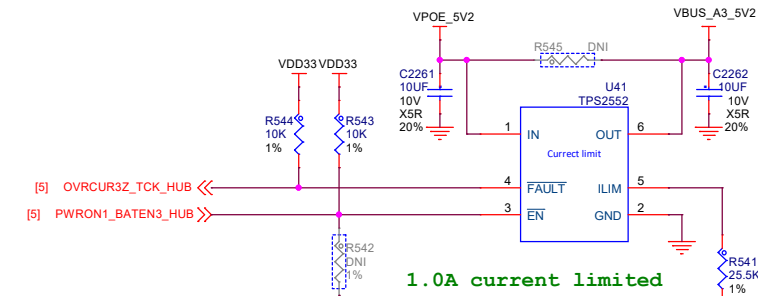
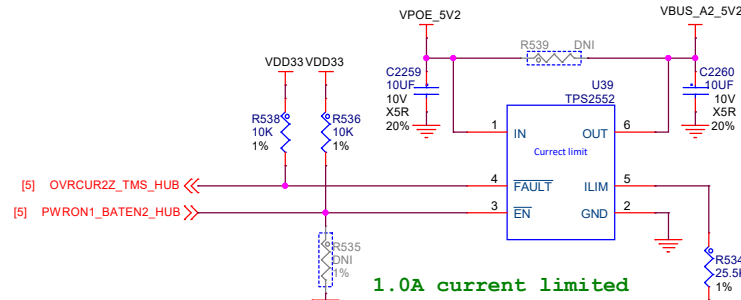
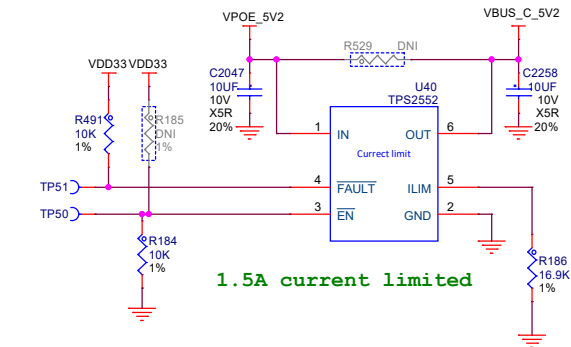
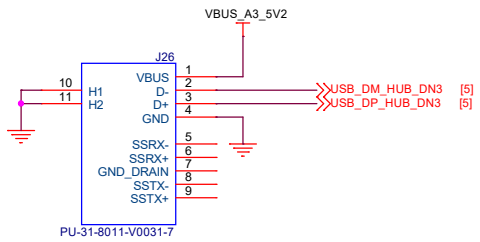
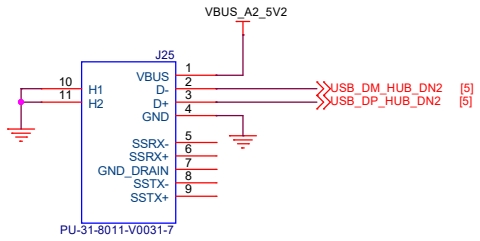
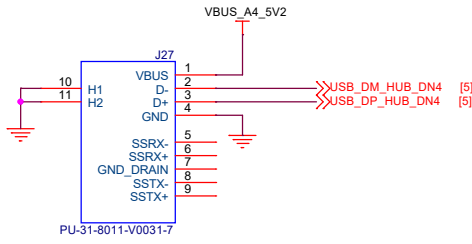
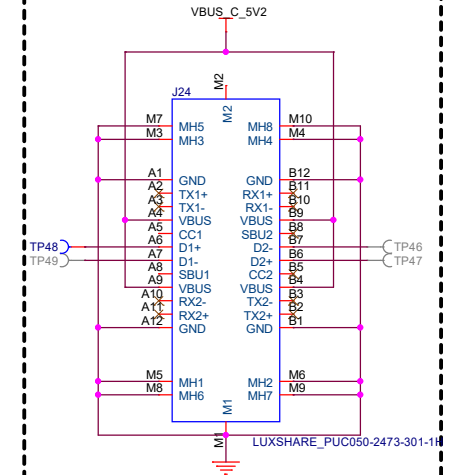


ASSY		UBIQUITI NETWORKS		Confidential
Design		Schematic		
UNIFI PAY USB HUB MAIN BAORD REV01_WORKING				
Title				
05_USB SWITCH AND USB HUB				
Size	Document Number			Rev
B	111-03173			01
Date:	Saturday, June 20, 2020			Sheet 5 of 7

USB TYPE-A



USB TYPE-C



SOLDERING PAD

VBUS



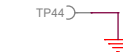
D-



D+



GND



ASSY

	UBIQUITI NETWORKS	Confidential Design Schematic UNIFI PAY USB HUB MAIN BAORD REV01_WORKING03
	Title: 06_USB CONNECTOR	
Size: A3	Document Number: 111-03173	Rev: 01
Date: Saturday, June 20, 2020	Sheet: 6	of 7