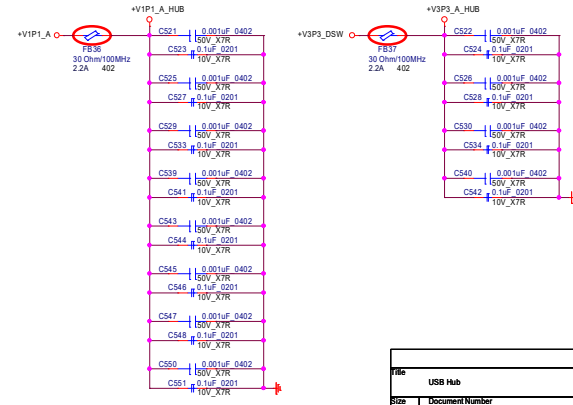
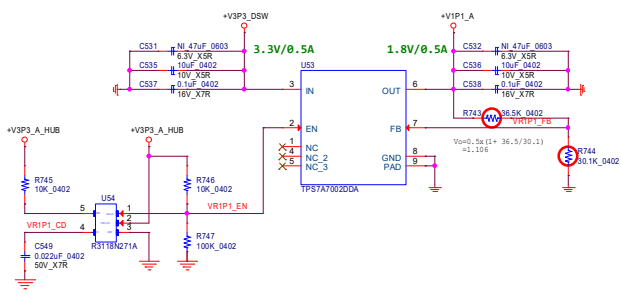


type-A



File	USB Hub	
Size	Document Number	Rev
A3	GEN13	0.1
Date:	Tuesday, February 06, 2024	Sheet 52 of 66