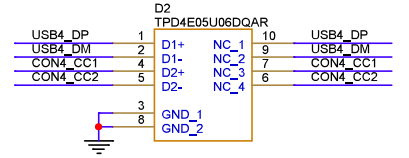
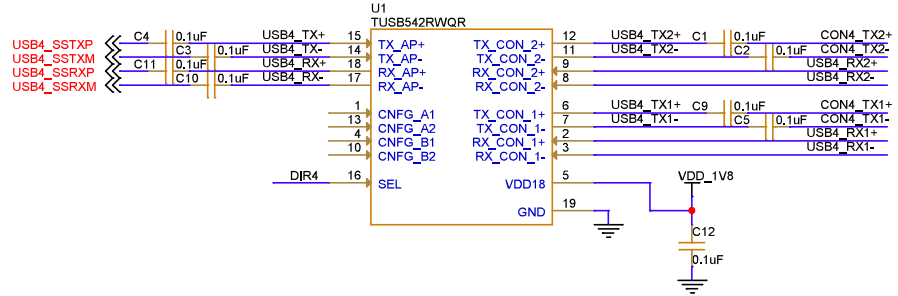
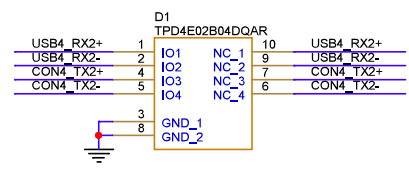
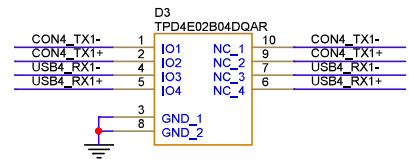
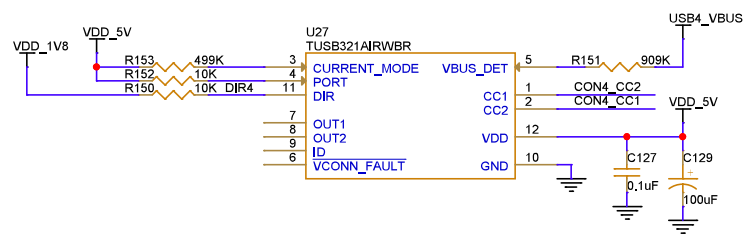
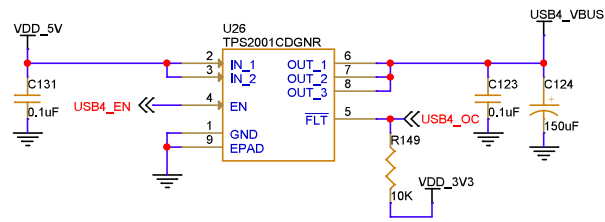
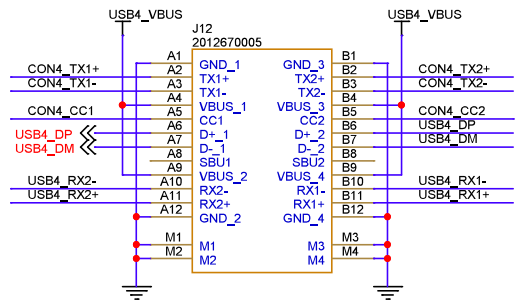
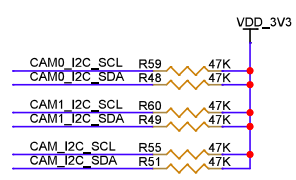
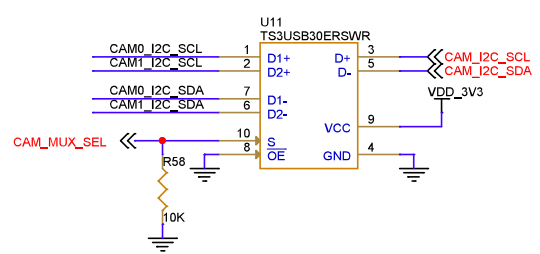
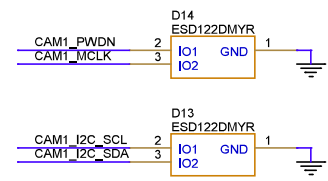
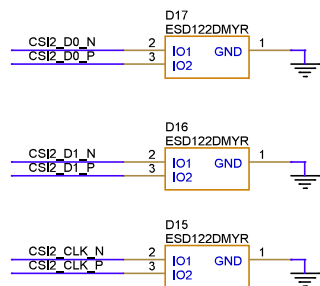
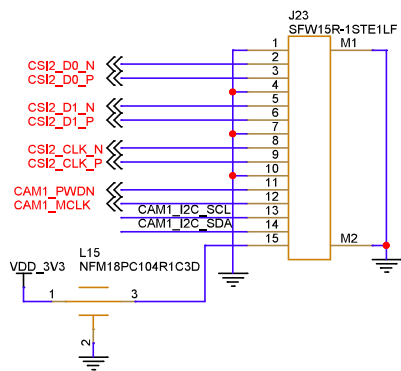
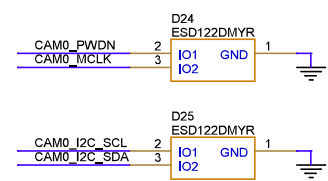
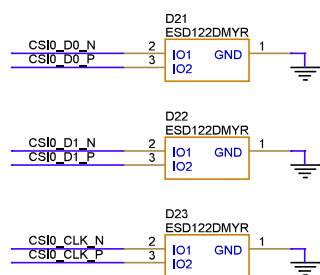
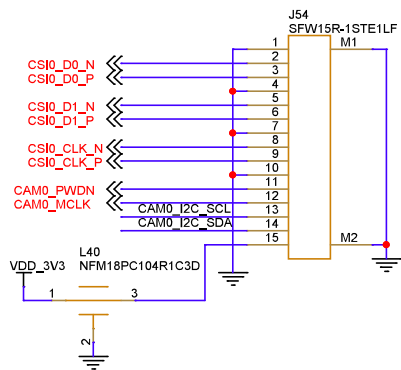


Daiikoku Innovations LLP		
Title		
USB HUB		
Size	Document Number	Rev
A4	DKK-0142223-PDB-DIGITAL-V1.0	1.0
Date:	Wednesday, May 03, 2023	Sheet 3 of 19



Daikoku Innovations LLP			
Title			
USB4 TYPE C			
Size	Document Number	Rev	
A4	DKK-0142223-PDB-DIGITAL-V1.0	1.0	
Date:	Wednesday, May 03, 2023	Sheet	7 of 19



Dalkoku Innovations LLP		
Title CAMERA		
Size A4	Document Number DKK-0142223-PDB-DIGITAL-V1.0	Rev 1.0
Date: Wednesday, May 03, 2023	Sheet 9	of 19