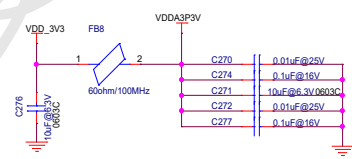
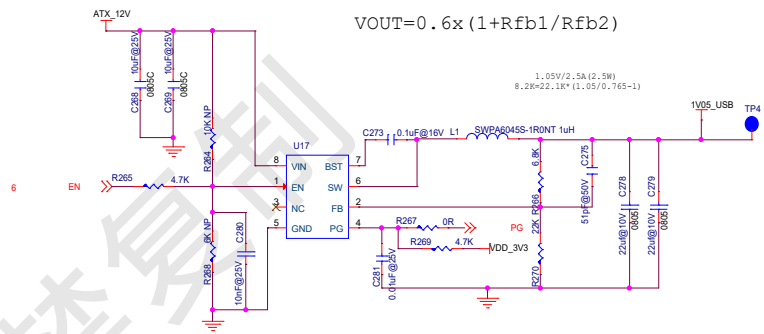
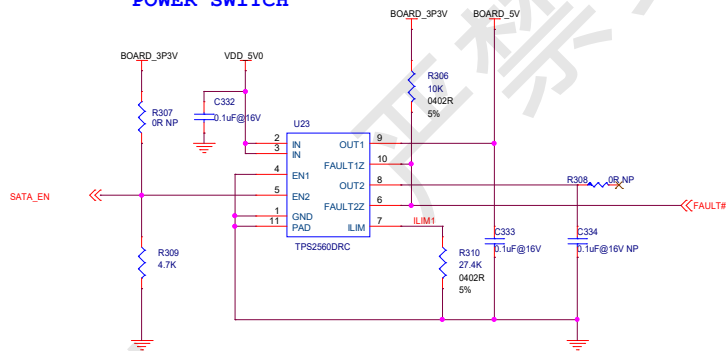


$V_{OUT} = 0.6 \times (1 + R_{fb1} / R_{fb2})$

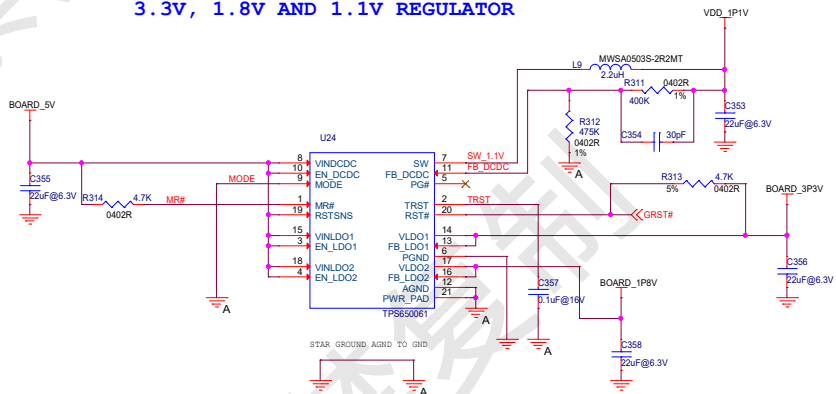


BoardName		COME631_V100	
Title	020 [IO] USB_720201	AUTHOR	XA
Size	C		
Date:	Friday, August 25, 2023	Sheet	20 of 34

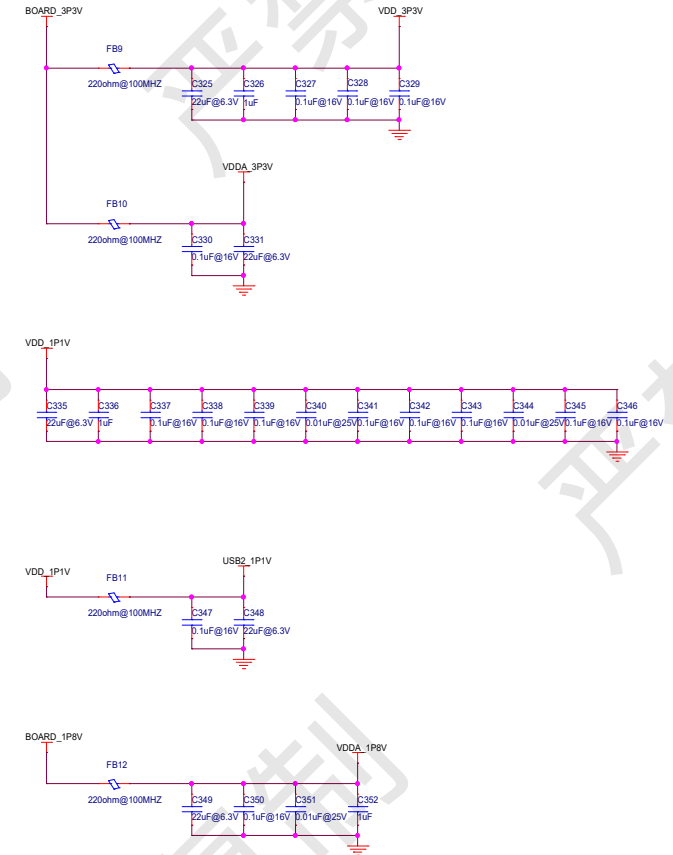
POWER SWITCH



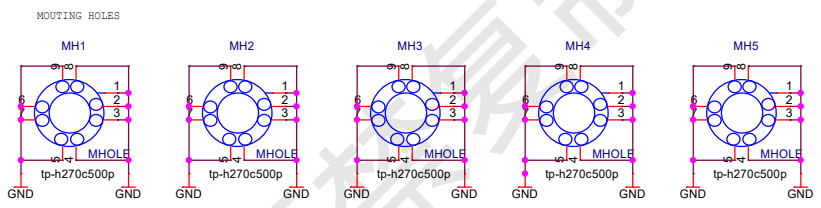
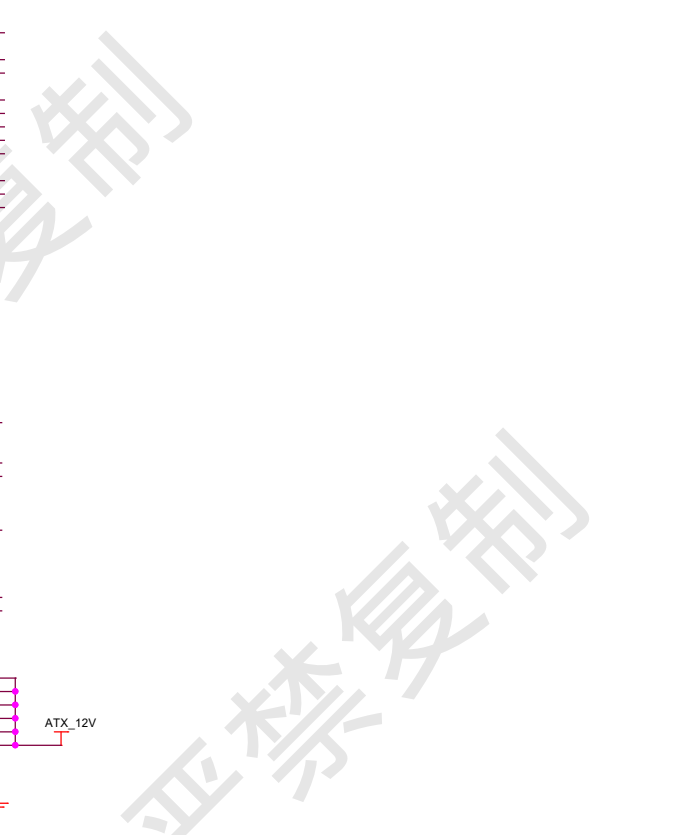
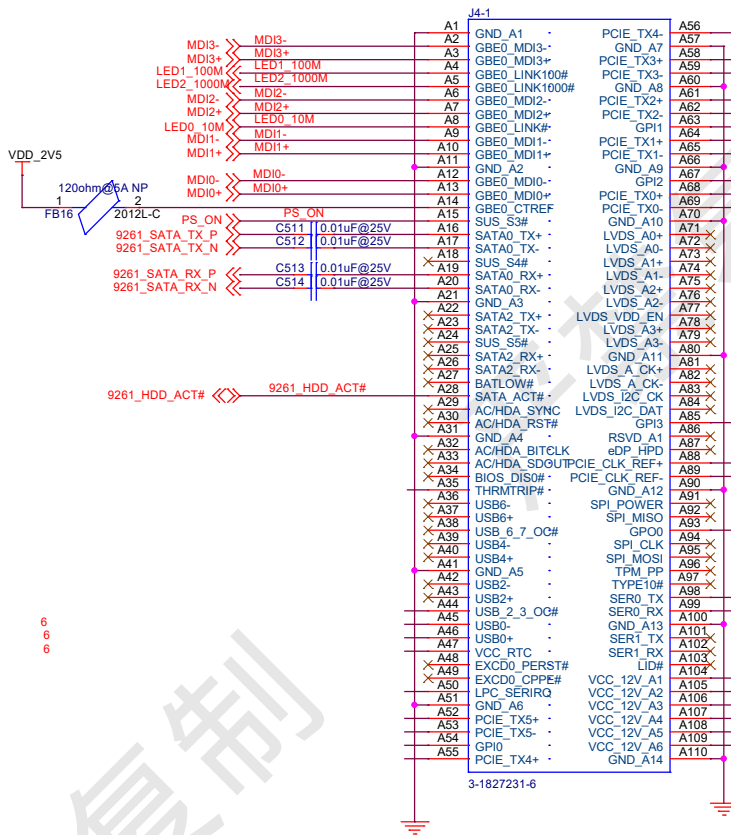
3.3V, 1.8V AND 1.1V REGULATOR



TUSB9261 DECOUPLING



BoardName	COM631_V110	
Title	024 [SATA] TUSB9261 PWR&CAP	AUTHOR: XA
Size	C	
Date:	Friday, August 25, 2023	Sheet 24 of 34



BoardName		COME831_V1N0	
Title	033 [CON] COMEA_B	AUTHOR	XA
Size	A3		
Date:	Friday, August 25, 2023	Sheet	33 of 34