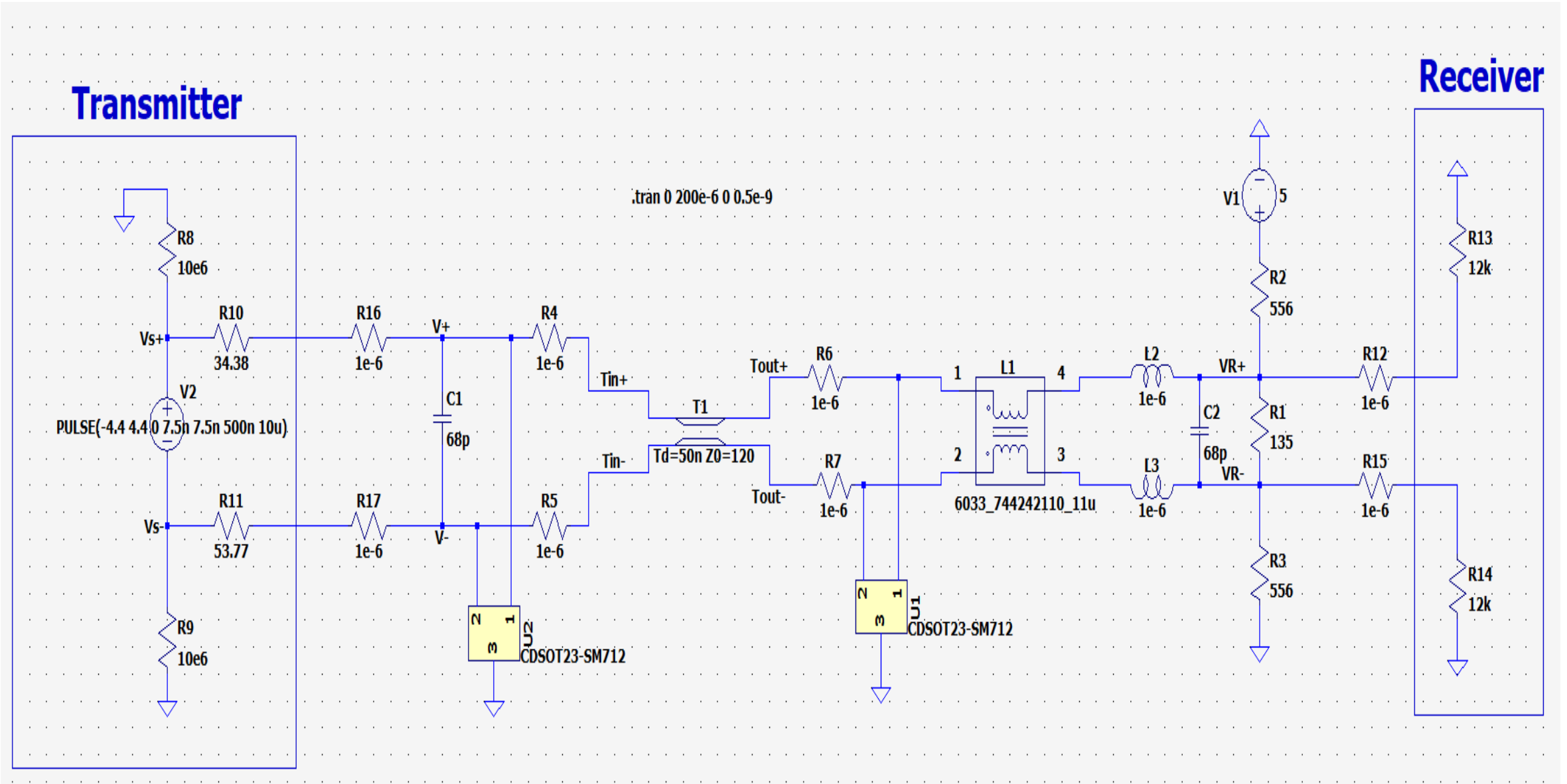
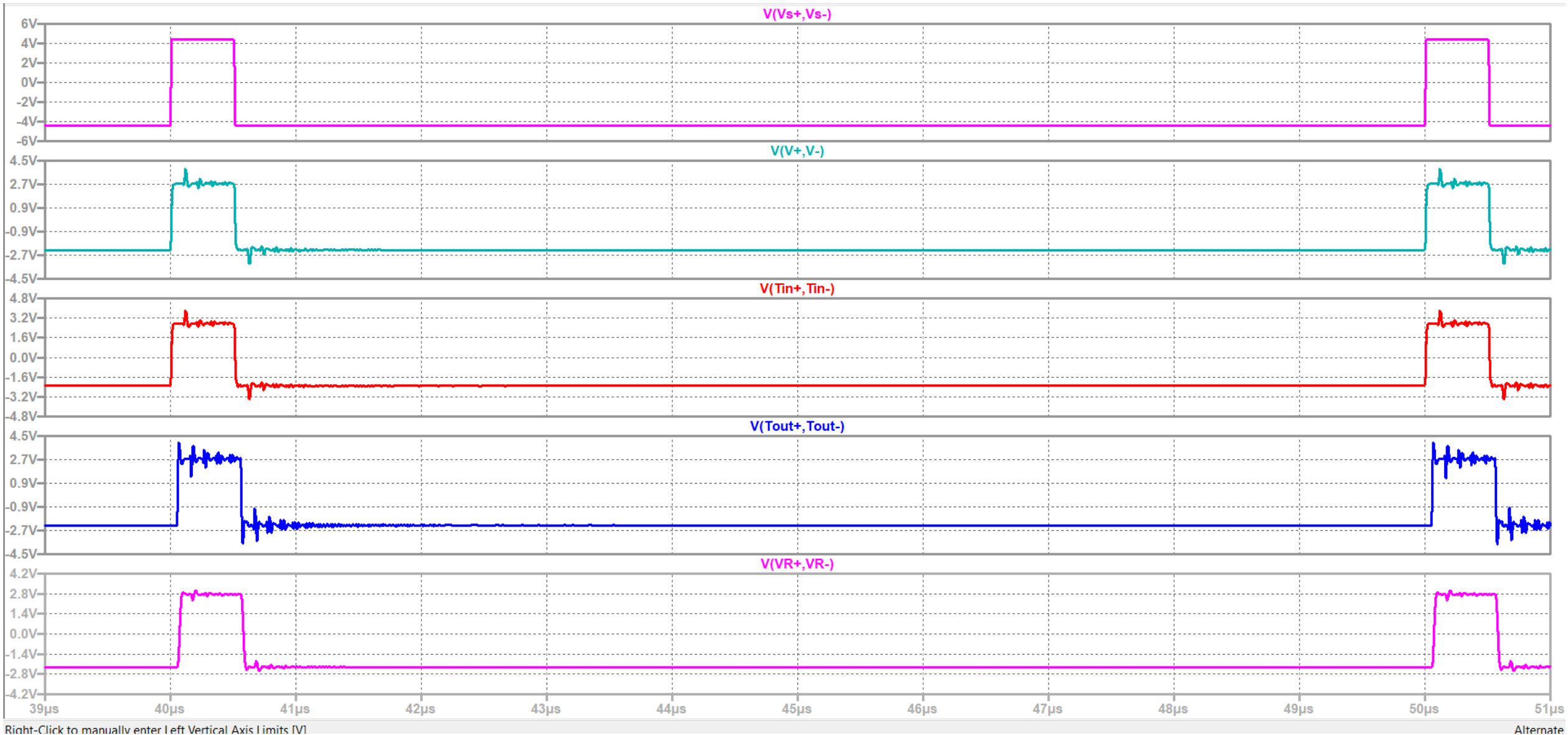


Configuration - 1



Configuration - 1

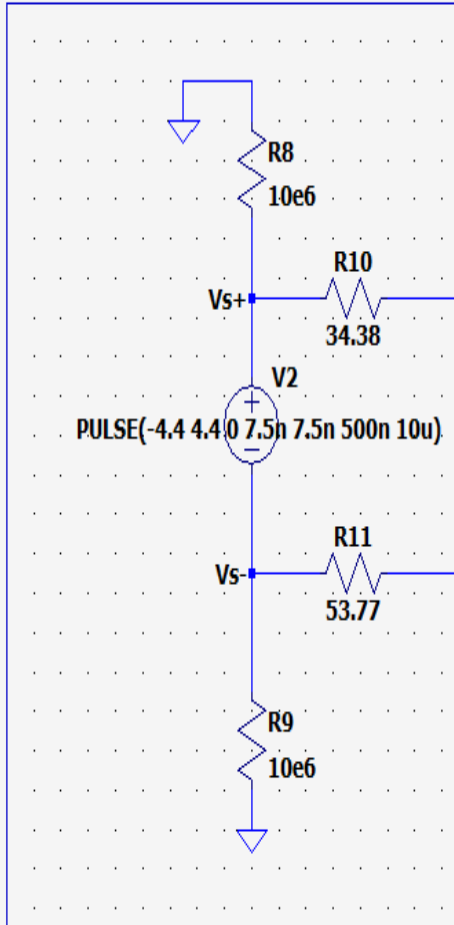


Right-Click to manually enter Left Vertical Axis Limits (V)

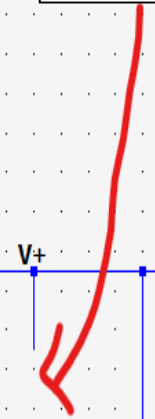
Alternate

Configuration - 2

Transmitter



Removed



.tran 0 200e-6 0 0.5e-9

V+
V-

U2
CDSOT23-SM712

R4
1e-6
R5
1e-6

Tin+
Tin-

Td=50n Z0=120

Tout+
Tout-

R6
1e-6
R7
1e-6

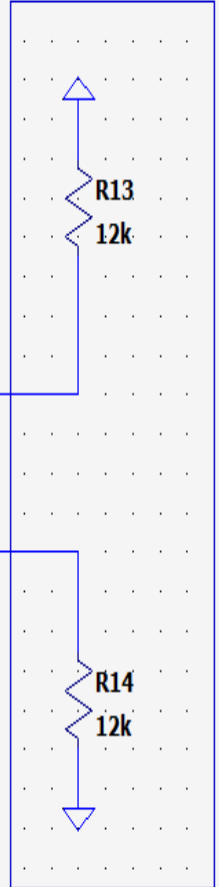
U1
CDSOT23-SM712

6033_744242110_11u

L1
L2
L3

V1
5
R2
556
VR+
R1
135
VR-
R3
556

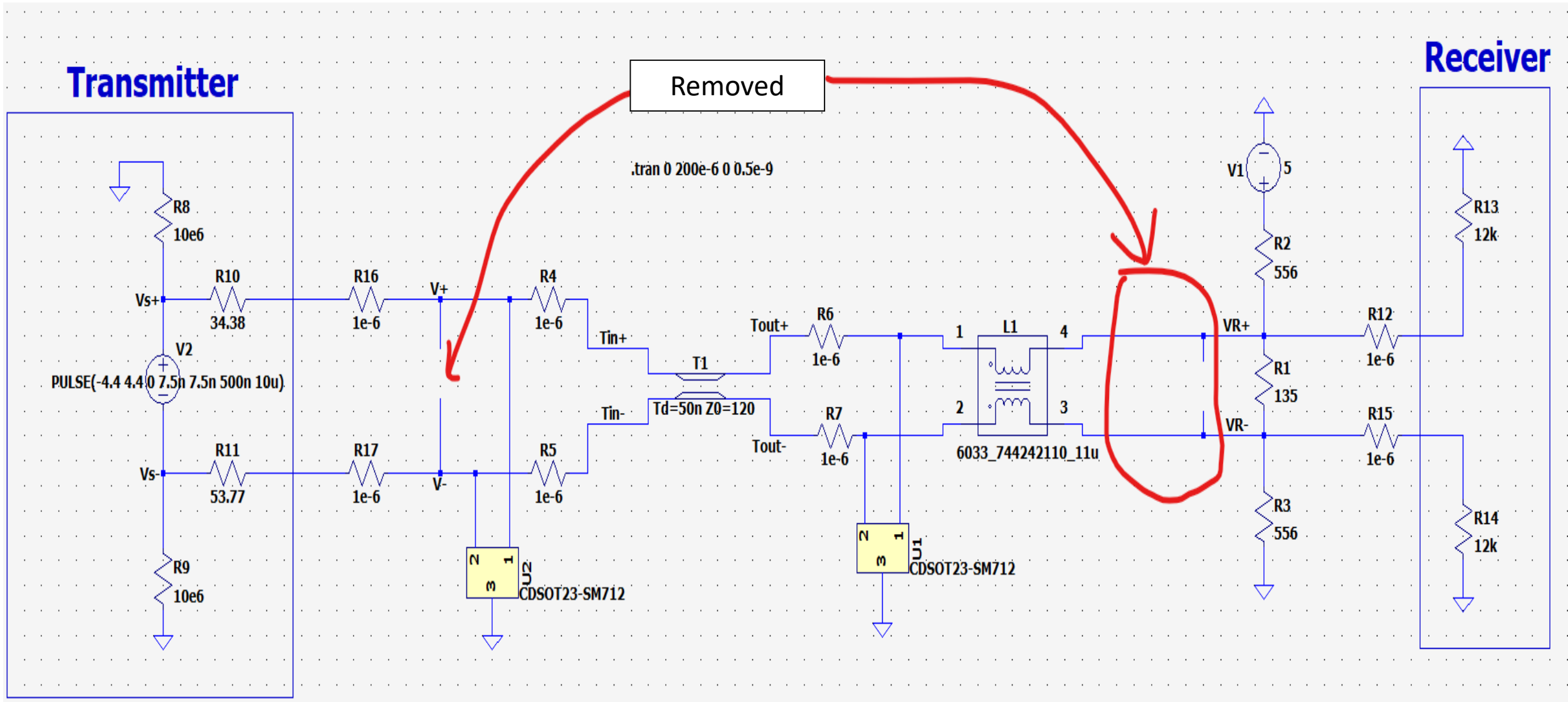
Receiver



Configuration - 2



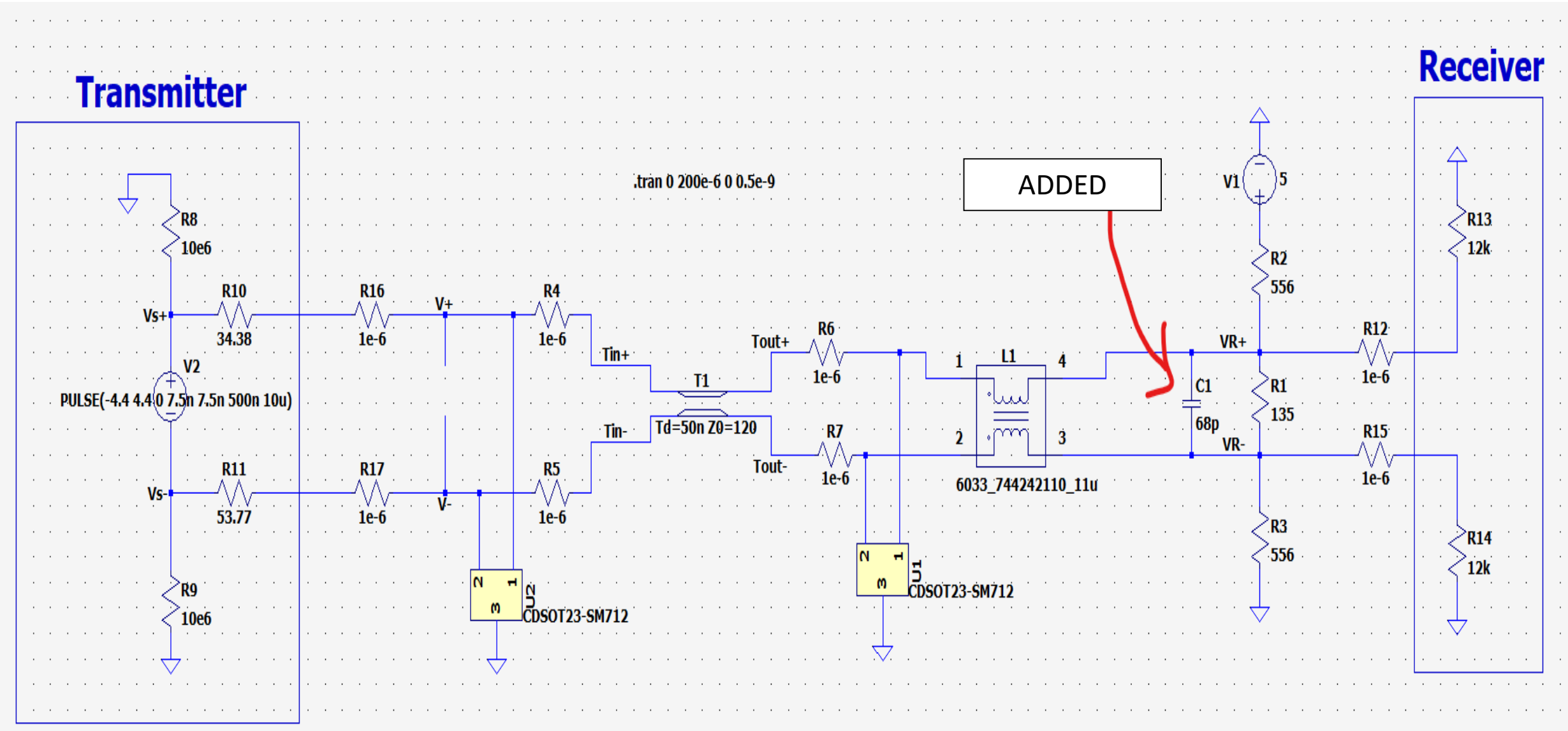
Configuration - 3



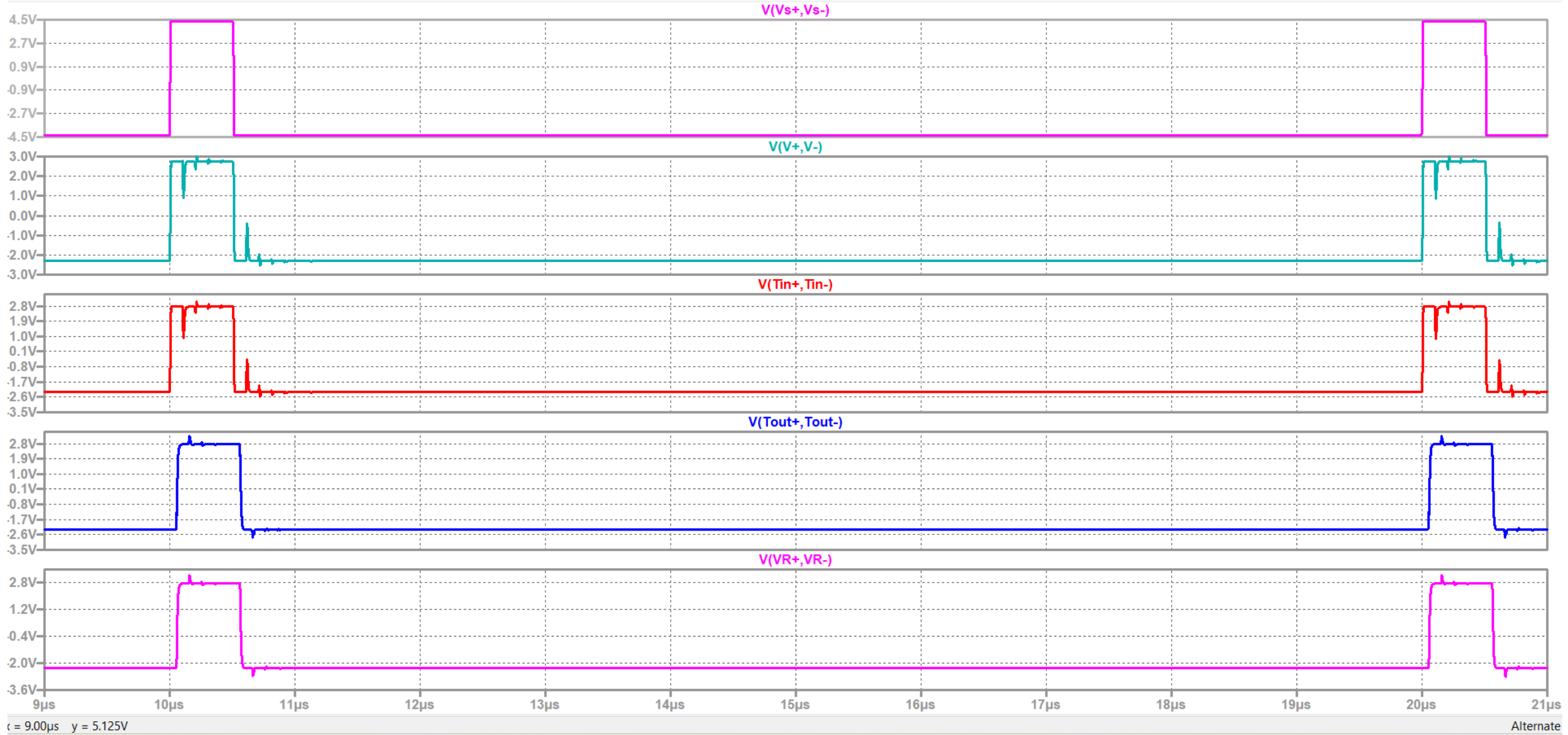
Configuration - 3



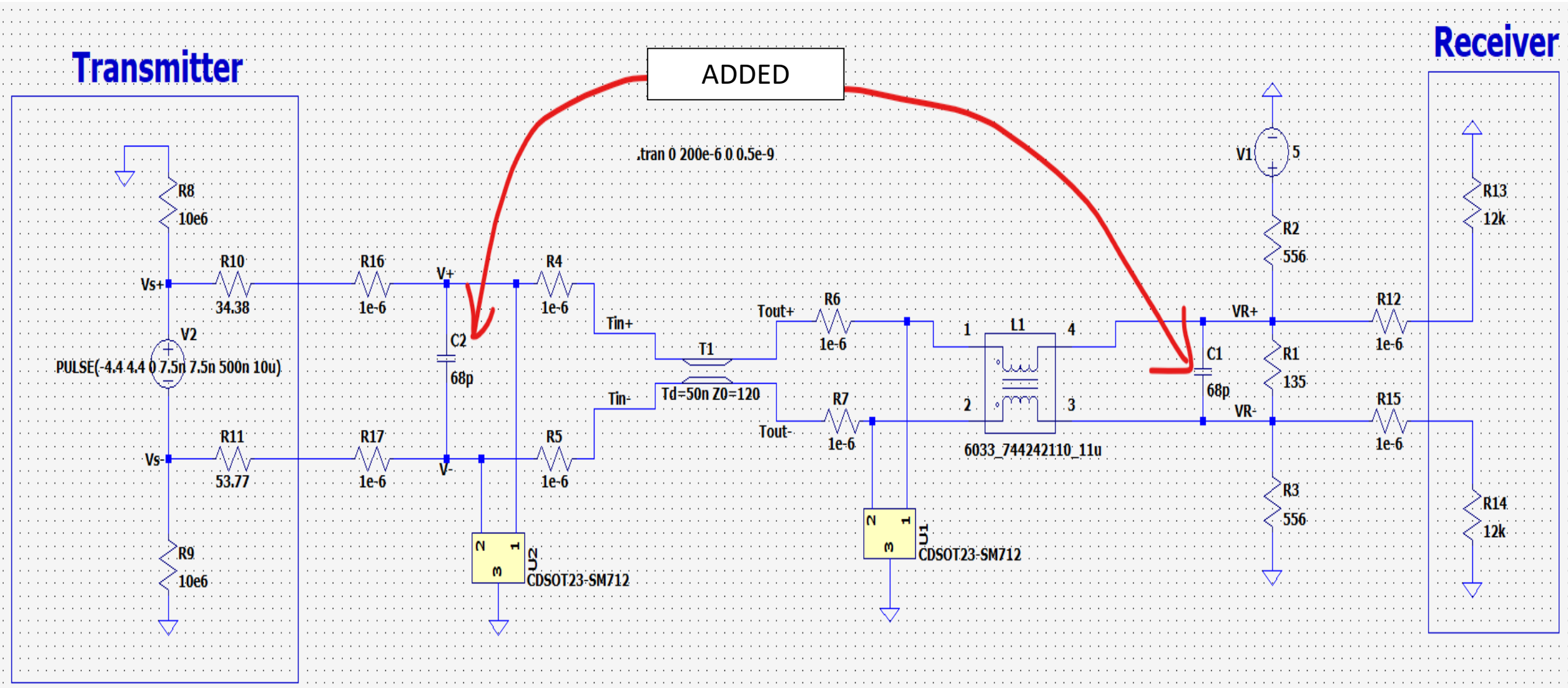
Configuration - 4



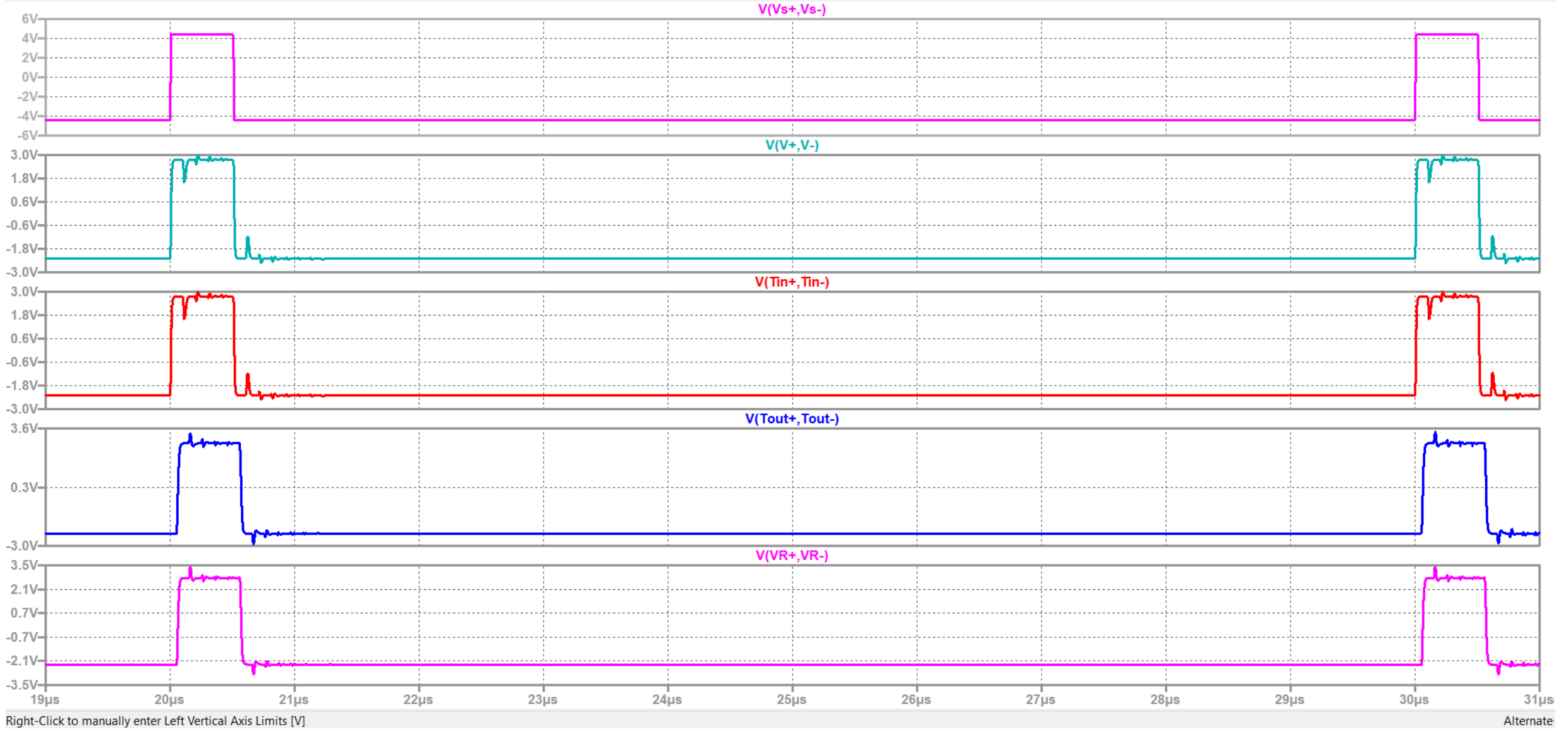
Configuration - 4



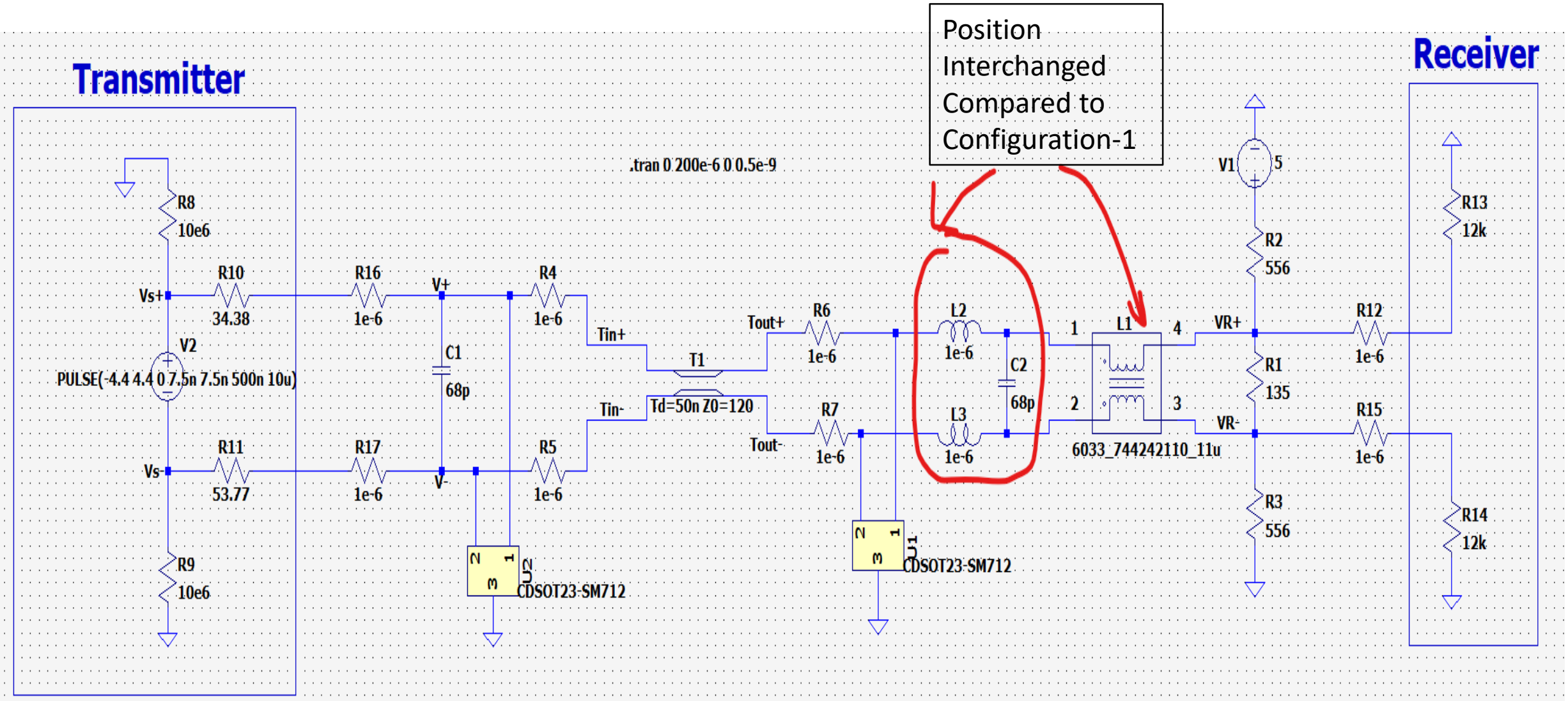
Configuration - 5



Configuration - 5



Configuration - 6



Configuration - 6

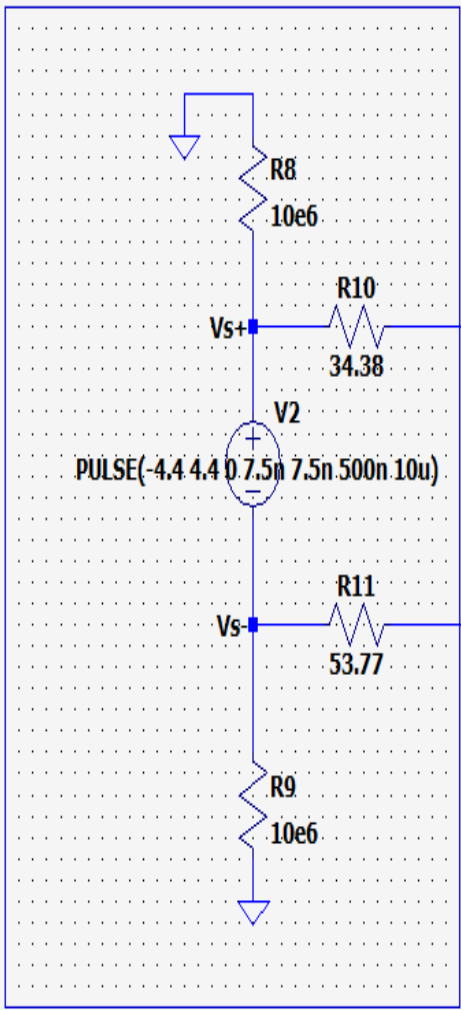


Right-Click to manually enter Left Vertical Axis Limits [V]

Alternate

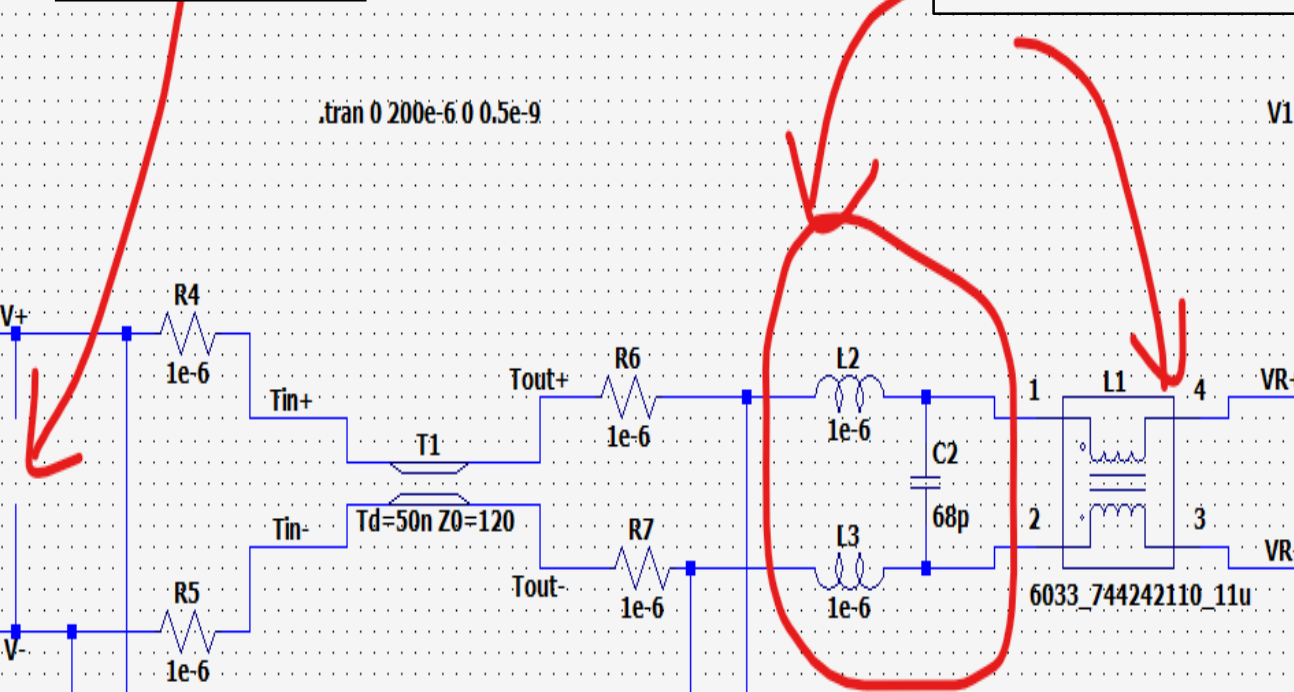
Configuration - 7

Transmitter



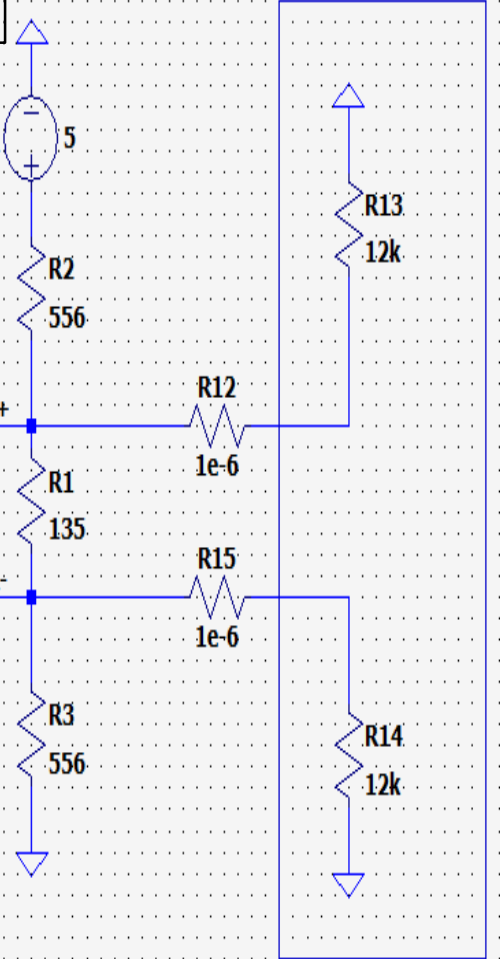
Removed

.tran 0 200e-6 0 0.5e-9

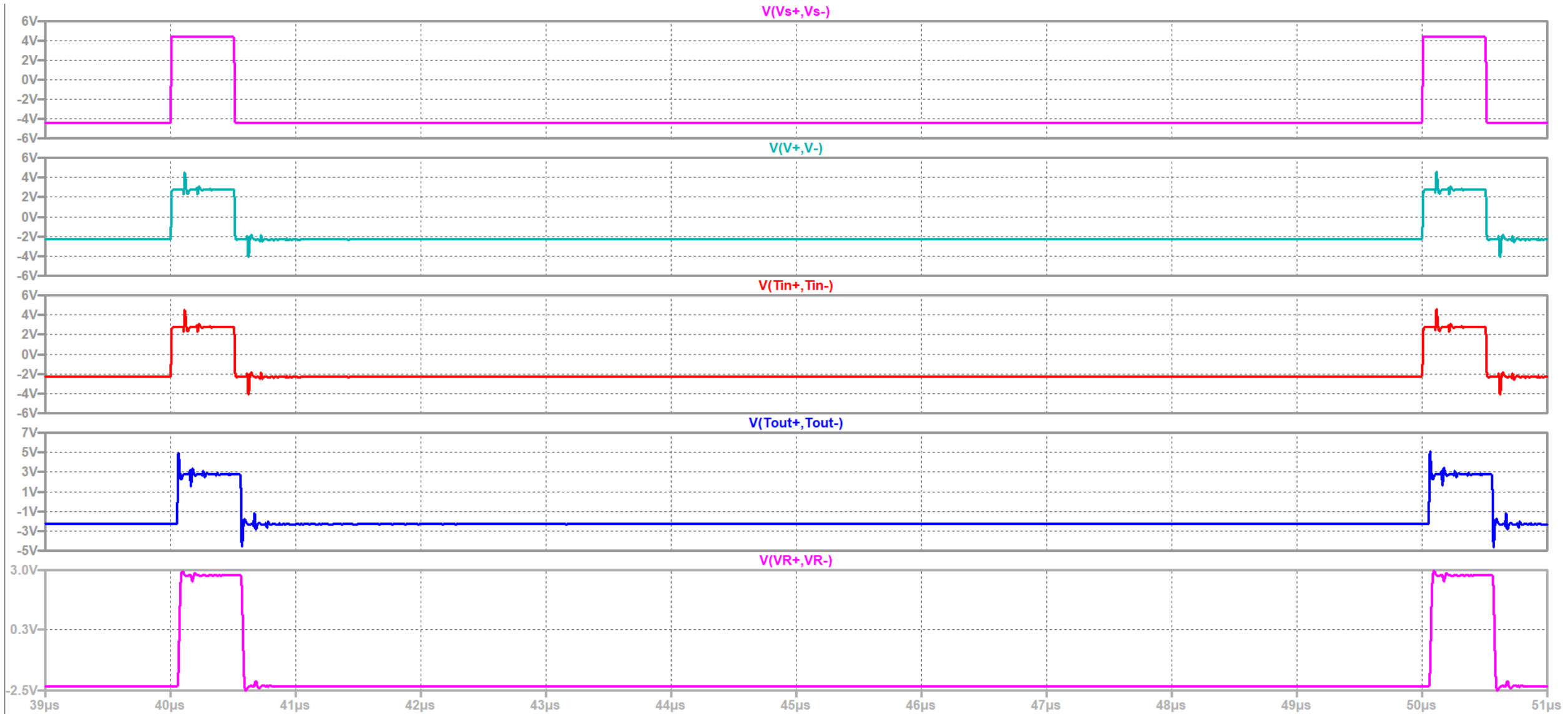


Position Interchanged Compared to Configuration-1

Receiver



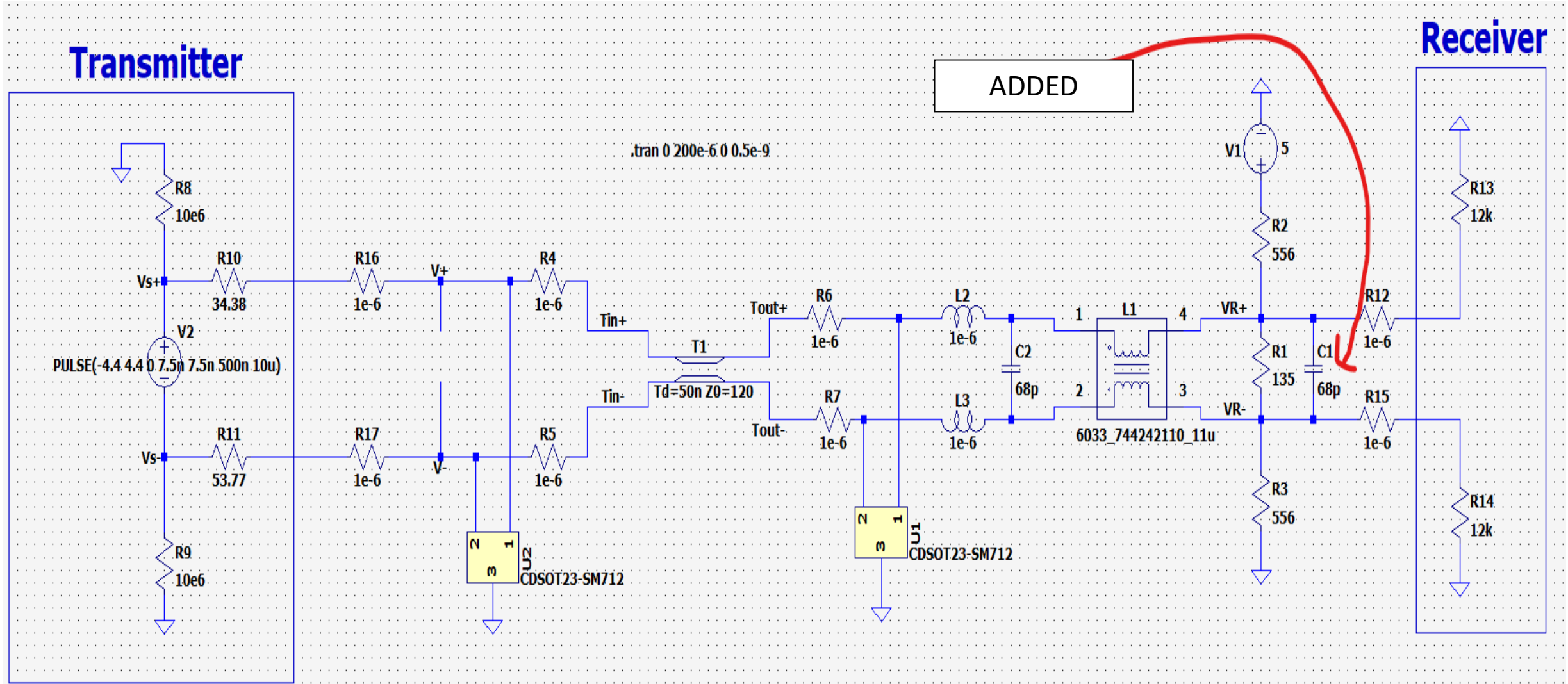
Configuration - 7



Right-Click to manually enter Left Vertical Axis Limits [V]

Alternate

Configuration - 8



Configuration - 8



Right-Click to manually enter Left Vertical Axis Limits [V]

Alternate

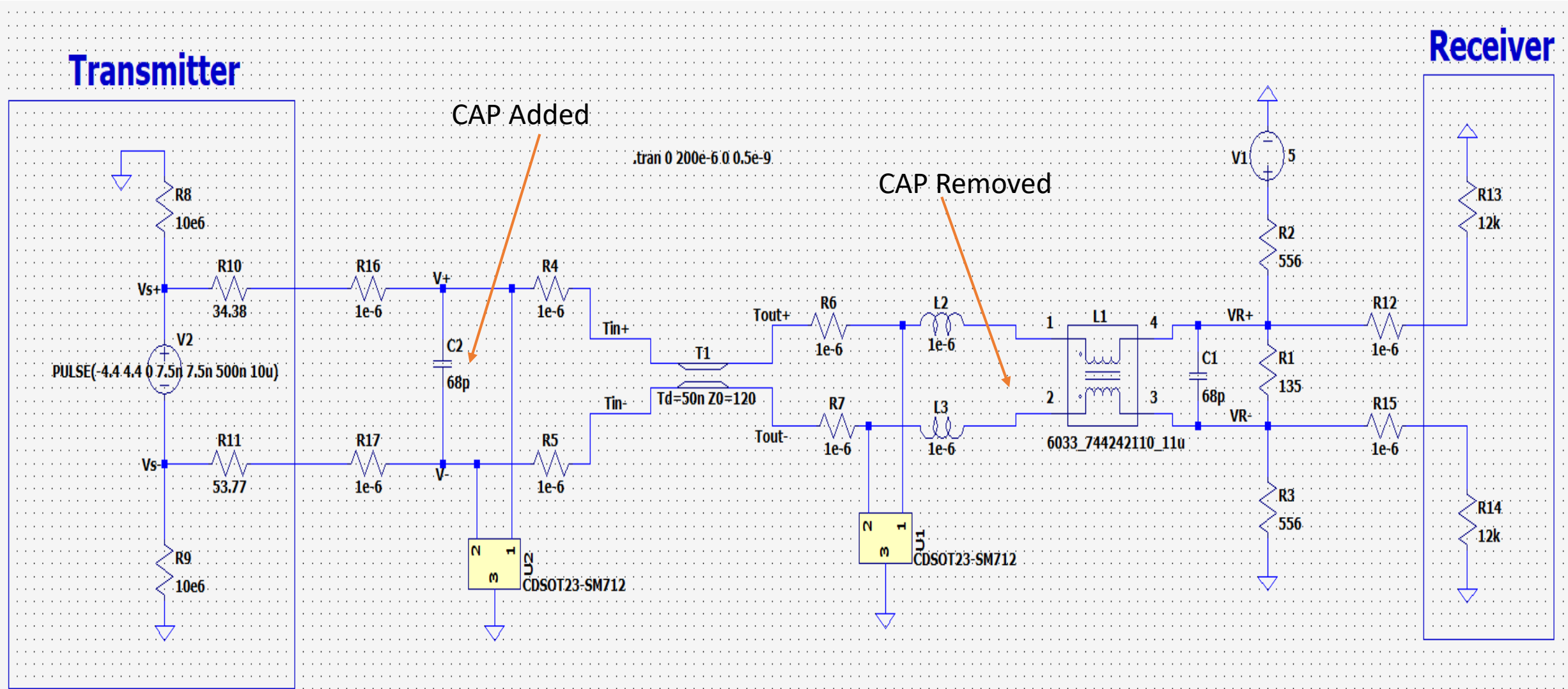
Configuration - 9

Transmitter

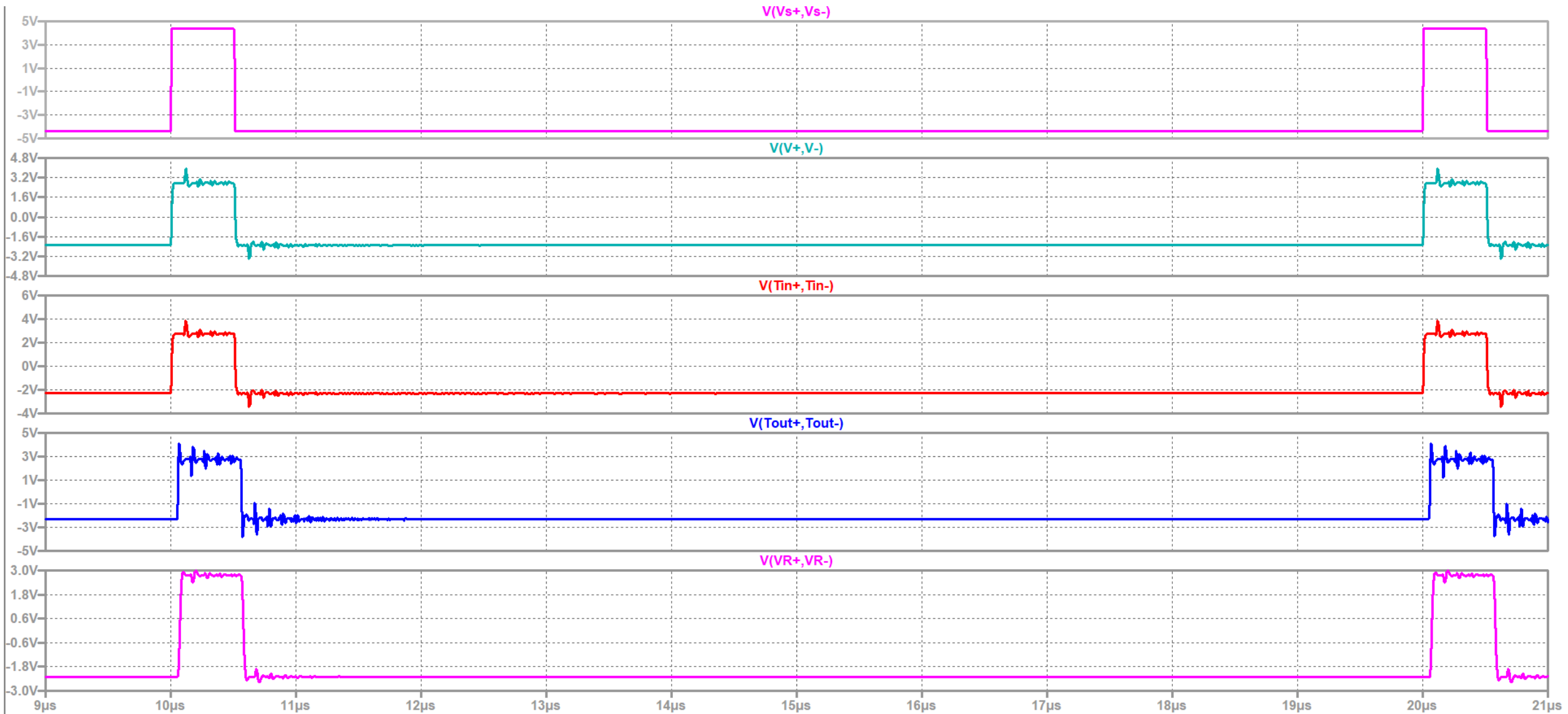
CAP Added

CAP Removed

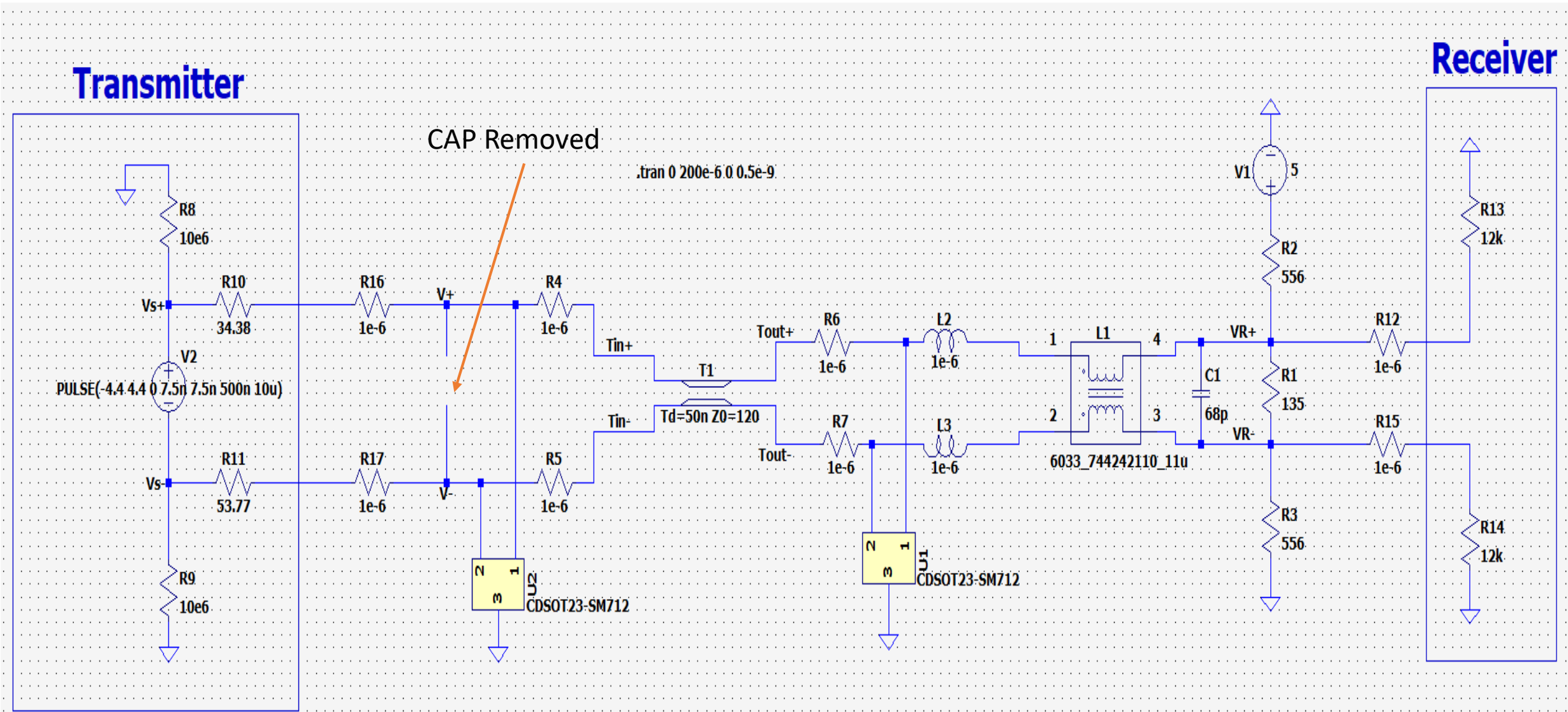
Receiver



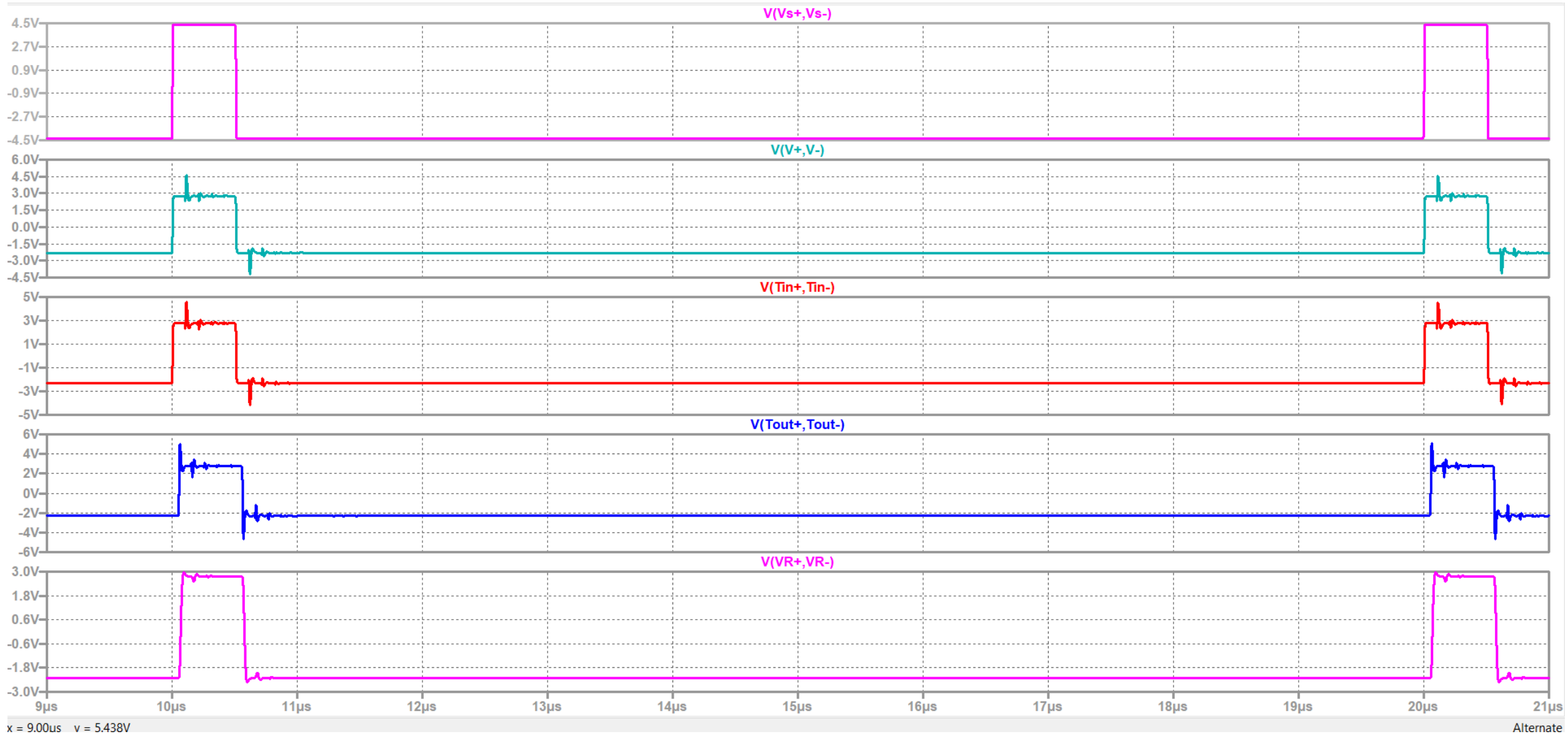
Configuration - 9



Configuration - 10



Configuration - 10



x = 9.00µs v = 5.438V

Alternate