

# Power Supplies

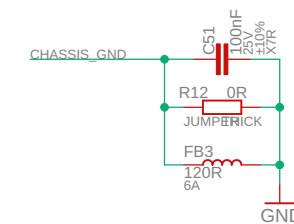
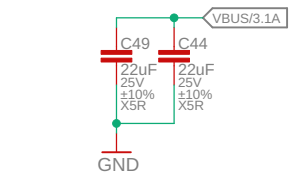
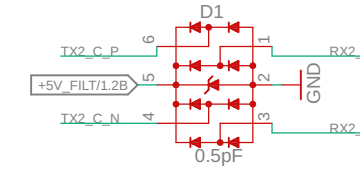
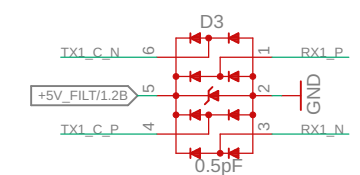
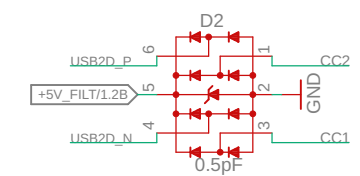
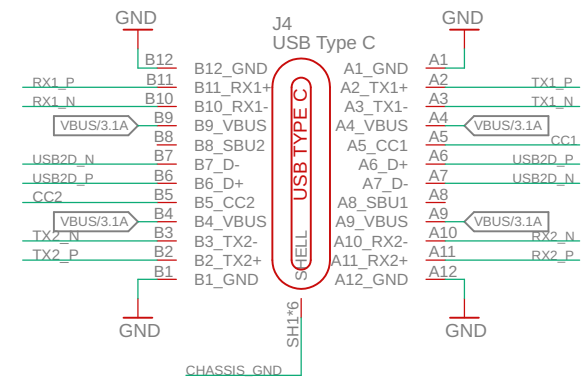
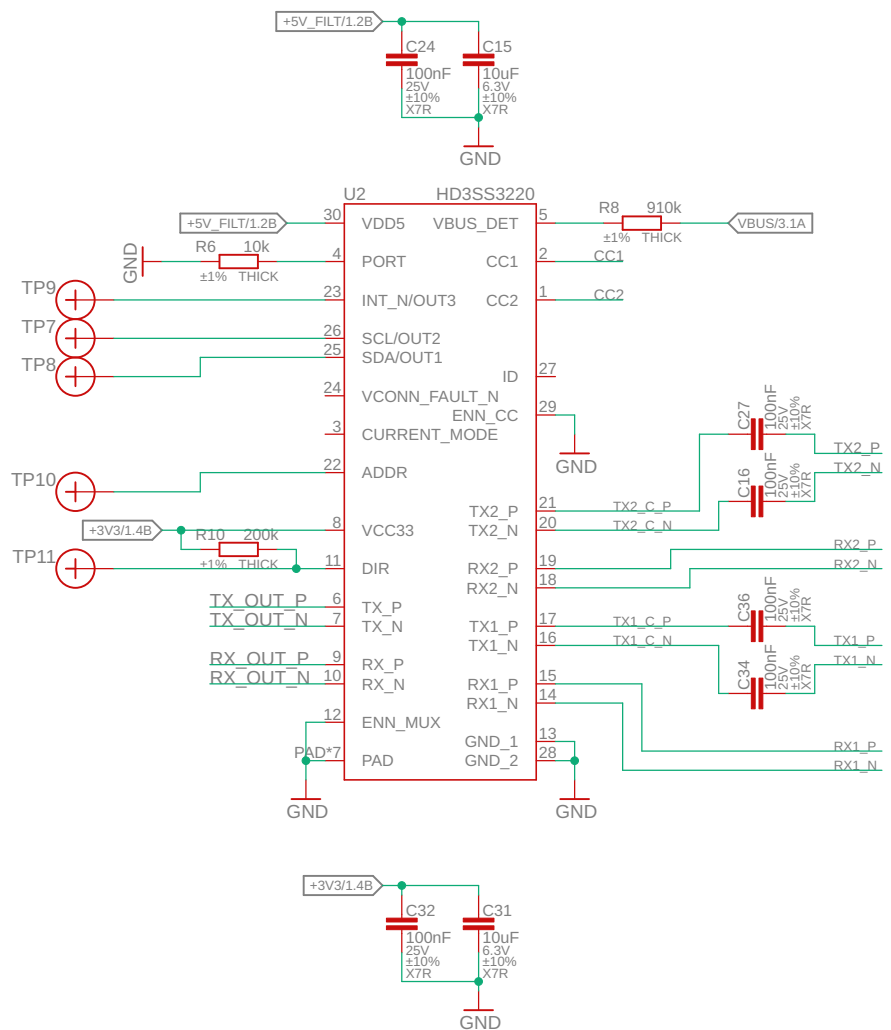
TITLE: Type C To Ethernet 1

Document Number:

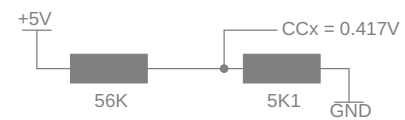
REV:  
A

Date: 10/11/2020 09:19

Sheet: 1/4



CC1 = HIGH (~0.40V) -> TX1/RX1 PAIRS USED  
 CC2 = HIGH (~0.40V) -> TX2/RX2 PAIRS USED



# Power Supplies

TITLE: Type C To Ethernet 1

Document Number:

REV:  
A

Date: 10/11/2020 09:19

Sheet: 2/4