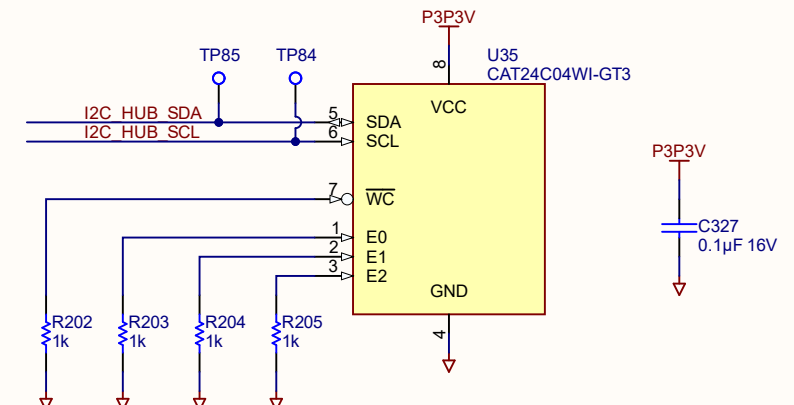
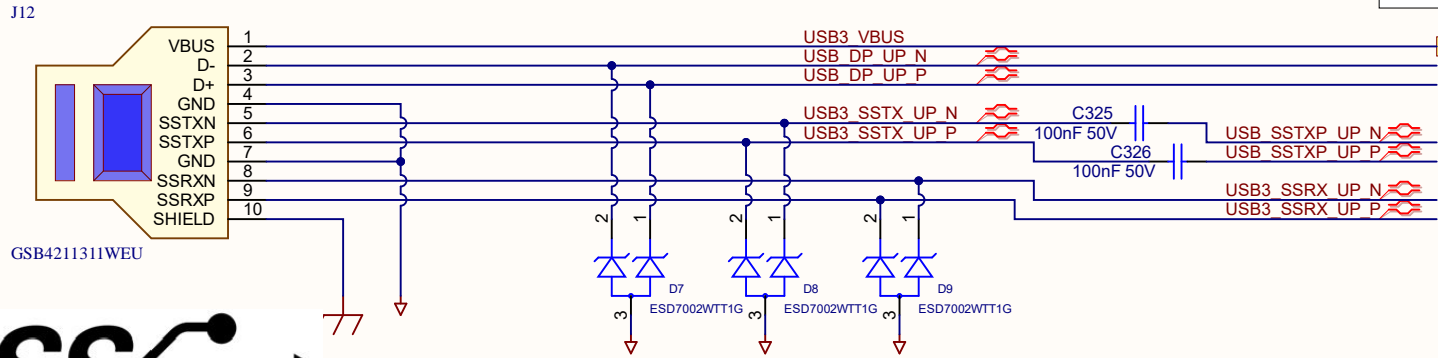


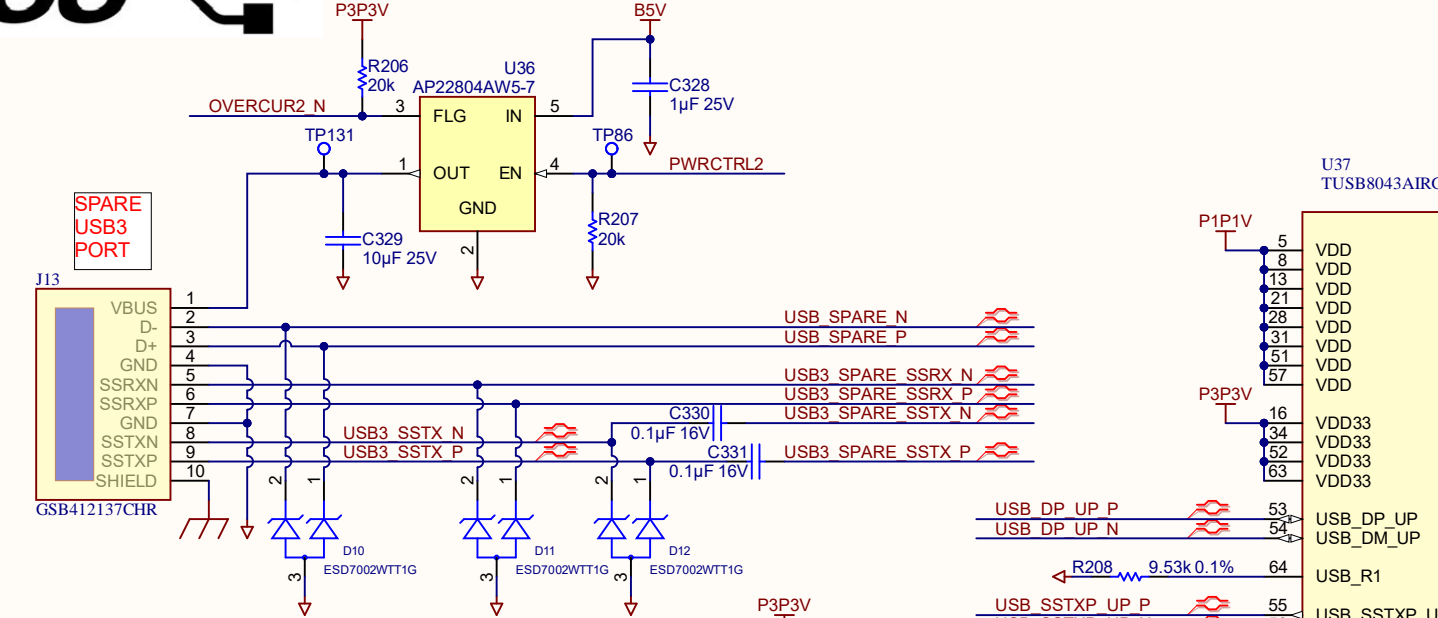
**MAIN IMAGING INTERFACE**  
SuperSpeed USB (5 Gbps)

**USB HUB 3.2 GEN 1**

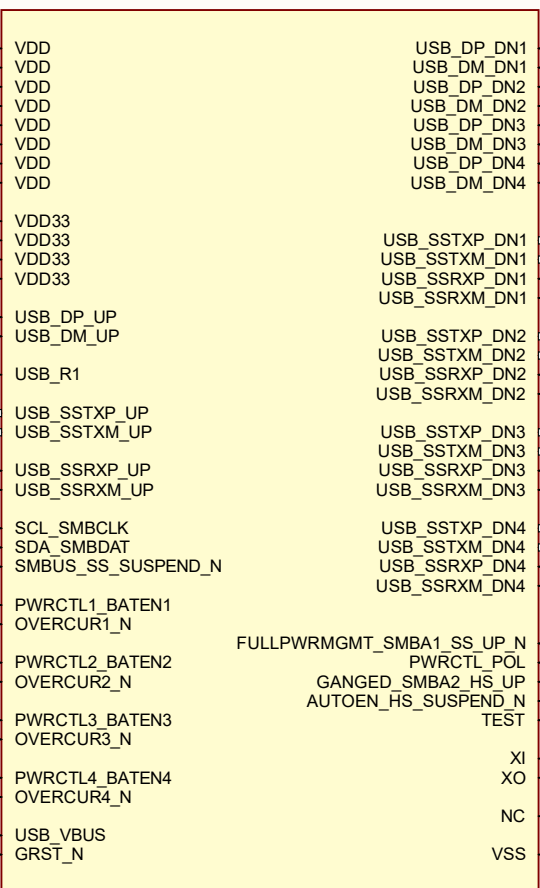
**HUB CONFIGURATION EEPROM**



**NOTE:**  
I2C WRITE ADDRESS 0xA1  
I2C READ ADDRESS 0xA0

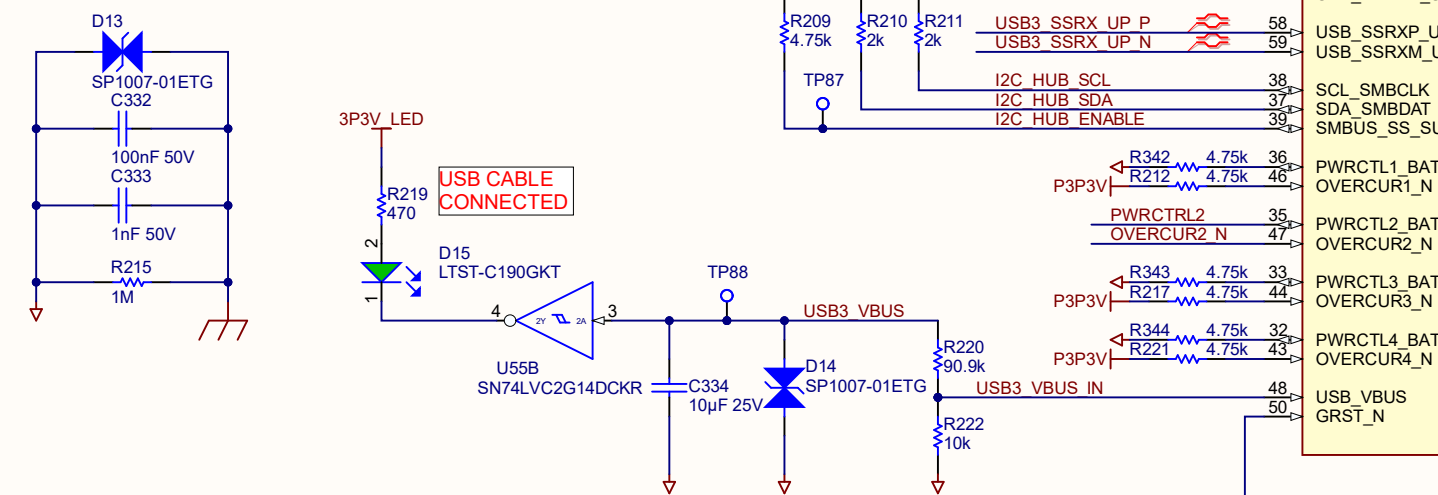


**U37 TUSB8043AIRGCR**

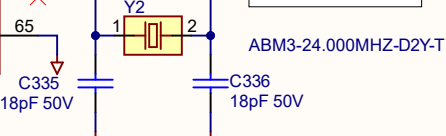


**SIGNAL:**  
FULLPWRMGMT  
PWRCTL\_POL  
GANGED  
AUTOEN  
PWRCTLX  
I2C\_HUB\_ENABLE

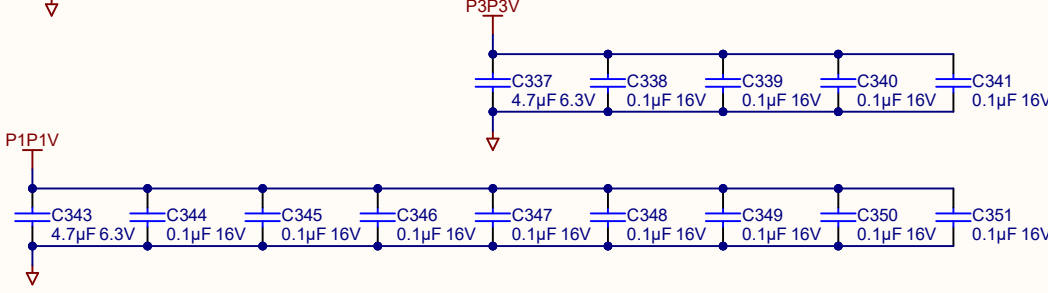
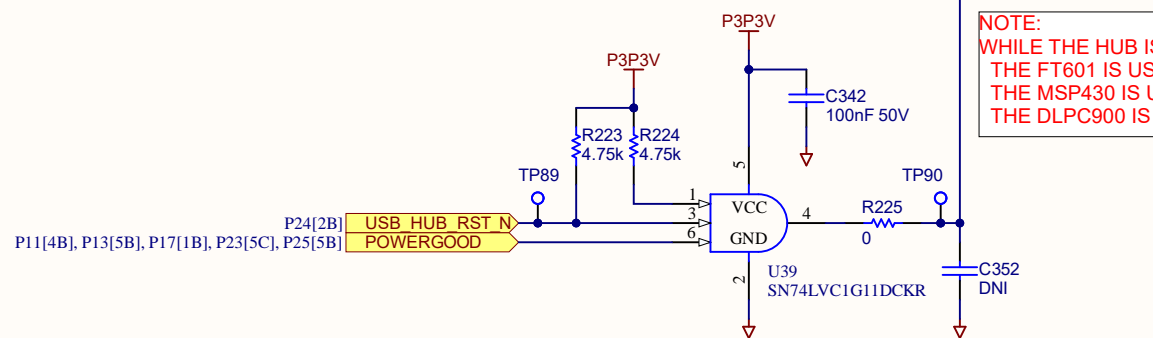
**DEFINITION:**  
LOW = POWER SWITCHING AND OVERCURRENT INPUTS ENABLED  
HIGH = ACTIVE HIGH POLARITY  
LOW = INDIVIDUAL PORT CONTROL  
LOW = AUTOMATIC CHARGE MODE ENABLED  
LOW = BATTERY CHARGING NOT SUPPORTED  
HIGH = I2C MODE



**24MHz CRYSTAL**



**NOTE:**  
WHILE THE HUB IS 5 Gbps SOME DOWNSTREAM DEVICES ARE SLOWER:  
THE FT601 IS USB 3.0 - 5 Gbps  
THE MSP430 IS USB 2.0 - 480 Mbps  
THE DLPC900 IS USB 1.1 - 12 Mbps



THIS DOCUMENT CONTAINS PROPRIETARY INFORMATION OF BERKELEY LIGHTS INC. AND IS TO BE RETAINED IN CONFIDENCE, NOT TO BE REPRODUCED, COPIED, OR INCORPORATED IN ANY MANNER. © Berkeley Lights All rights reserved		PROJECT NAME <b>BEACON / LIGHTNING</b>		TITLE <b>SCHEMATIC USB3 DMD CONTROLLER</b>	
DRAWN P. SLUIS	DATE SEE ARENA	SIZE <b>C</b>		PART NUMBER <b>SCH-00043</b>	REV <b>C</b>
DESIGNED P. SLUIS	DATE SEE ARENA				
CHECKED P. SLUIS	DATE SEE ARENA	SHEET 22 OF 29			