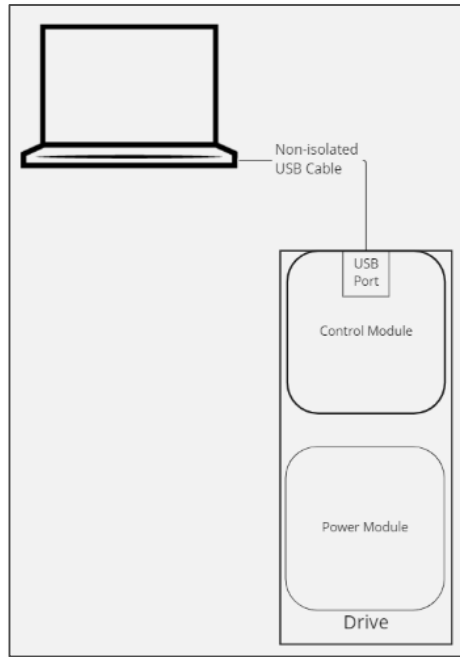


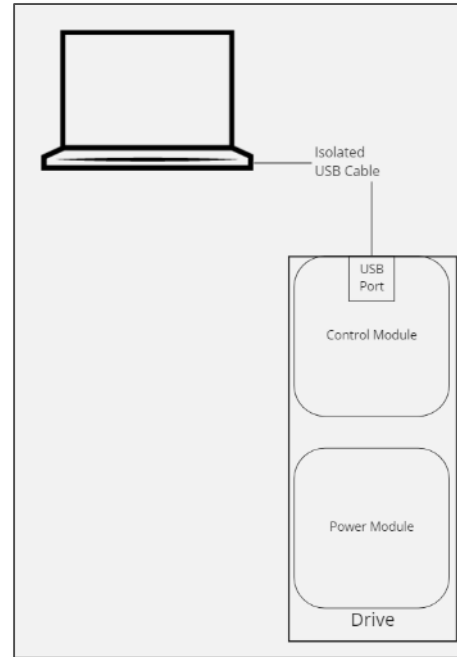
Mantis 5 – USB Use Cases

The Mantis product variants shall support USB connections under these use cases:

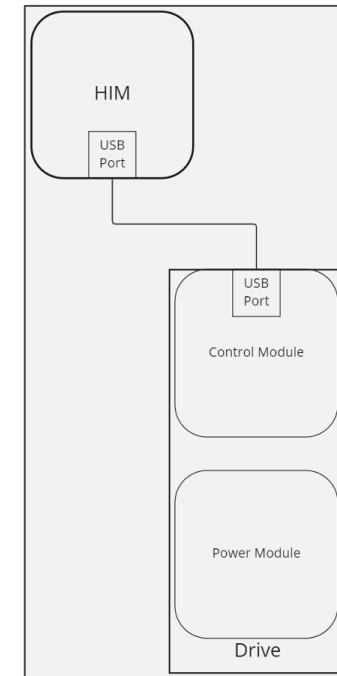
1. Connection to PC While Not Modulating (Mains-Free Programming)
2. Connection to PC While Modulating via Isolating Cable
3. Next-Gen Standard HIM ([External Keypad](#))



Case A



Case B



Case C



Single Connector - USB Type C Proposal

