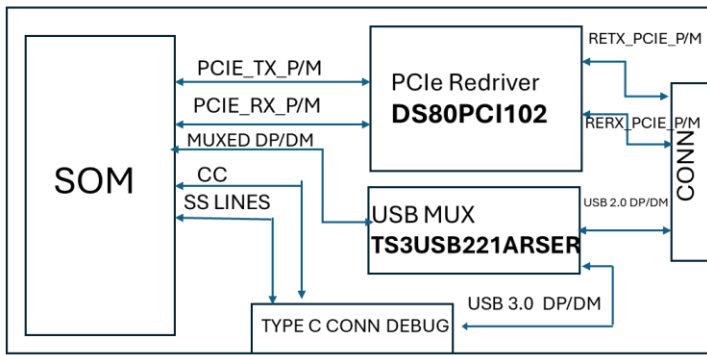


BOARD 1



BOARD 2

