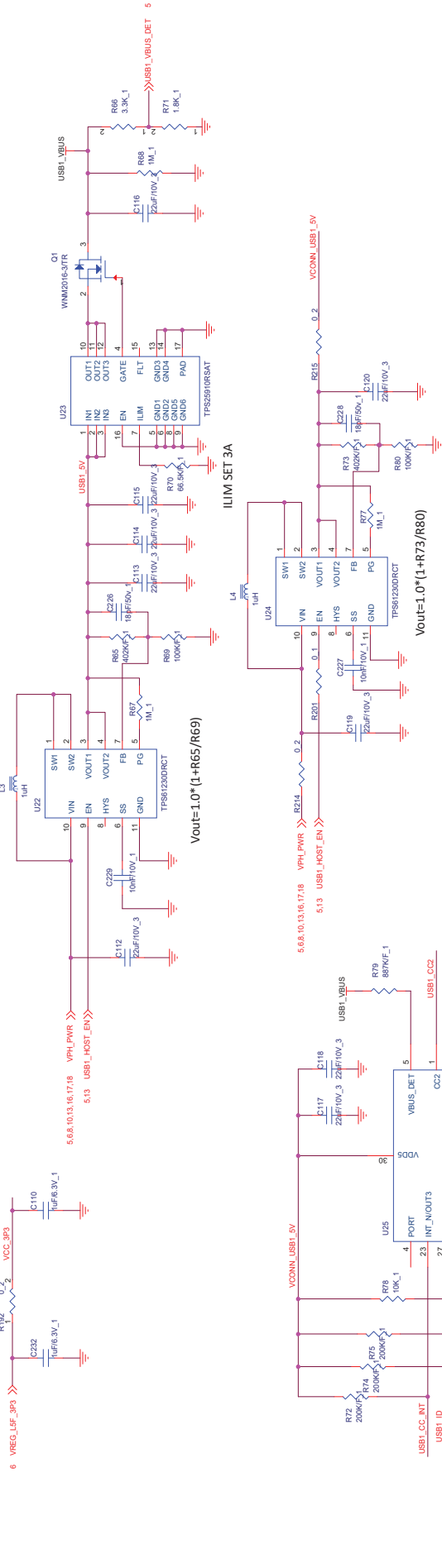


SOM board is VREG_L5F_2P8, it should be 3P3.



USB3.1 TYPE C

