

USB3.0 HUB

(33) USB3_SSTX_0P
(33) USB3_SSTX_0N
(33) USB3_SSRX_0P
(33) USB3_SSRX_0N

M.2 B Key

(44) USB3_SSTX_2P
(44) USB3_SSTX_2N
(44) USB3_SSRX_2P
(44) USB3_SSRX_2N

CPU1F

USB3.0

B32 USB3_TXP0
C32 USB3_TXN0
F28 USB3_RXP0
D28 USB3_RXN0
A33 USB3_TXP1
C33 USB3_TXN1
F30 USB3_RXP1
D30 USB3_RXN1
C34 USB3_TXP2
B34 USB3_TXN2
G32 USB3_RXP2
J32 USB3_RXN2
C35 USB3_TXP3
A35 USB3_TXN3
G34 USB3_RXP3
J34 USB3_RXN3
D34 USB3_RCOMP_P
F34 USB3_RCOMP_N
C37 RSVD[4]
A37 RSVD[1]
F36 RSVD[7]
D36 RSVD[6]
M34 RSVD[11]
M32 RSVD[10]
C38 RSVD[5]
B38 RSVD[2]
G36 RSVD[8]
J36 RSVD[9]
N34 RSVD[12]
P34 RSVD[13]

USB2.0

USB_OTG_ID B48
USB_DP0 C42
USB_DN0 B42
USB_DP1 C43
USB_DN1 B44
USB_DP2 C41
USB_DN2 A41
USB_DP3 C45
USB_DN3 A45
USB_DP4 B40
USB_DN4 C40
USB_OC1_N P16
USB_OC0_N P14
RSVD_B46 B46
USB_VBUSSNS B47
USB_RCOMP A48
USB_HSIC_0_STROBE M36
USB_HSIC_0_DATA N36
USB_HSIC_1_STROBE K38
USB_HSIC_1_DATA M38
USB_HSIC_RCOMP N38
UART1_TXD AD10
UART1_RXD AD12
UART1_CTS_N AD13
UART1_RTS_N AD14
UART2_TXD Y6
UART2_RXD Y7
UART2_CTS_N V9
UART2_RTS_N V10

HSIC

UART

RESERVED

6 OF 13

Braswell_BGA1170

USB_0P (30)
USB_0N (30)

DVI1

USB_1P (35)
USB_1N (35)

USB1

USB_2P (44)
USB_2N (44)

M.2 B Key

USB_3P (45)
USB_3N (45)

M.2 A/E Key

USB_4P (33)
USB_4N (33)

USB2.0 HUB

USB_OC1# P16
USB_OC0# P14

USB_OBSP B46

USB_VBUSSNS B47

USB_RCOMP A48

RSVD_B46 B46

USB_HSIC_RCOMP N38

UART_TXD (46) AD10

UART_RXD (46) AD12

UART_CTS_N (46) AD13

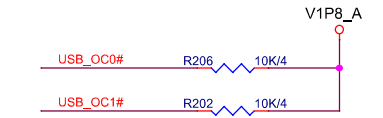
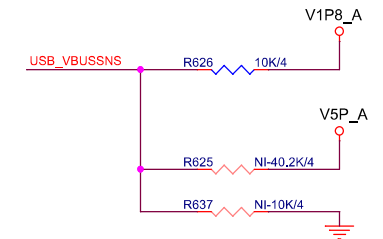
UART_RTS_N (46) AD14

UART2_TXD Y6

UART2_RXD Y7

UART2_CTS_N V9

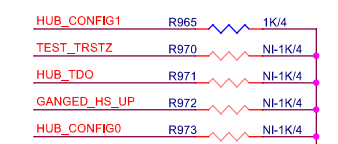
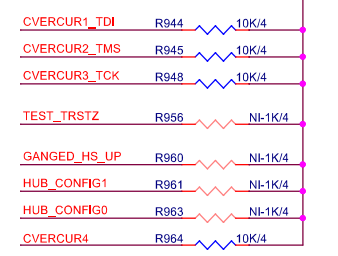
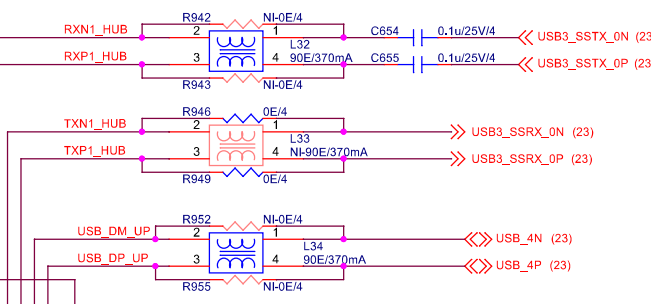
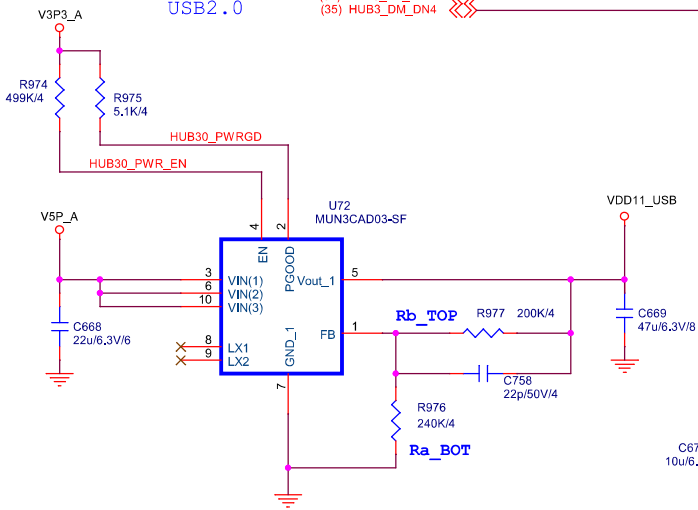
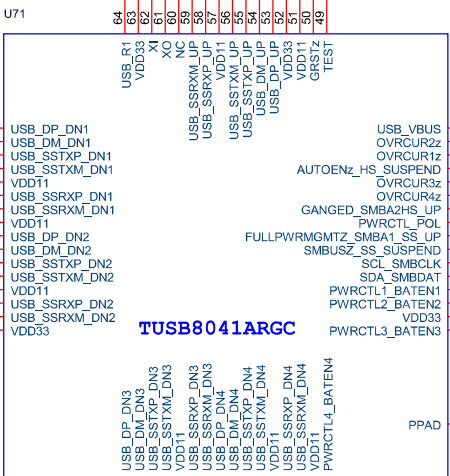
UART2_RTS_N V10





TYPE A
 (34) HUB3_DP_DN1
 (34) HUB3_DM_DN1
 (34) HUB3_SSTXP_DN1
 (34) HUB3_SSTXM_DN1
 (34) HUB3_SSRXP_DN1
 (34) HUB3_SSRXM_DN1
 (34) HUB3_DP_DN2
 (34) HUB3_DM_DN2
 (34) HUB3_SSTXP_DN2
 (34) HUB3_SSTXM_DN2
 (34) HUB3_SSRXP_DN2
 (34) HUB3_SSRXM_DN2

USB2.0 DVI2
 (31) HUB3_DP_DN3
 (31) HUB3_DM_DN3
 (35) HUB3_DP_DN4
 (35) HUB3_DM_DN4



TUSB8041ARGC

PPAD

