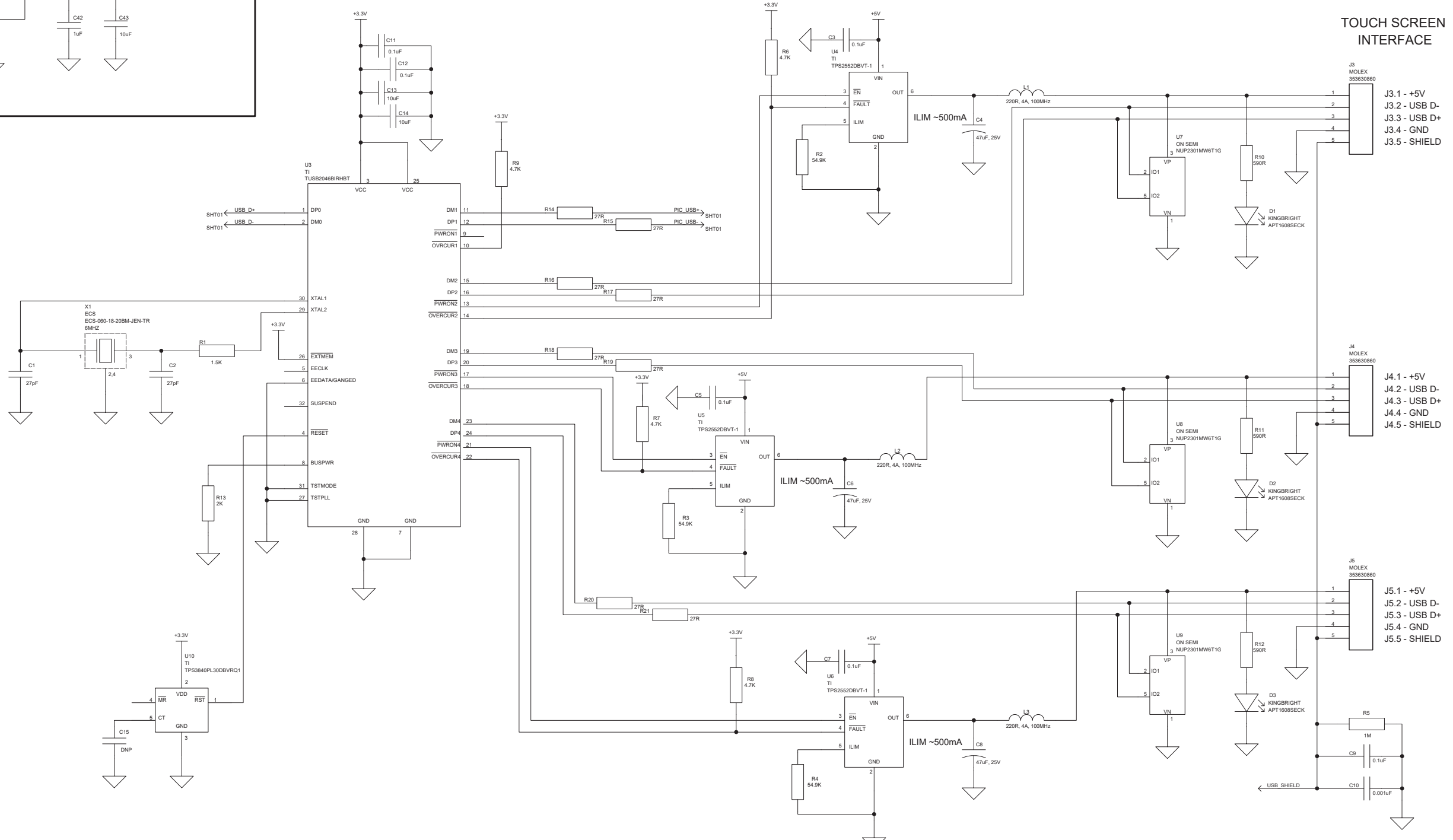
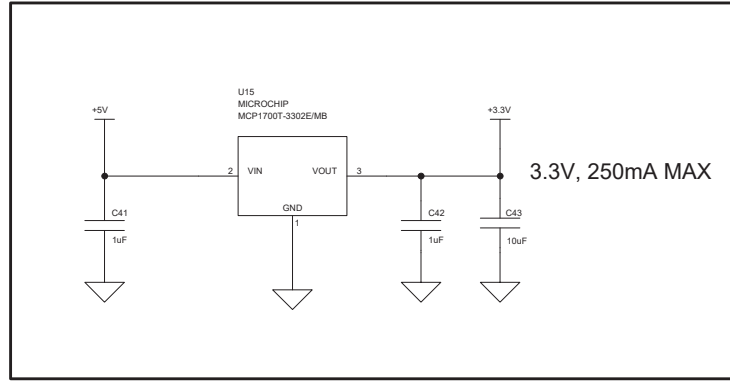


### 3.3V LINEAR REGULATOR



### TOUCH SCREEN INTERFACE

- J3.1 - +5V
- J3.2 - USB D-
- J3.3 - USB D+
- J3.4 - GND
- J3.5 - SHIELD

- J4.1 - +5V
- J4.2 - USB D-
- J4.3 - USB D+
- J4.4 - GND
- J4.5 - SHIELD

- J5.1 - +5V
- J5.2 - USB D-
- J5.3 - USB D+
- J5.4 - GND
- J5.5 - SHIELD