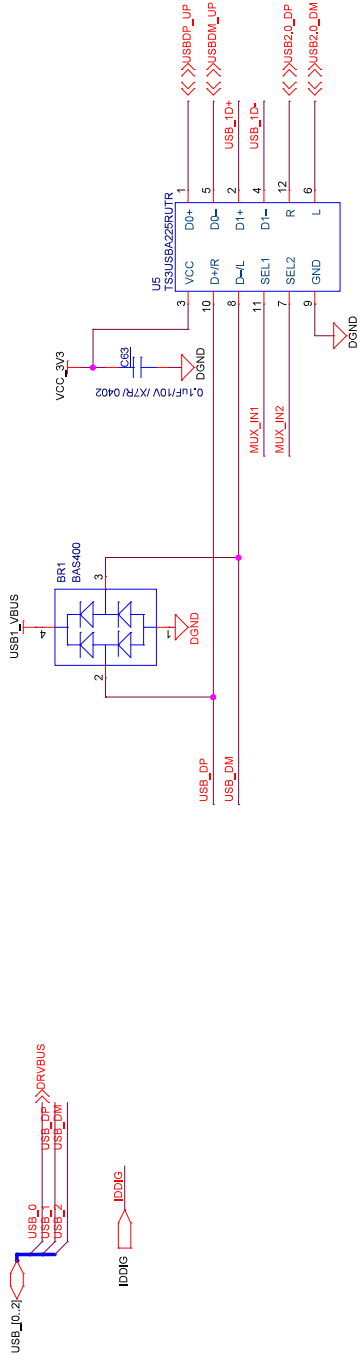
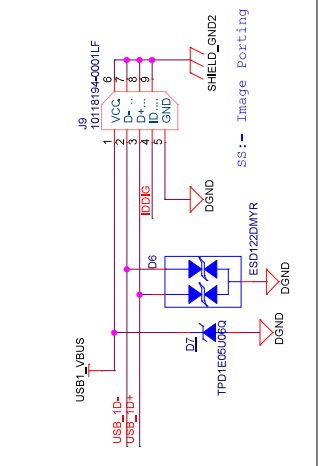


USB SECTION

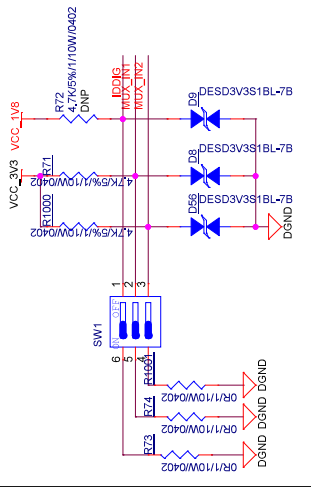
DEMUX/MUX



MICRO-USB-DEBUG-PORT



USB Configuration



DIP S/W1	DIP S/W2	DIP S/W3	FUNCTION
ON	OFF	OFF	USB HUB
OFF	OFF	ON	USB3.0
OFF	OFF	OFF	OS Image Porting

CIRCUIT SHEET	Company Logo elddos	USB HUB		Document Prepared/Responsible	Document Approved
		Project Name LOBO-DEVELOPMENT-BOARD	Author Karthik Pillai, B.Kaanya	Document Name T-INT-EMED-2139-LOBO_DEM-SCH-R1V00	Sustant/Patl
	Size A3	Date Thursday, May 20, 2021	Revision R1V00	Sheet 30 of 77	Cont. Ident.