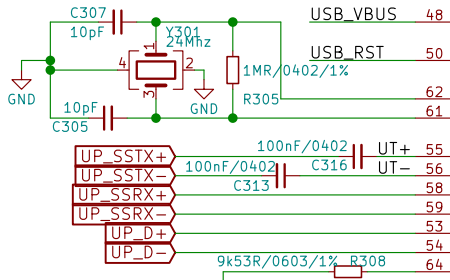
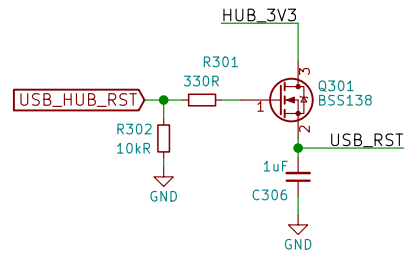


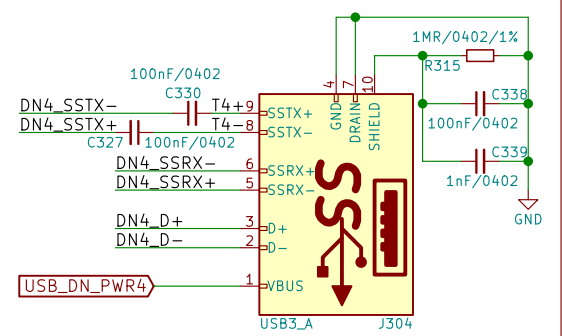
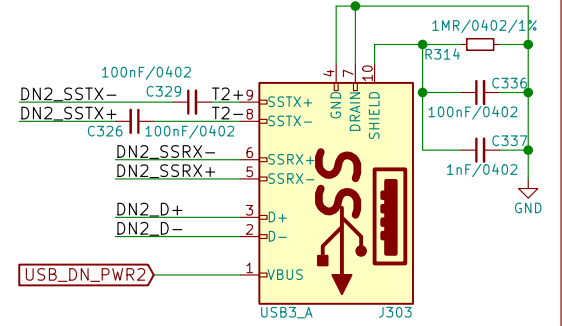
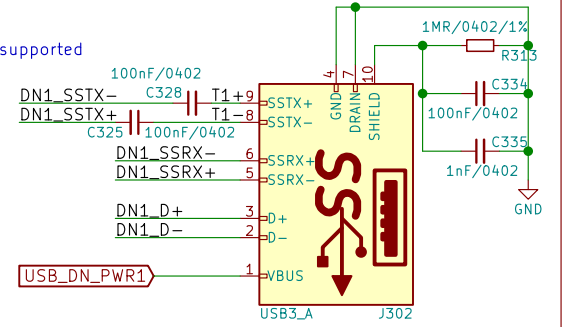
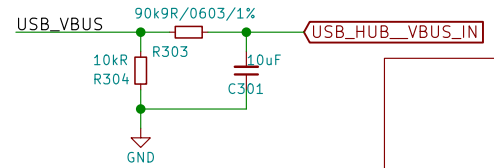
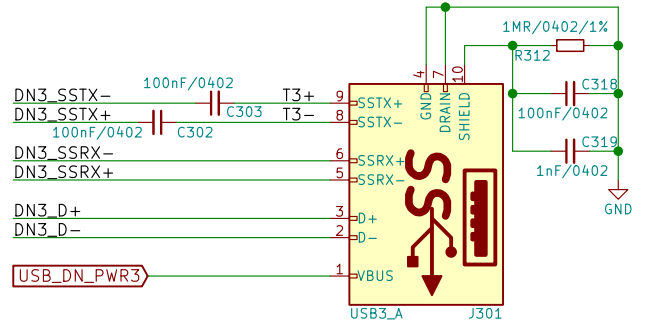
\*\*SS and D line polarity swapping is supported



EEPROM located on Misc. Sheet



Pin	Signal	Internal R
63	VDD33	
52	VDD33	
34	VDD33	
16	VDD33	
57	VDD	
51	VDD	
31	VDD	
28	VDD	
21	VDD	
13	VDD	
8	VDD	
5	VDD	
48	USB_VBUS	(Internal R)
50	USB_RST	GRStz
62	XI	
61	XO	
55	UP_SSTX+	100nF/0402
56	UP_SSTX-	100nF/0402
58	UP_SSRX+	100nF/0402
59	UP_SSRX-	100nF/0402
53	UP_D+	
54	UP_D-	
64	USB_R1	9k53R/0603/1%
38	SCL_3V3	
37	SDA_3V3	
39	SMBUSz/SS_SUSPEND	(Internal Pullup)
40	FULLPWRMGMTz/SMBA1/SS_UP	
41	PWRCTL_POL	(Internal Pullup)
42	GANGED/SMBA2/HS_UP	
45	AUTOENz/HS_SUSPEND	
49	TEST	
66	VSS	



Sheet: /USB_HUB/	
File: USB.sch	
<b>Title:</b>	
Size: A4	Date:
KiCad E.D.A. kicad 4.0.7	Rev: Id: 3/13