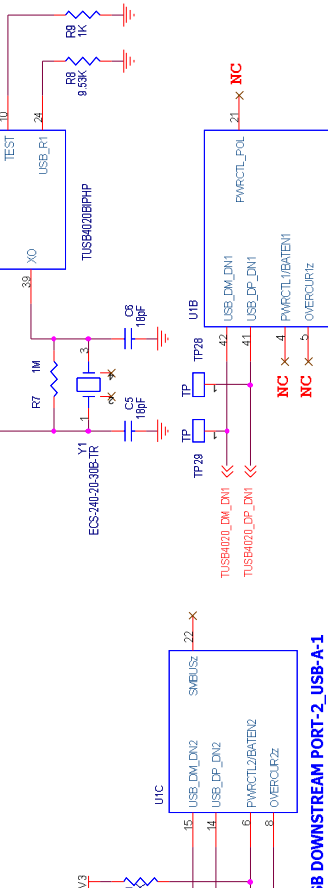
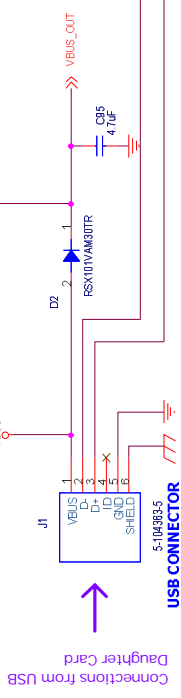
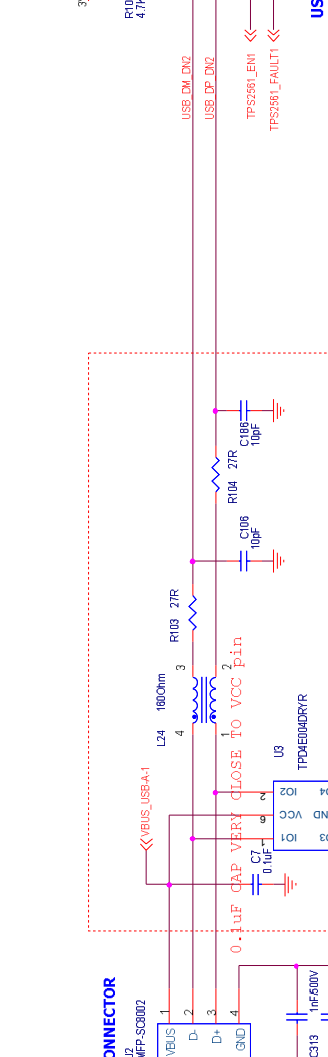


### USB UPSTREAM PORT

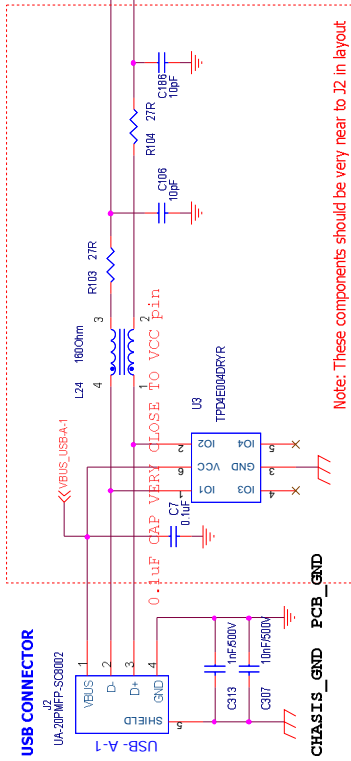
### USB DOWNSTREAM PORT-1\_MICRO



### USB DOWNSTREAM PORT-2\_USB-A-1

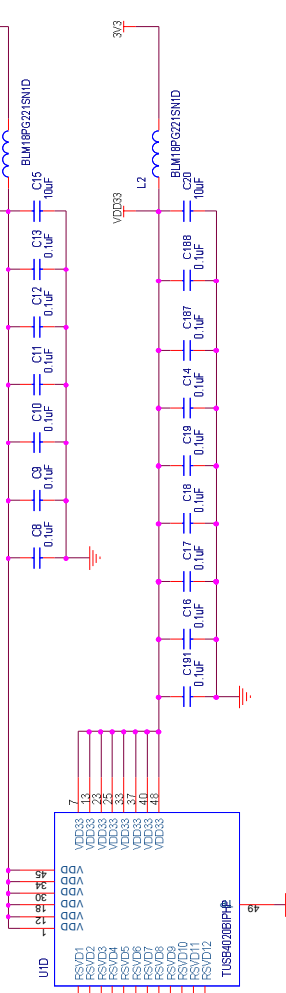


### USB CONNECTOR

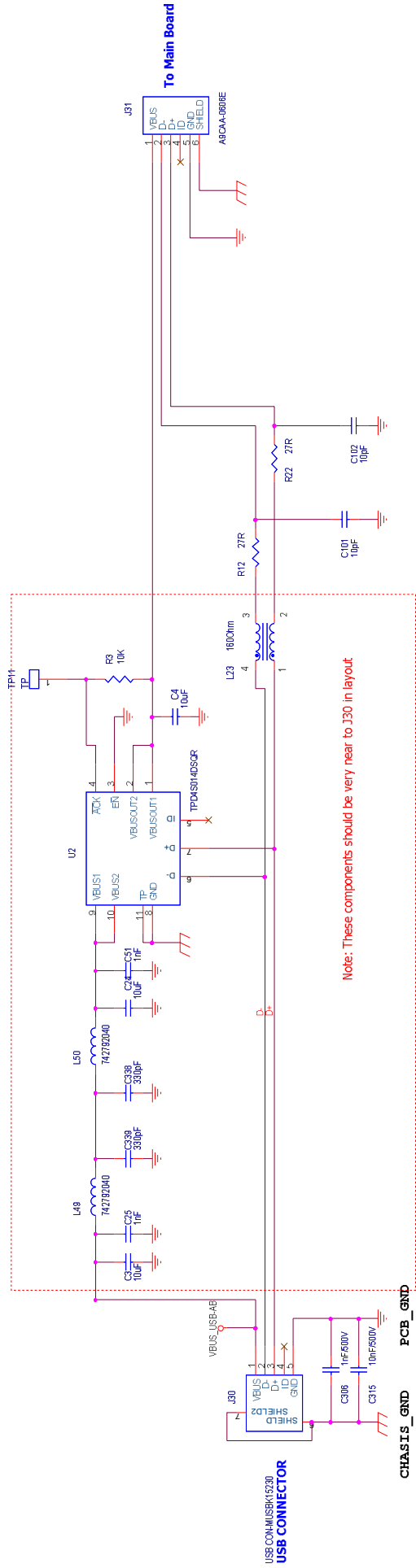


### VBUS POWER SWITCH

Note: These components should be very near to J2 in layout



### USB HUB



Note: These components should be very near to J00 in layout

**USB-AB Daughter Board**

