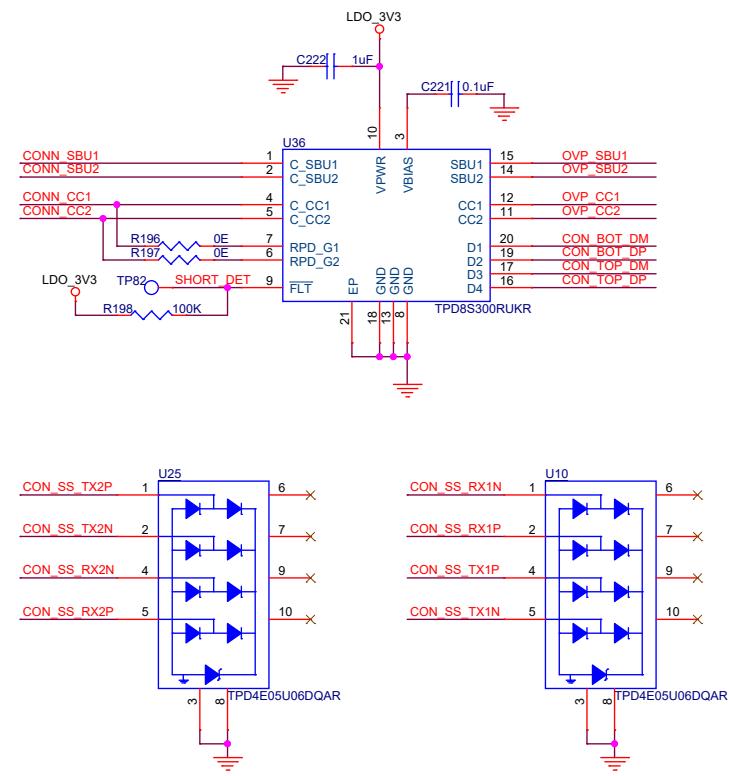
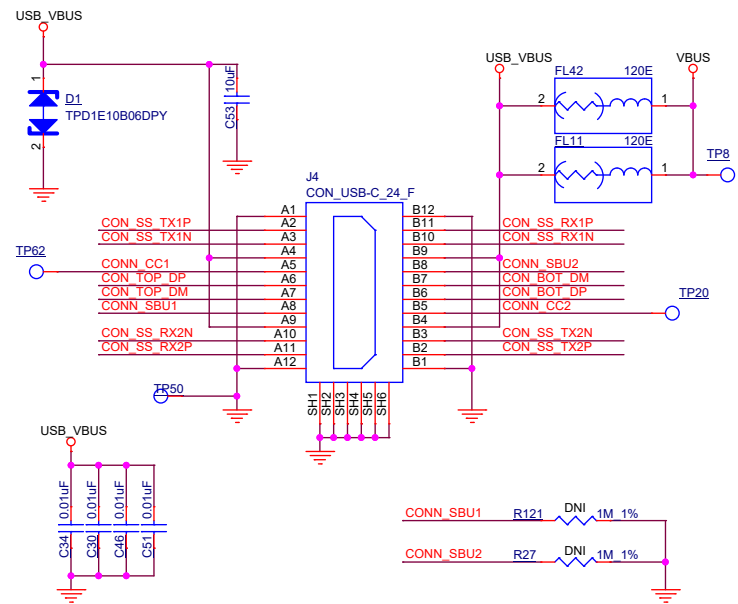
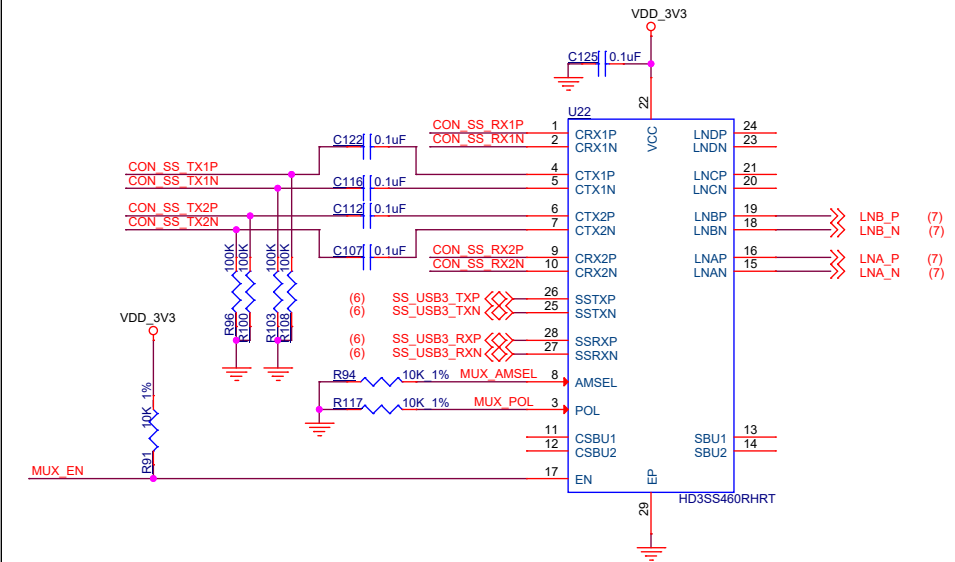


# USB TYPE-C CONNECTOR



# HIGH SPEED BI-DIRECTIONAL MUX



# I2C LEVEL TRANSLATOR 3.3V TO 1.8V

