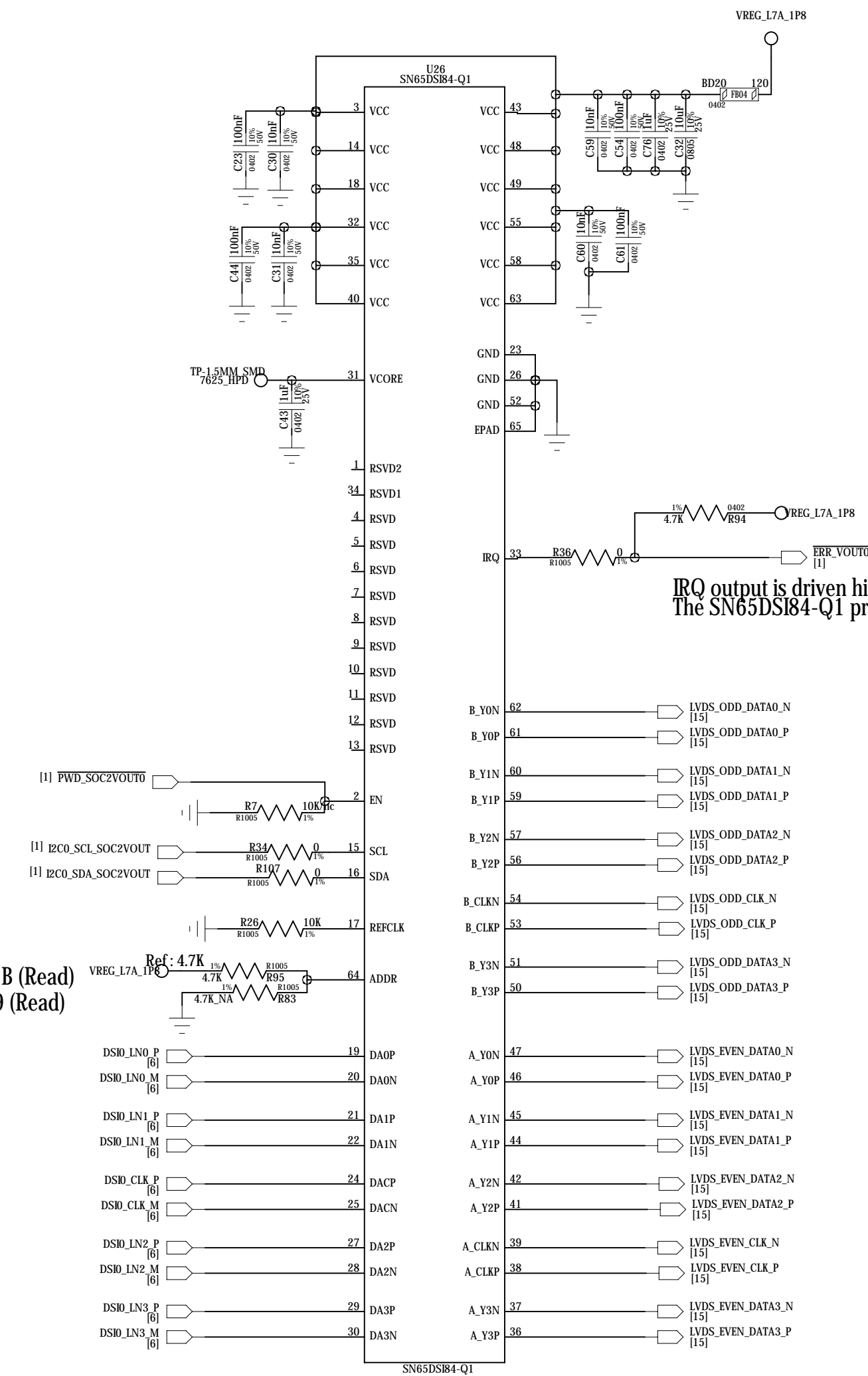


ADDR=1, 0x5A (Write) 0x5B (Read)
 ADDR=0, 0x58 (Write) 0x59 (Read)



IRQ output is driven high
 The SN65DS84-Q1 provides an IRQ pin that can be used to indicate when certain errors occur on DSI