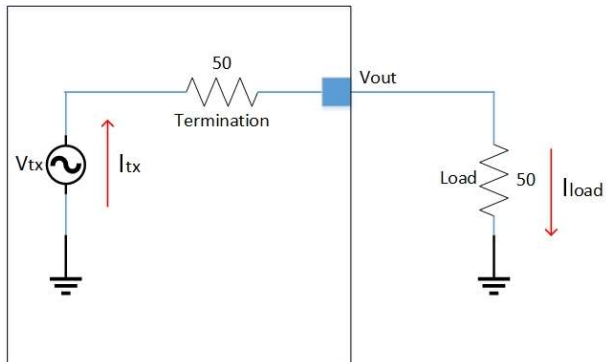
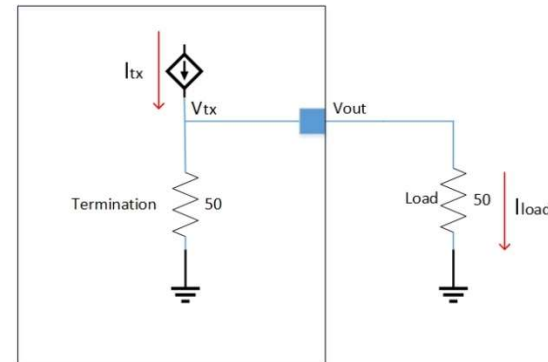


Basic Architecture : Voltage Mode vs Current Mode

Voltage Mode Line Driver



Current Mode Line Driver



Voltage source is the driver of load current	Current source is the driver of load current
$I_{tx} = I_{load}$	$I_{tx} = 2 * I_{load}$
$V_{tx} = 2 * V_{load}$	$V_{tx} = V_{load}$
Higher supply voltage required	Lower supply voltage required
Lower wattage	Higher wattage
Extra slew rate control required	Slew rate control is inbuilt