

XDS200 Debugger Pinout Description:



TMDSEMU200-U XDS200 USB Debug Probe

JTAG Pin Converter - BH-ADP-20e_cTI-20t_ARM

20 Pin cTI Male Header 1.27mm Pitch	20 Pin ARM Female Socket Header 1.27mm Pitch	20 Pin cTI Male Header 1.27mm Pitch	20 Pin ARM Female Socket Header 1.27mm Pitch
1	5	2	5
3	2	4	4
5	3	6	6, 8, 10, 12, 14, 16, 18, 20
7	1	8	6, 8, 10, 12, 14, 16, 18, 20
9	11	10	6, 8, 10, 12, 14, 16, 18, 20
11	9	12	6, 8, 10, 12, 14, 16, 18, 20
13	7	14	6, 8, 10, 12, 14, 16, 18, 20
15	15	16	6, 8, 10, 12, 14, 16, 18, 20
17	NC	18	6, 8, 10, 12, 14, 16, 18, 20
19	NC	20	6, 8, 10, 12, 14, 16, 18, 20

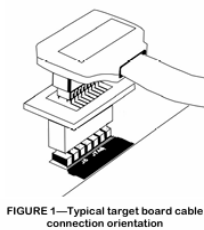
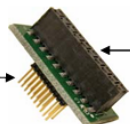


FIGURE 1—Typical target board cable connection orientation

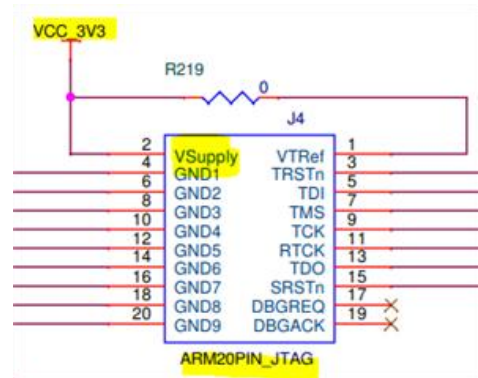
20-Pin Target ARM Header Pin out			
Pin	Name	Pin	Name
1	VDD	2	VDD
3	nTRST [†]	4	GND
5	TDI	6	GND
7	TMS	8	GND
9	TCK	10	GND
11	RTCK	12	GND
13	TDO	14	GND
15	nSRST [†]	16	GND
17	NC	18	GND
19	NC	20	GND

[†] Signals are active low

Emulator Connection:
20 pin cTI male header
(0.050" x 0.100")



Target Board Connection:
20 pin female socket header
(0.100" x 0.100")



20e_cTI-20t_ARM Pin Converter

This is what, mentioned as per the Design

As per Design VCC should be PIN1 & PIN2.

But, we are getting VCC on PIN4 which is GND as per design.

JTAG connector	TI 14-Pin ¹	Compact TI 20-Pin (cTI) ²	ARM 20-Pin Cortex Debug + ETM ³	ARM 10-Pin ³	ARM 20-Pin ¹	ARM 14-Pin ¹ (OBSOLETE)	TI 20-Pin ¹ (OBSOLETE)
Pin number							
1	TMS	SWDIO / TMS	VTRef	VTRef	VTRef	VTRef	VTRef
2	nTRST	nTRST	SWDIO / TMS	SWDIO / TMS	VSupply	GND	VSupply
3	TDI	TDI	GND	GND	nTRST	nTRST	nTRST
4	TDIS	TDIS	SWDCLK / TCK	SWDCLK / TCK	GND	GND	TDIS
5	VTRef	VTRef	GND	GND	TDI	TDI	TDI
6	KEY	KEY	SWO / TDO / EXTa / TRACECTL	SWO / TDO	GND	GND	KEY
7	TDO	SWO / TDO	KEY	KEY	SWDIO / TMS	TMS	TMS
8	GND	GND	NC / EXTb / TDI	NC / TDI	GND	GND	GND
9	RTCK	RTCK	GNDDetect	GNDDetect	SWDCLK / TCK	TCK	TCK
10	GND	GND	nRESET	nRESET	GND	GND	GND
11	TCK	SWCLK / TCK	GND / TgtPwr+Cap		RTCK	TDO	RTCK
12	GND	GND	TRACECLK		GND	SRST	GND
13	EMU0	EMU0	GND / TgtPwr+Cap		SWO / TDO	VTRef	TDO
14	EMU1	EMU1	TRACEDATA[0]		GND	GND	GND
15		nRESET	GND		nRESET		nRESET
16		GND	TRACEDATA[1]		GND		GND
17		EMU2	GND		NC / DBGRQ		NC
18		EMU3	TRACEDATA[2]		GND		GND
19		EMU4	GND		NC / DBGACK		NC
20		GND	TRACEDATA[3]		GND		GND