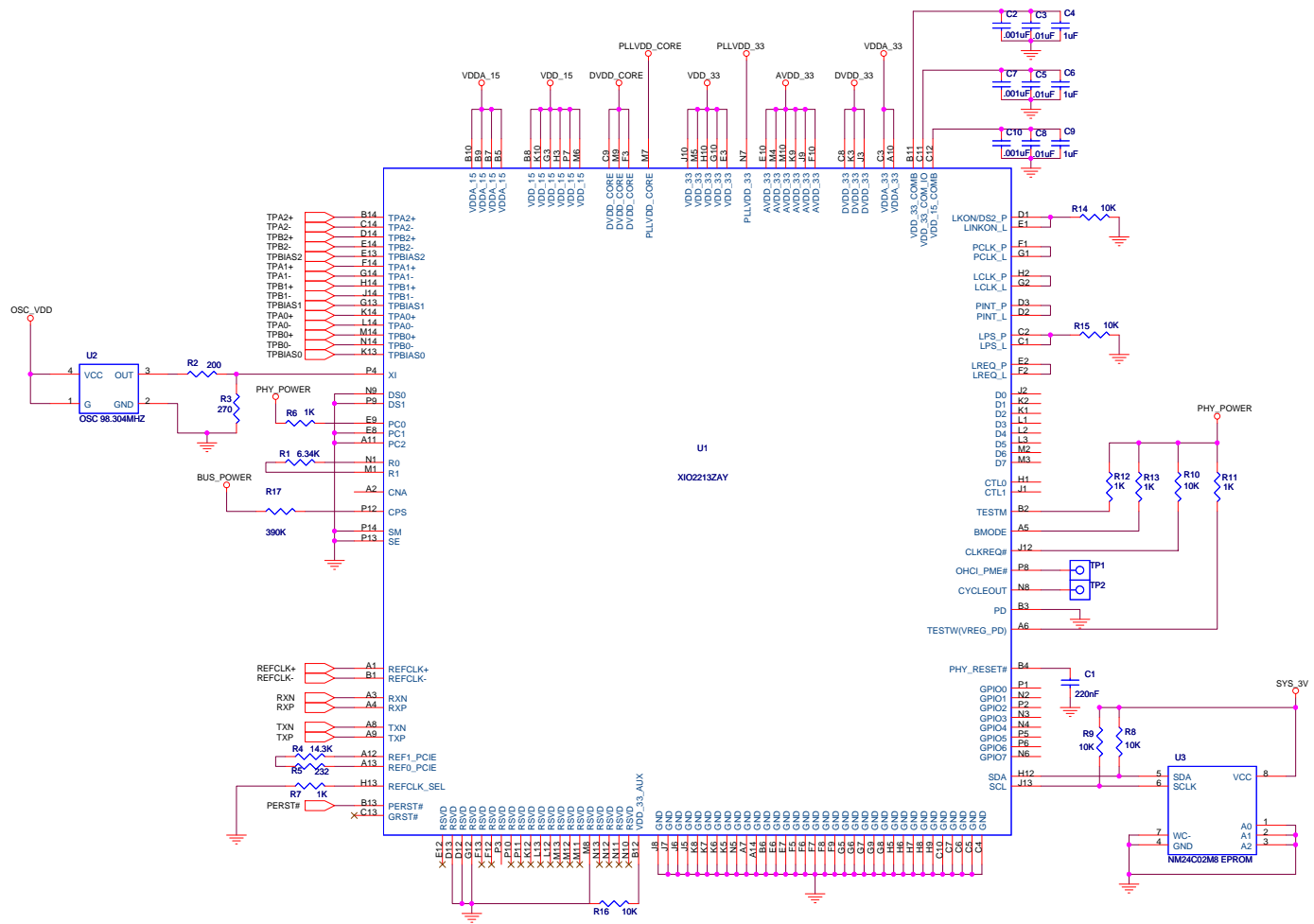
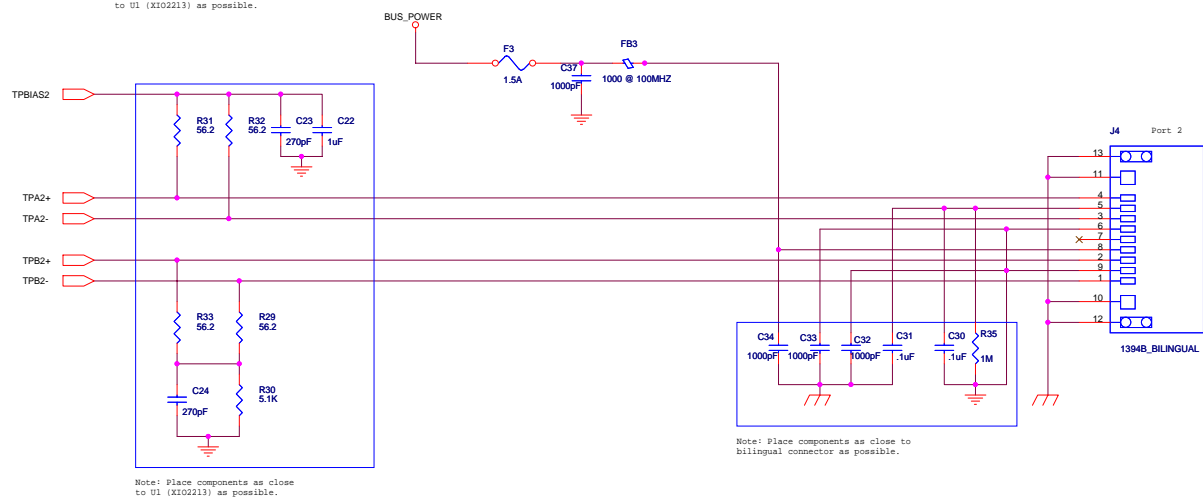
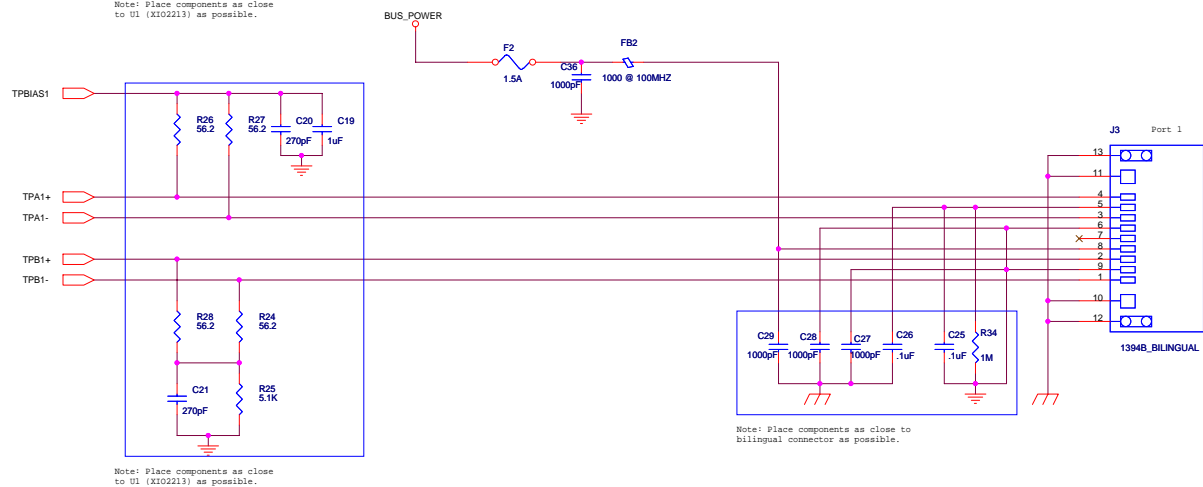
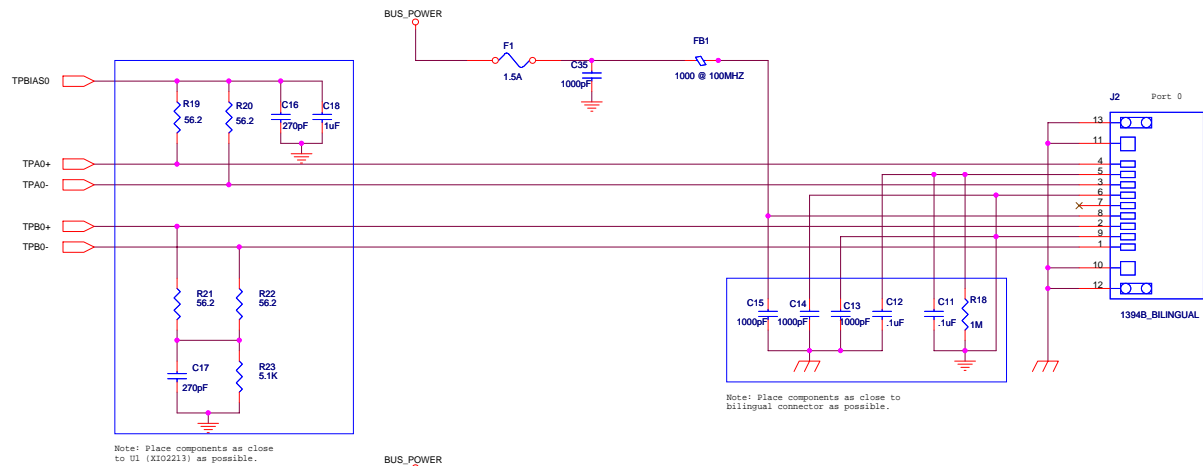


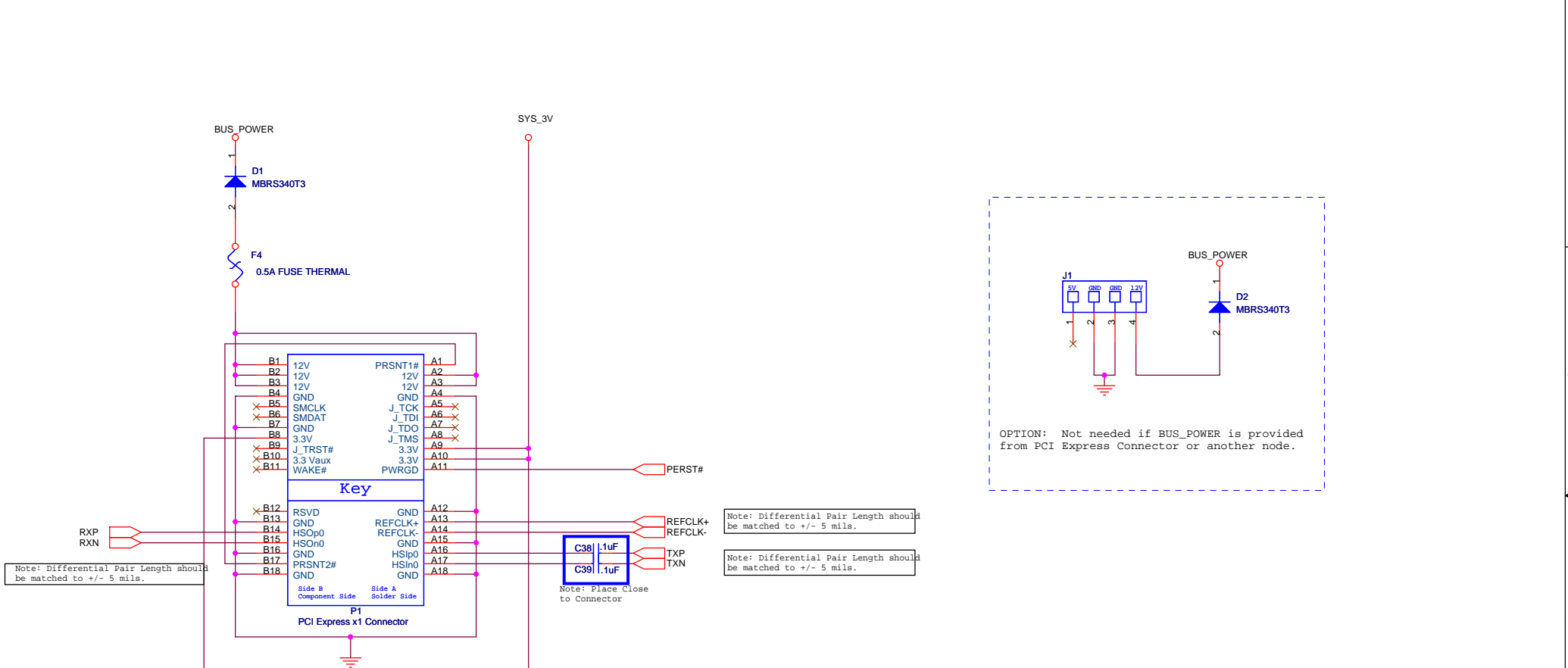
XIO2213ZAY REFERENCE DESIGN

Title		
XIO2213ZAY Reference		
Size	Document Number	Rev
A	<Doc>	A
Date:	Wednesday, September 19, 2007	Sheet 1 of 1





Title		1394b Connector	
Size	Document Number	Rev	
C	<Doc>	A	
Date:	Monday, September 24, 2007	Sheet	1 of 1

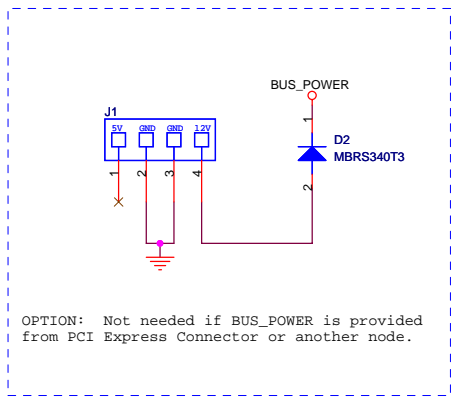


Note: Differential Pair Length should be matched to +/- 5 mils.

Note: Differential Pair Length should be matched to +/- 5 mils.

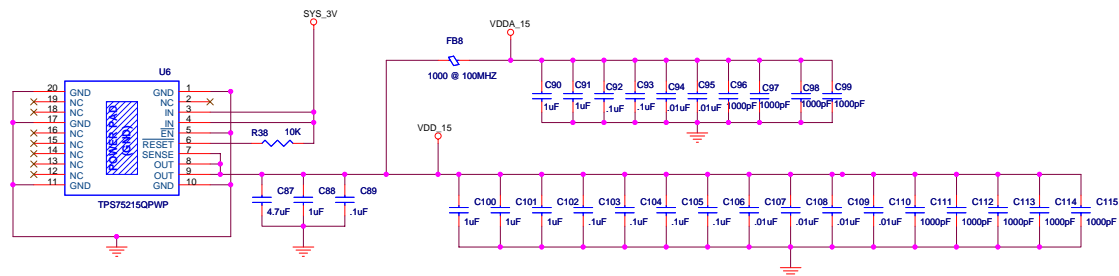
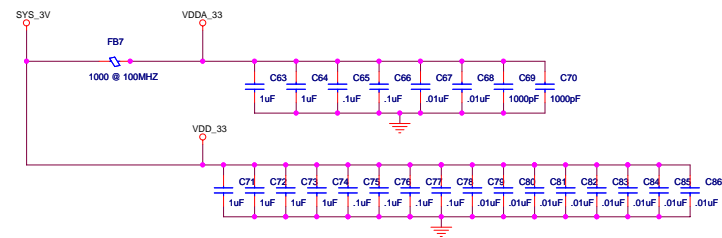
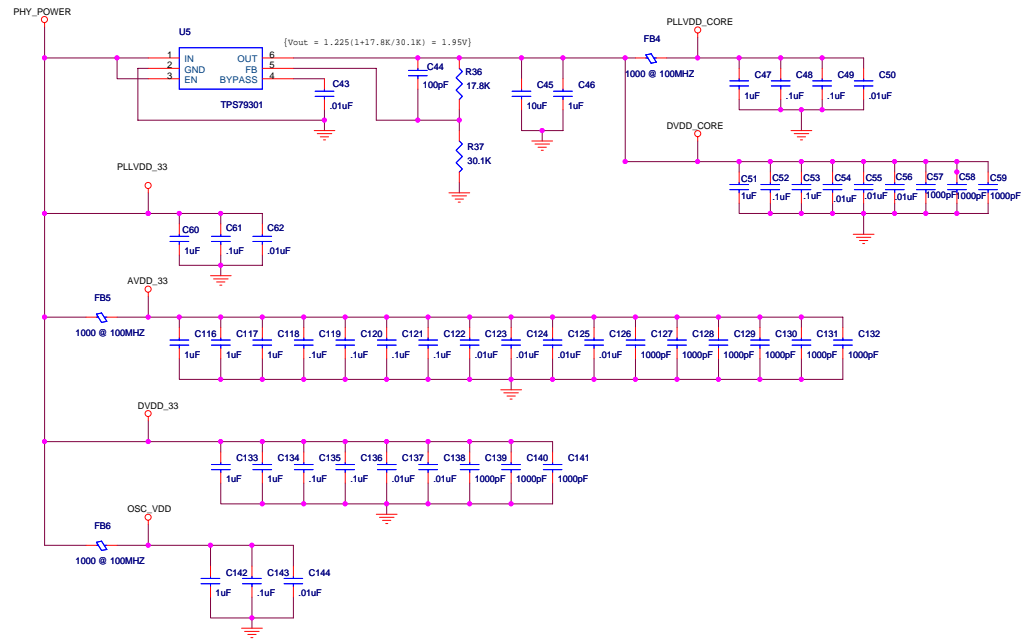
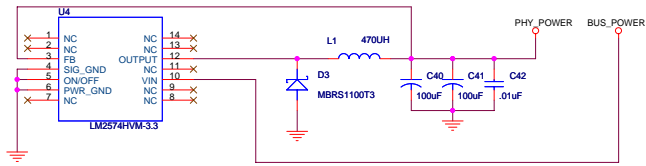
Note: Differential Pair Length should be matched to +/- 5 mils.

Note: Place Close to Connector



OPTION: Not needed if BUS_POWER is provided from PCI Express Connector or another node.

Title		
PCI Express Connector - BUS PWR Option		
Size B	Document Number	Rev A
	<Doc>	
Date:	Thursday, September 20, 2007	Sheet 1 of 1



Title			Power Rails
Size	Document Number	Rev	
C	<Doc>	A	
Date:	Thursday, October 11, 2007	Sheet	1 of 1