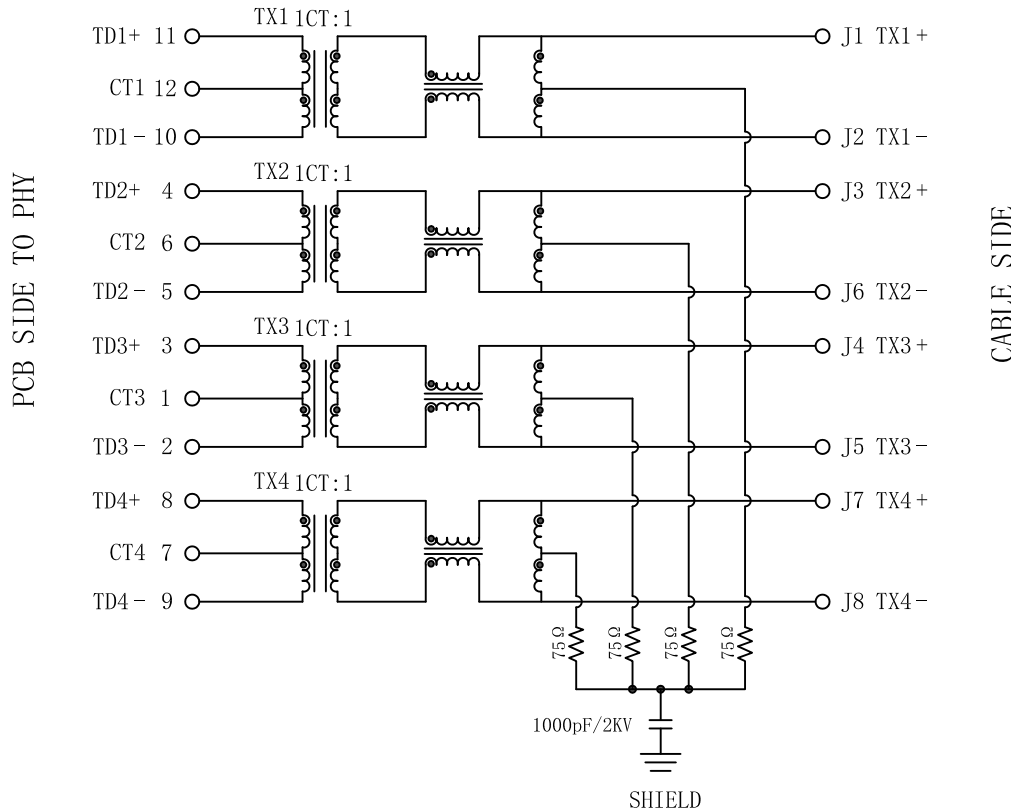


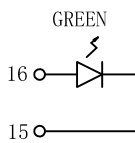
# Schematic:

REV.	ECN NO.	DESCRIPTION	DATE	APPD
A	REL		2008-11-06	



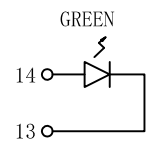
## ELECTRICAL SPECIFICATIONS @25°C

- Turn Ratio(±3%):  
Pri : Sec = 1CT : 1
- Inductance OCL: 350uH MIN  
@100KHz 0.1V 8mA DC Bias
- Insertion Loss:  
-1.0dB MAX @ 1-100MHz
- Return Loss:  
-18dB MIN @ 1-30MHz  
-15dB MIN @ 30-60MHz  
-12dB MIN @ 60-100MHz
- Cross talk:  
-40dB MIN @ 30MHz  
-35dB MIN @ 60MHz  
-30dB MIN @ 100MHz
- Common Mode Rejection:  
-30dB MIN @ 1-100MHz
- Hipot Test: 1500Vrms
- Operating Temperature Range: -40°C TO +85°C



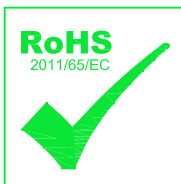
LEFT LED

LED POLARITY		COLOR
PIN 16	PIN 15	
+	-	GREEN



RIGHT LED

LED POLARITY		COLOR
PIN 14	PIN 13	
+	-	GREEN

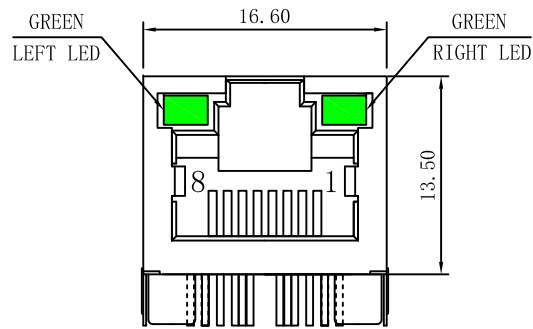


Emitting Color	λ p(nm)	VF@IF=20mA	IR @VR=5V
GREEN	565	1.8~2.6V	10 μ A max

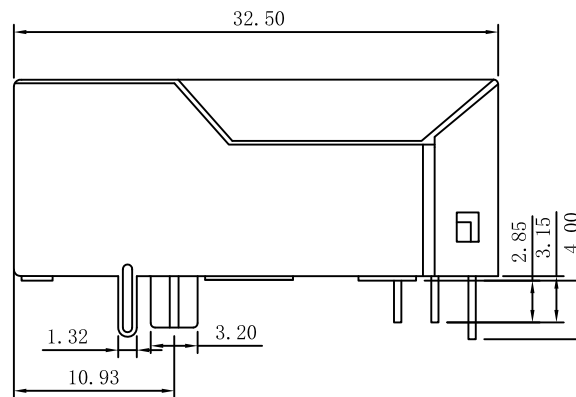
X:X ±0.30	APPD:	LINK-PP INT'L TECHNOLOGY CO., LIMITED		
X:XX ±0.25	CHKD:			
X:XXX ±0.05	DR: TOM	TITLE: RJ45 Connector with 1000 Base-T Integrated Magnetics		
ANGLES ±1°	UNIT: mm	PART NO.: LPJK4071BWNL		
	SCALE: 2/1	SHEET: 1/2	REV: A	DWG NO.: LP08110621

# Mechanical :

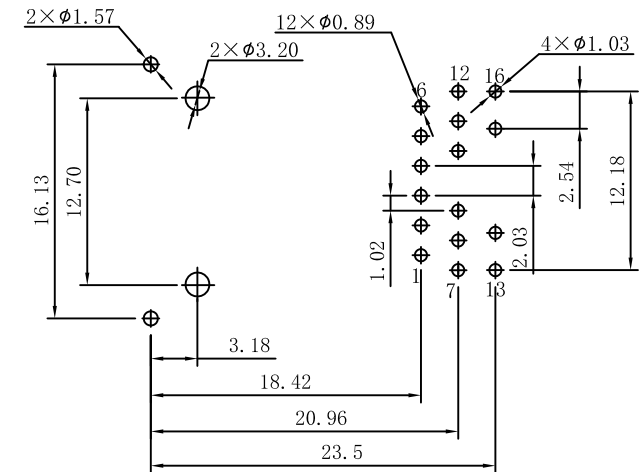
REV.	ECN NO.	DESCRIPTION	DATE	APPD
A	REL		2008-11-06	



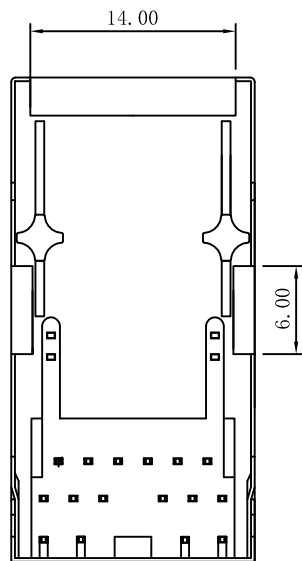
Front Side View



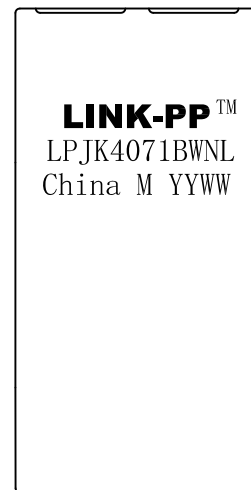
Left Side View



Suggested PCB Layout (Top View)



Bottom Side View



Top Side View

## NOTES:

1. Designed to support application, such as SOHO (ADSL modems), LAN-on-Motherboard (LOM), hub and Switches.
2. Meets IEEE 802.3 specification
3. Connector Materials:  
Housing: Thermoplastic UL94V-0  
Contact/Shield: Copper alloy  
Shield plating: Nickel  
Contact plating: Gold 6 micro-inches Min. In contact area.
4. Wave peak temperature: 260°C Max, 5Sec.
5. UL Certification: File Number E484635.



X:X	±0.30	APPD:	LINK-PP INT'L TECHNOLOGY CO., LIMITED	
X:XX	±0.25	CHKD:	TITLE: RJ45 Connector with 1000 Base-T Integrated Magnetics	
X:XXX	±0.05	DR: TOM	PART NO.: LPJK4071BWNL	
ANGLES	±1°	UNIT: mm	DWG NO.: LP08110621	
		SCALE: 2/1	SHEET: 2/2	REV: A