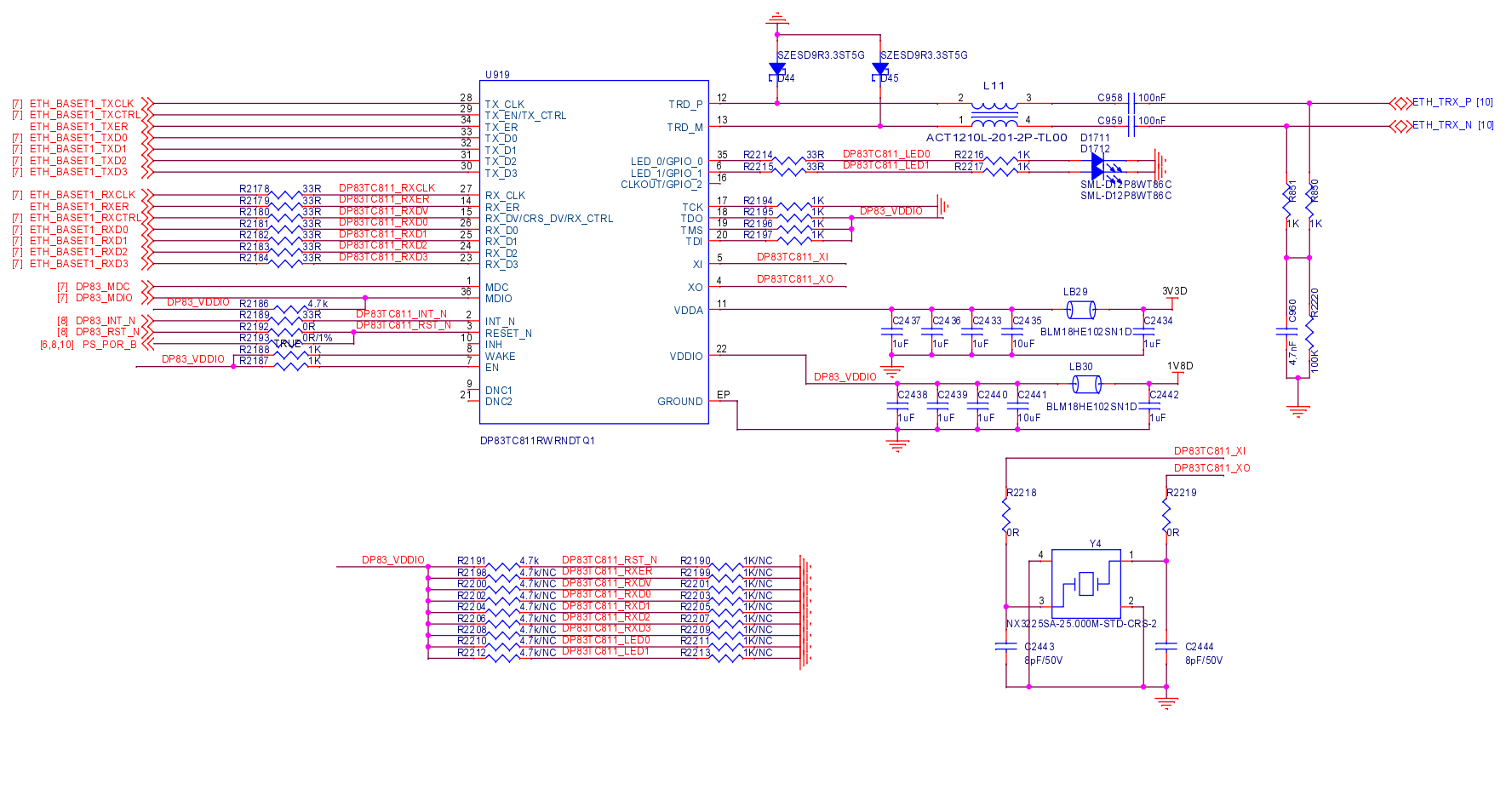
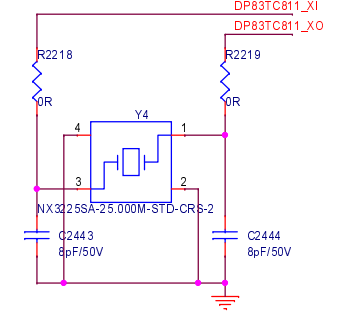


File	<Title>	Rev	1.0
Doc	Document Number		
Chg	<Doc>	Sheet	7 of 13

File: F:\dev_Arch\22_2022
Sheet: 7 of 13



DP83_VDDIO	R2191	4.7k	DP83TC811_RST_N	R2190	1k/NC
	R2198	4.7k/NC	DP83TC811_RXER	R2199	1k/NC
	R2200	4.7k/NC	DP83TC811_RXDV	R2201	1k/NC
	R2202	4.7k/NC	DP83TC811_RXD0	R2203	1k/NC
	R2204	4.7k/NC	DP83TC811_RXD1	R2205	1k/NC
	R2206	4.7k/NC	DP83TC811_RXD2	R2207	1k/NC
	R2208	4.7k/NC	DP83TC811_RXD3	R2209	1k/NC
	R2210	4.7k/NC	DP83TC811_LED0	R2211	1k/NC
	R2212	4.7k/NC	DP83TC811_LED1	R2213	1k/NC



Title		
<Title>		
Size	Document Number	Rev
B	<Doc>	1.0
Date:	Sunday, April 24, 2022	Sheet 11 of 13