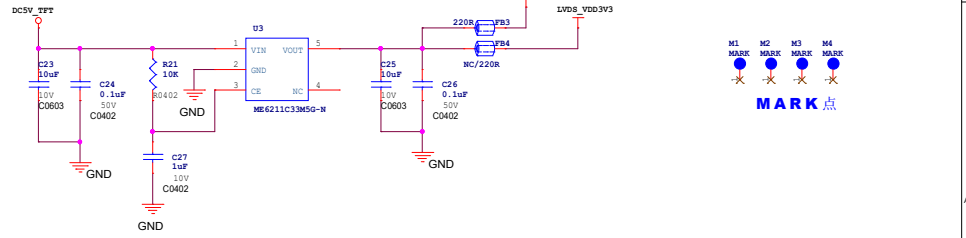
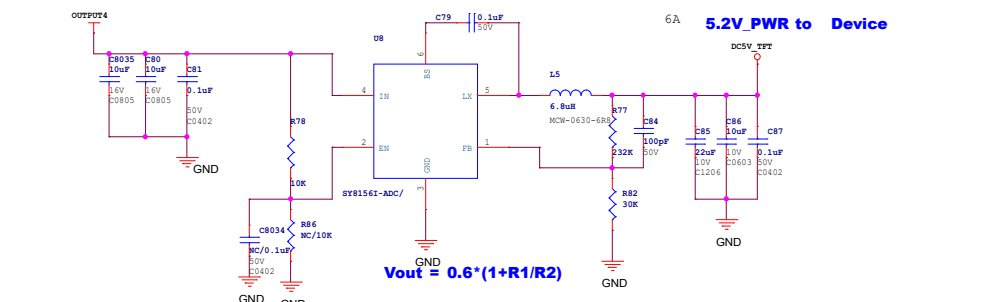
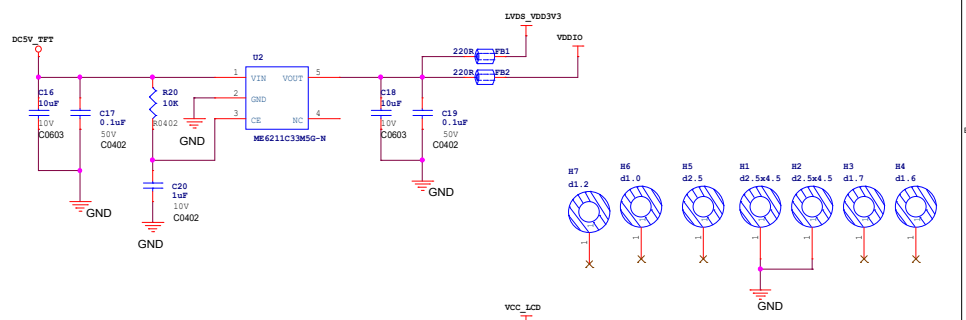
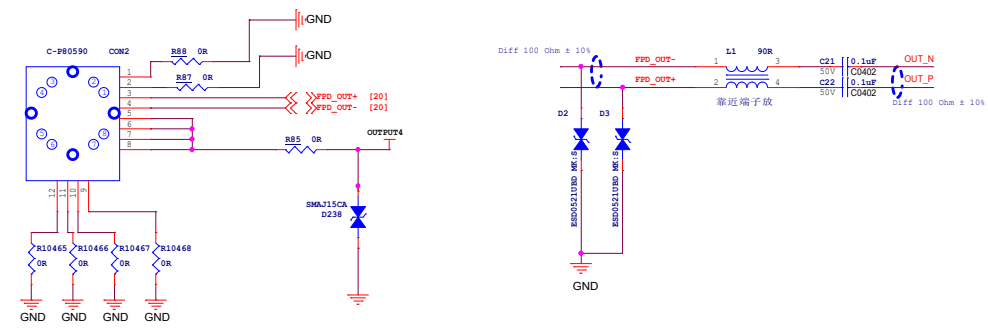
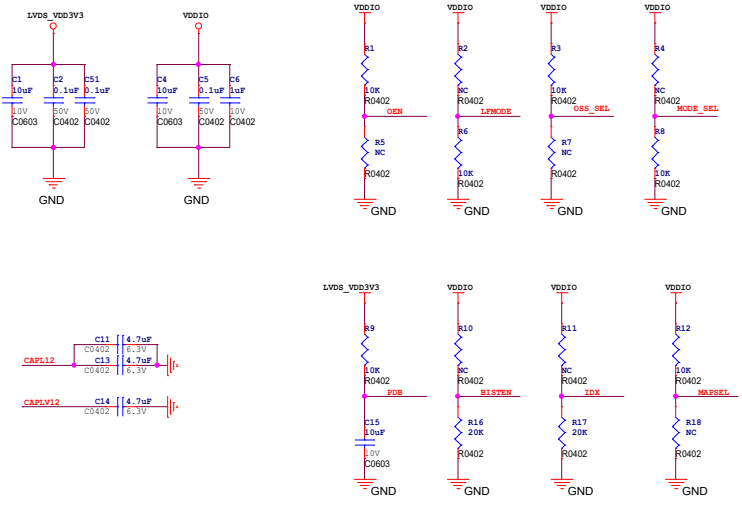
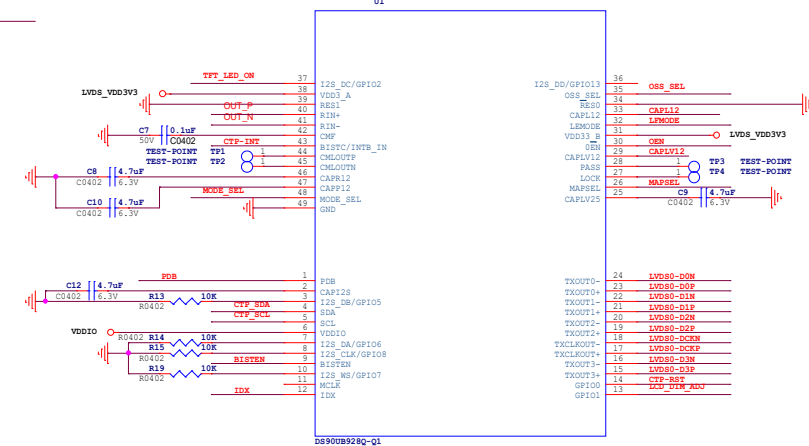


- [4] LVDS0-D0N
 - [4] LVDS0-D0P
 - [4] LVDS0-D1L
 - [4] LVDS0-D1+
 - [4] LVDS0-D2L
 - [4] LVDS0-D2+
 - [4] LVDS0-DCN
 - [4] LVDS0-DCP
 - [4] LVDS0-D3L
 - [4] LVDS0-D3+
-
- [4] LCD_DIM_ADJ
 - [4] CTP_RST
 - [4] CTP_SCL
 - [4] CTP_SDA
 - [4] CTP_INT
-
- [4] TFT_LED_ON

DS90UB928



Title		
CP020_LCD_V1.0		
Size	Document Number	Rev
c	DS90UB928	V1.0
Date:	Wednesday, January 17, 2024	Sheet 3 of 4