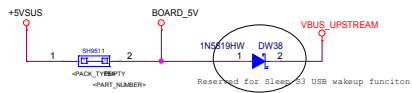
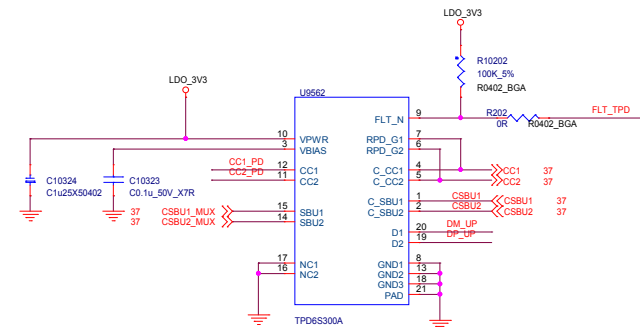
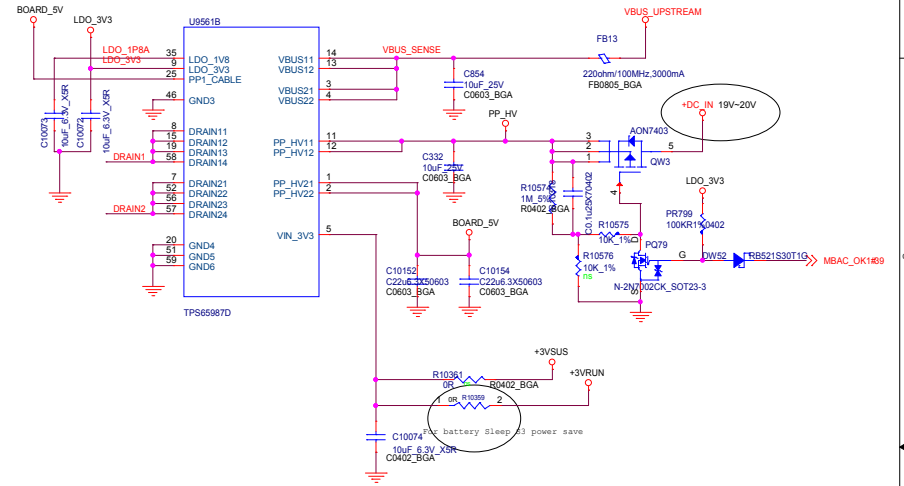
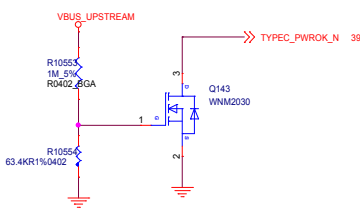
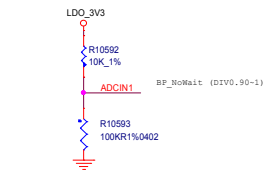
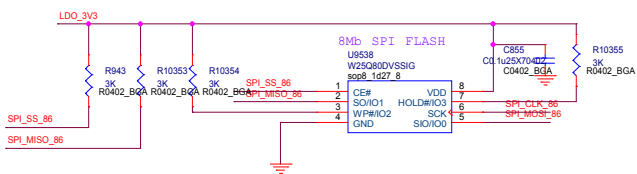
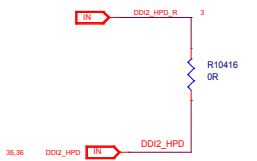
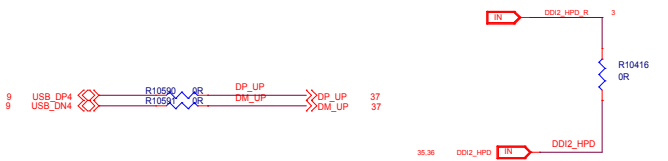
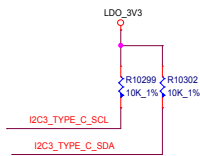
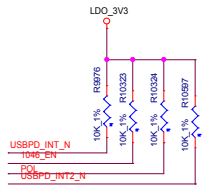
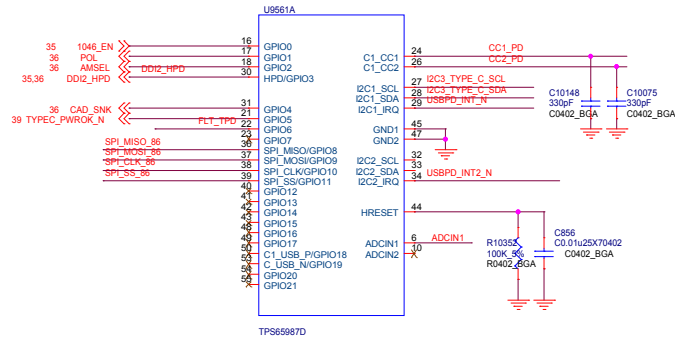


TYPE-C PD

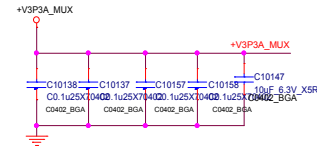
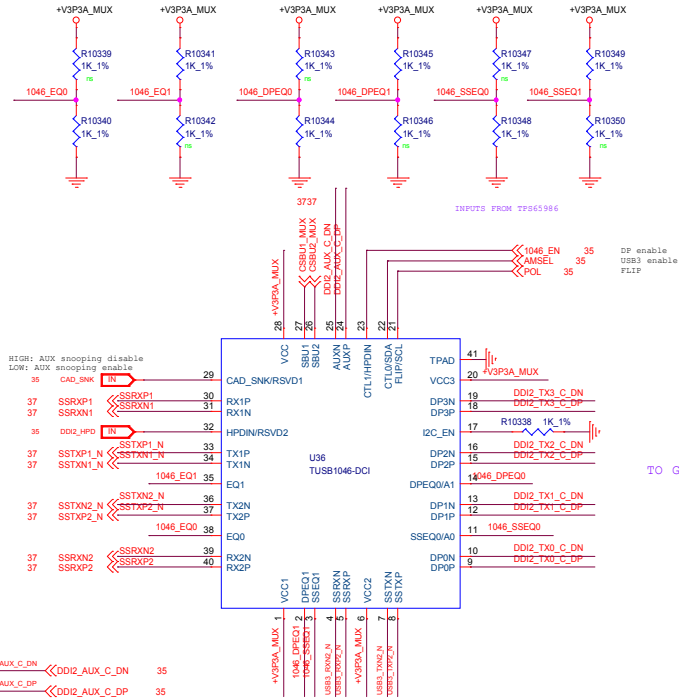
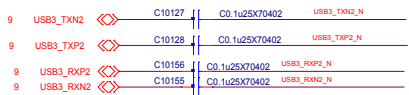
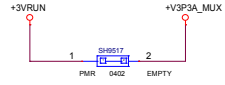


FROM MST HUB
EC GPIO



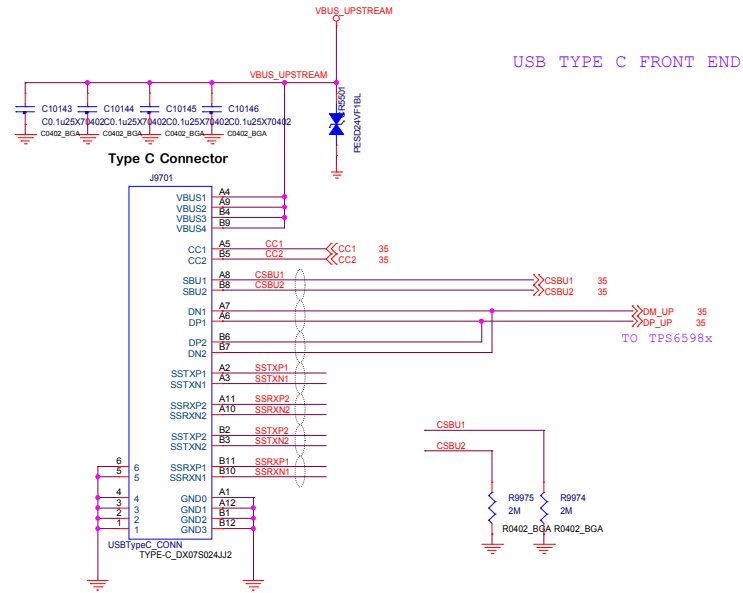
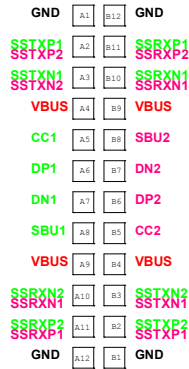
Title	<Title>		
Size	Document Number	Rev	QA
C	E7253		
Date:	Thursday, November 21, 2019	Sheet	35 of 54

TYPE-C MUX



TYPE-C CONN

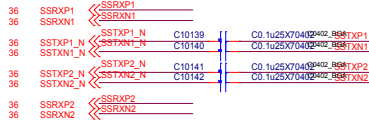
TypeC Connector Pin Mapping



USB TYPE C FRONT END

NOTE: ALL DIFF PAIRS ARE ROUTED 50 OHM DIFFERENTIAL AND 50 OHM COMMON MODE. ALL OTHER TRACES ARE 50 OHM.

KEEP ESD CLOSE TO CONNECTOR



KEEP CAPS CLOSE TO CONNECTOR
LET RESISTORS SHARE PADS

DIFFERENTIAL PAIR

