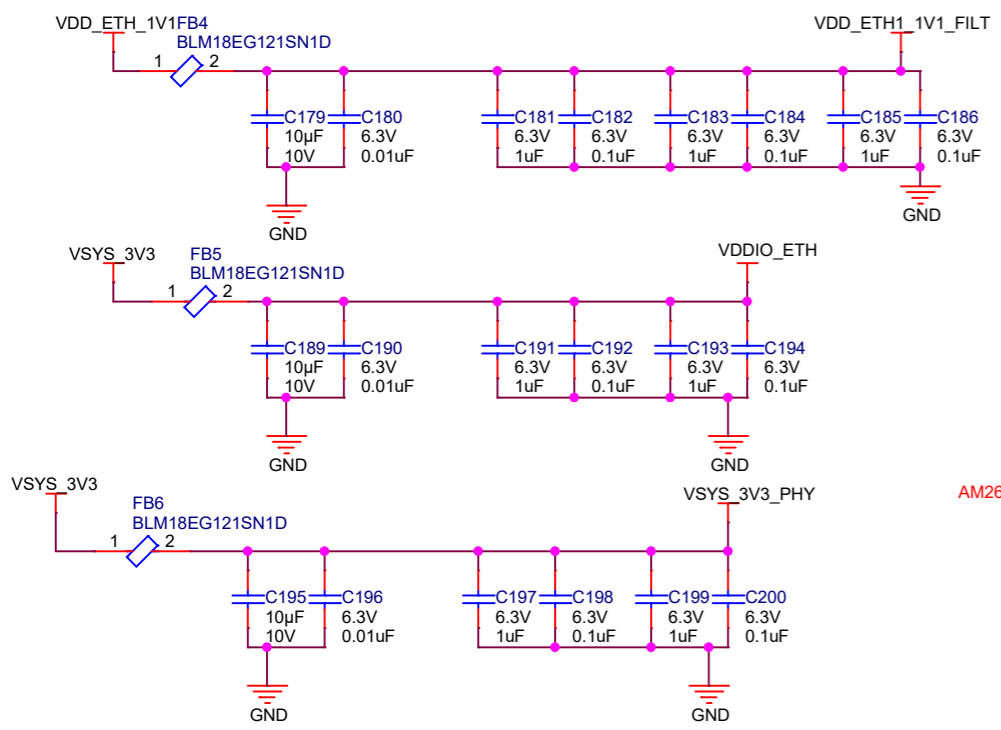
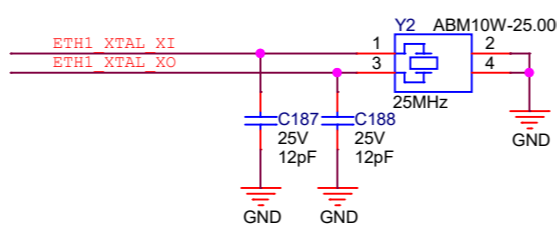


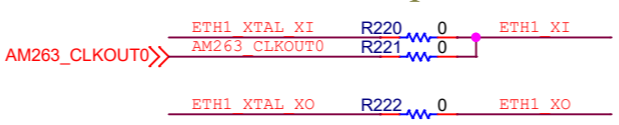
### PHY Decoupling



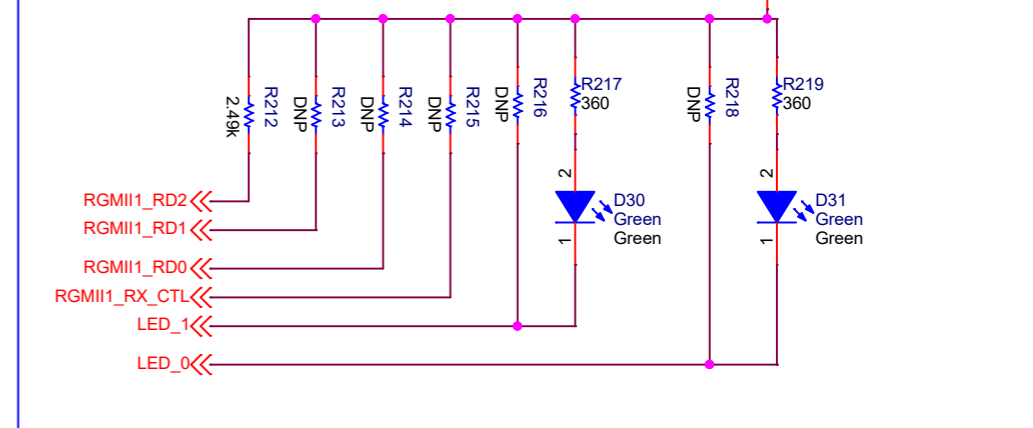
### 25 MHz Crystal



### Oscillator Input Selection



### STRAP RESISTOR



ADDRESS	RX_CTRL	STRP_1
0X00	OPEN	OPEN
0X04	13K	OPEN
0X05	4.5K	OPEN
0X08	OPEN	13K
0X10	OPEN	4.5K
0X12	13K	13K
0X13	4.5K	13K
0X14	13K	4.5K
0X15	4.5K	4.5K

	<b>Project : MC2500_M1_0</b>			<b>Schematic title : MC2500_M1_0_CONTROLLER</b>		
	ENTUPLE	NAME	SIGNATURE	DATE	SHEET NAME : OUTPUT	
	Prepared by	Mr.TEJAS			Drawing No: 001	
	Checked by	Mr.UMESH				
	Q&R				ISSUE:01	REV: NIL