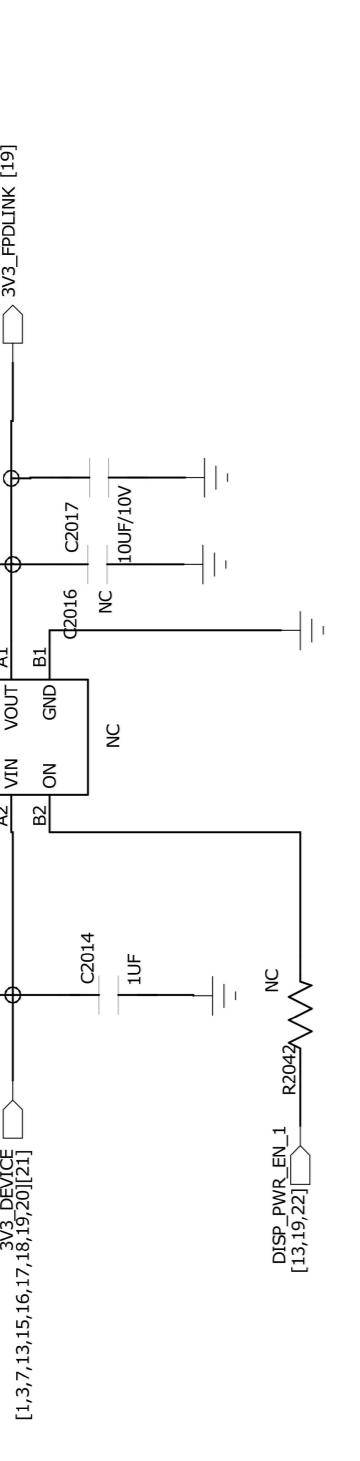


250mA max, route for 400mA



RGB[00:05] -> B[0:5]  
 RGB[06:11] -> G[0:5]  
 RGB[12:17] -> R[0:5]

0 5  
 LSB MSB

Table 4. Configuration Select (MODE\_SEL)

#	IDEAL RATIO $V_{ref}/V_{DD33}$	Ideal $V_{ref}$ (V)	SUGGESTED RESISTOR R3 K $\Omega$ (1% tol)	SUGGESTED RESISTOR R4 K $\Omega$ (1% tol)	LFMODE	REPEATER	BACKWARD COMPATIBL E	I2S Channel B (18-bit Mode)
1	0	0	Open	40.2 or Any	L	L	L	L
2	0.164	0.541	255	49.9	L	H	L	L
3	0.221	0.729	243	69.8	L	H	L	H
4	0.285	0.941	237	95.3	H	L	L	L
5	0.359	1.185	196	110	H	L	L	H
6	0.453	1.495	169	140	H	H	L	L
7	0.539	1.779	137	158	H	H	L	H
8	0.728	2.402	90.9	243	H	H	H	L

LFMODE:  
 L = frequency range is 15 - 85 MHz (Default)  
 H = frequency range is 5 - <15 MHz  
 Repeater:  
 L = Repeater OFF (Default)  
 H = Repeater ON  
 Backward Compatible:  
 L = Backward Compatible is OFF (Default)  
 H = Backward Compatible is ON, DES = DS90UR906Q or DS90UR16Q or DS90UR908Q  
 I2S Channel B:  
 L = I2S Channel B is OFF, Normal 24-bit RGB Mode (Default)  
 H = I2S Channel B is ON, 18-bit RGB Mode with I2S\_DB Enabled  
 Note: use of GPIO(s) on unused inputs must be enabled by register.

