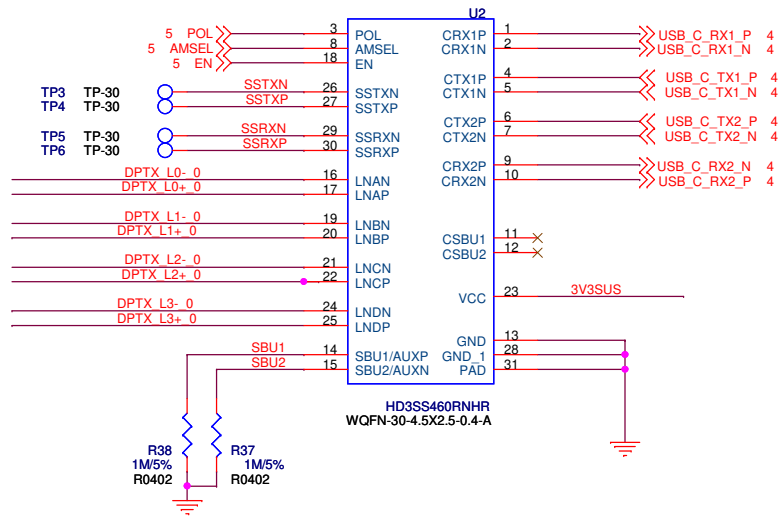
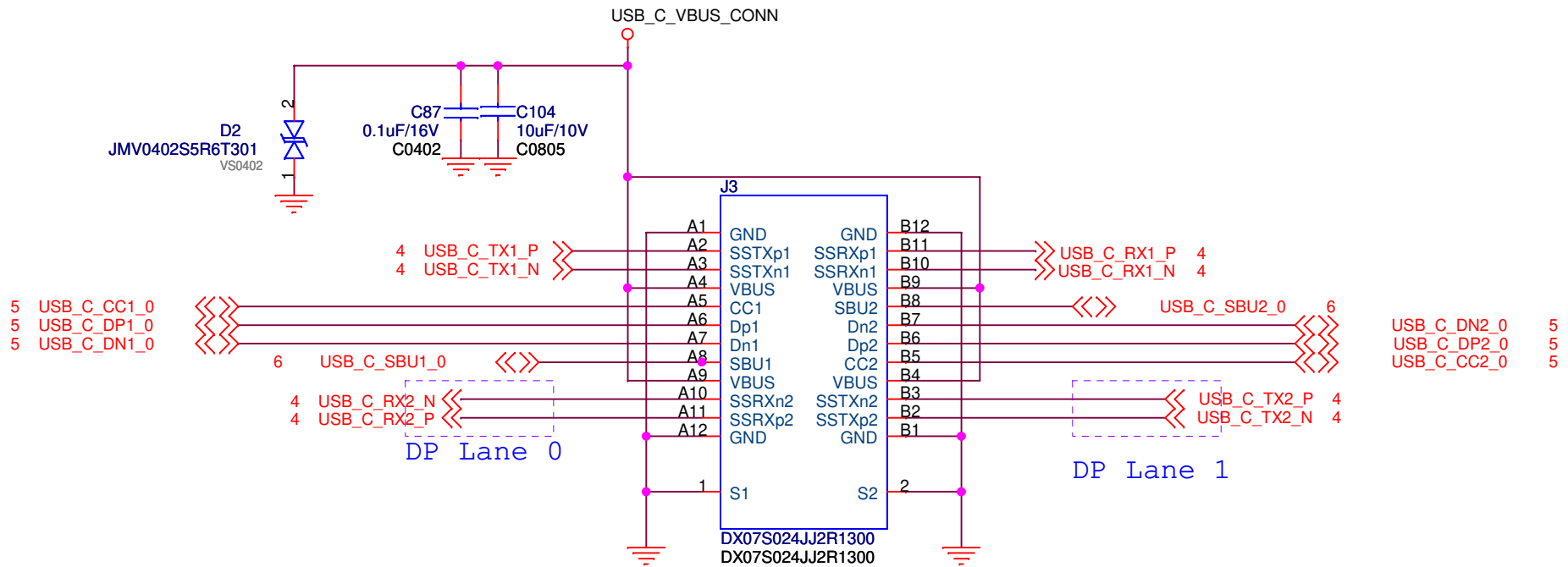


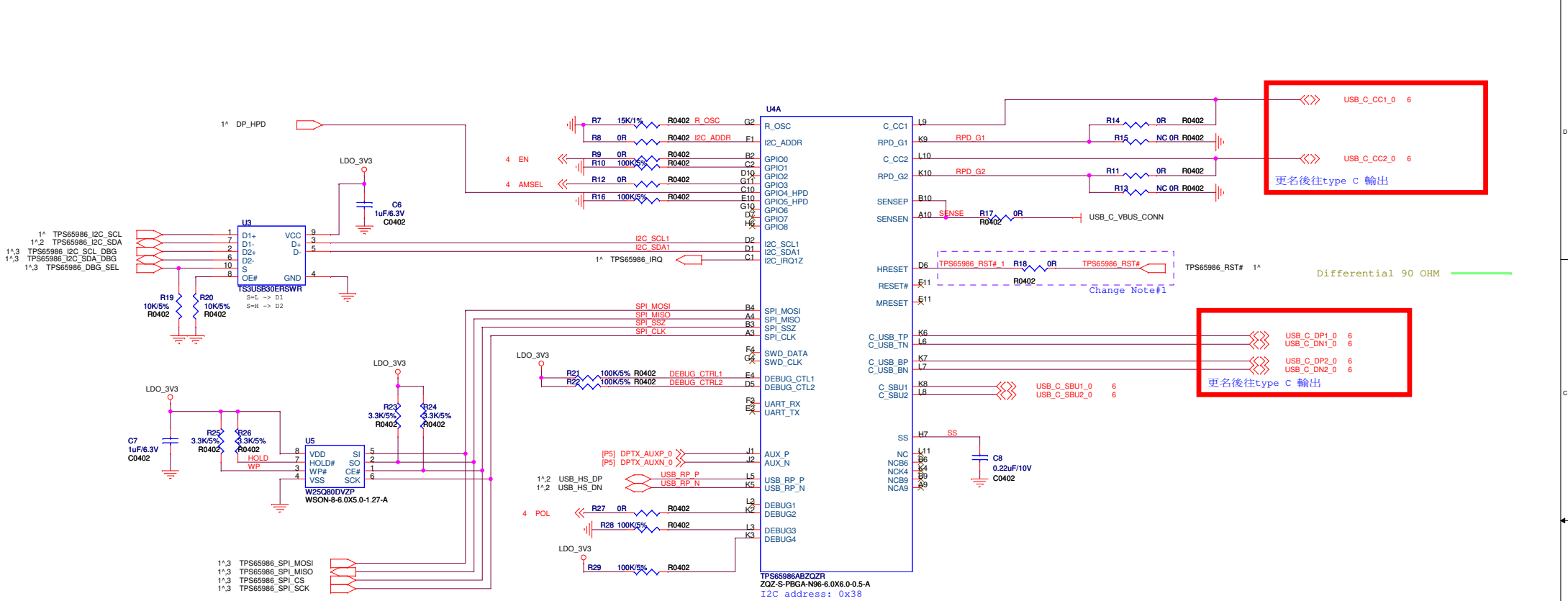
3V3SUS  
3V3SUS



Title		
<Title>		
Size	Document Number	Rev
B	<Doc>	<RevCode>
Date:	Monday, February 18, 2019	Sheet 1 of 1

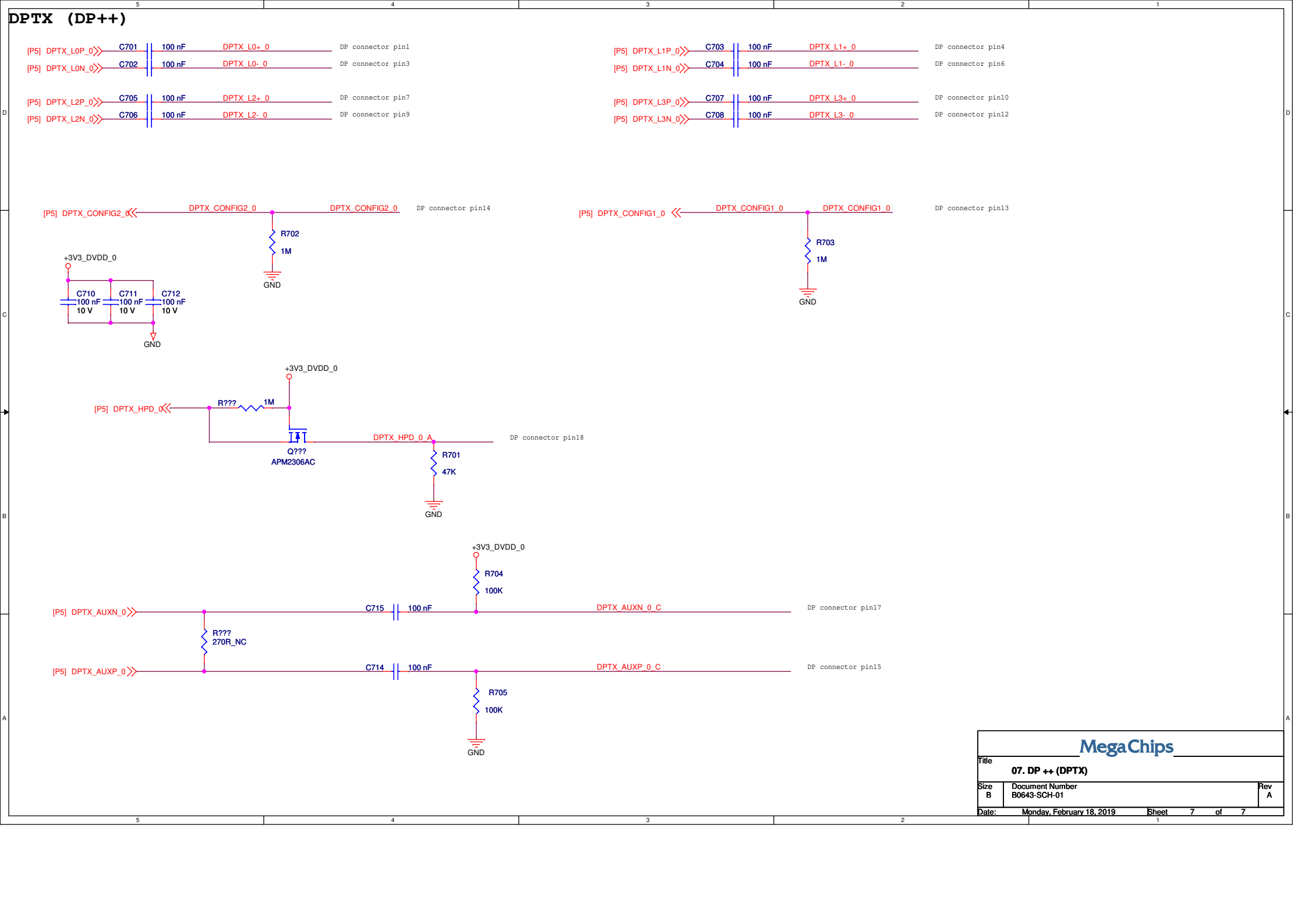


<b>JORJIN</b> <small>PROFESSIONAL ELECTRONIC COMPONENTS</small>		
Title <b>Coaxial Cable Connector</b>		
Size A	Document Number <b>J4H USB Board</b>	Rev D01
Date:	Monday, February 18, 2019	Sheet 2 of 6



It will be change into 12V input

<b>JOR&amp;JID</b>		
File <b>USB Type C</b>		
Size	Document Number	Rev
Custom	J4H USB Board	D01
Date:	Monday, February 18, 2019	Sheet 5 of 6



<b>MegaChips</b>		
Title		
<b>07. DP ++ (DPTX)</b>		
Size	Document Number	Rev
B	B0643-SCH-01	A
Date:	Monday, February 18, 2019	Sheet 7 of 7