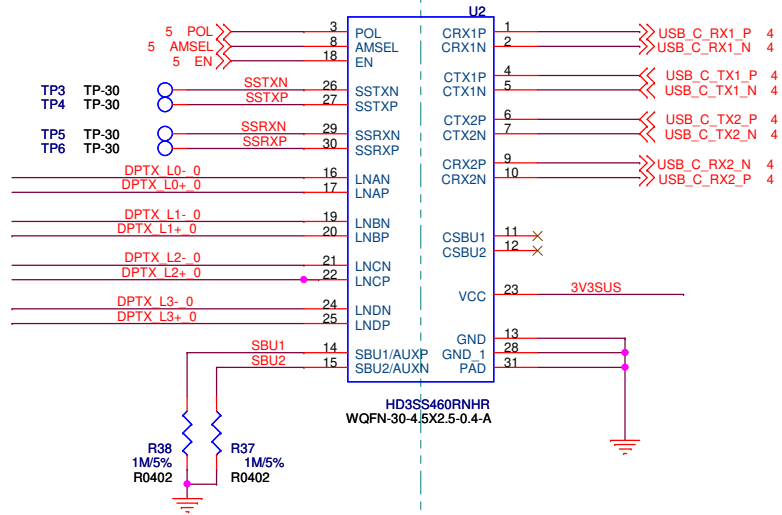


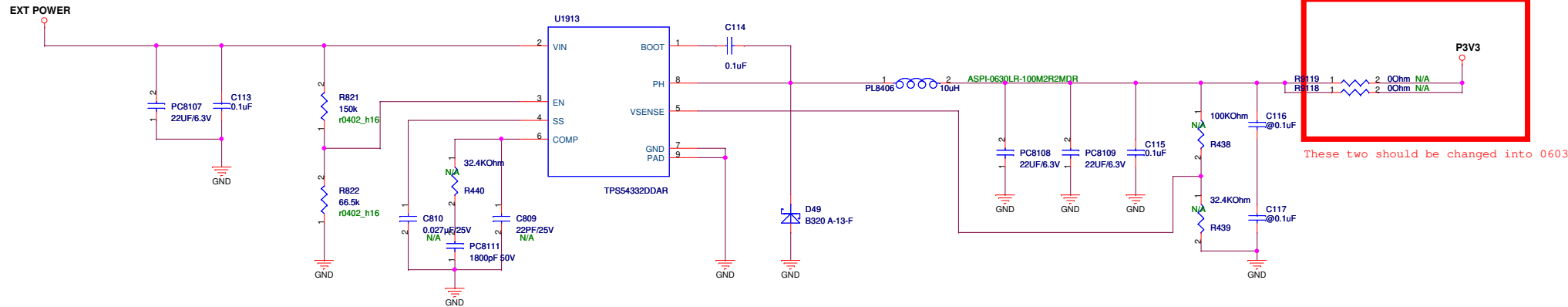
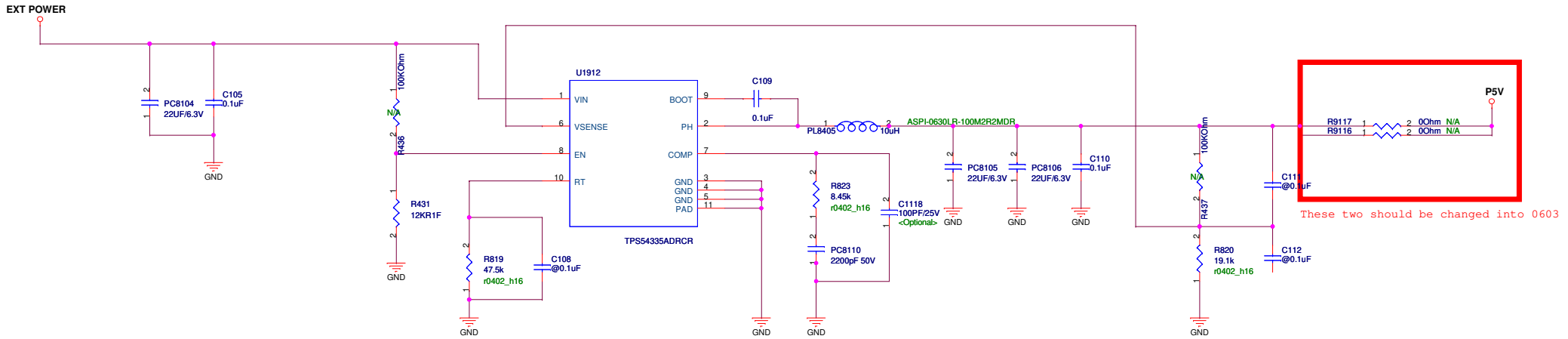
3V3SUS
3V3SUS

DP input From STDP2600

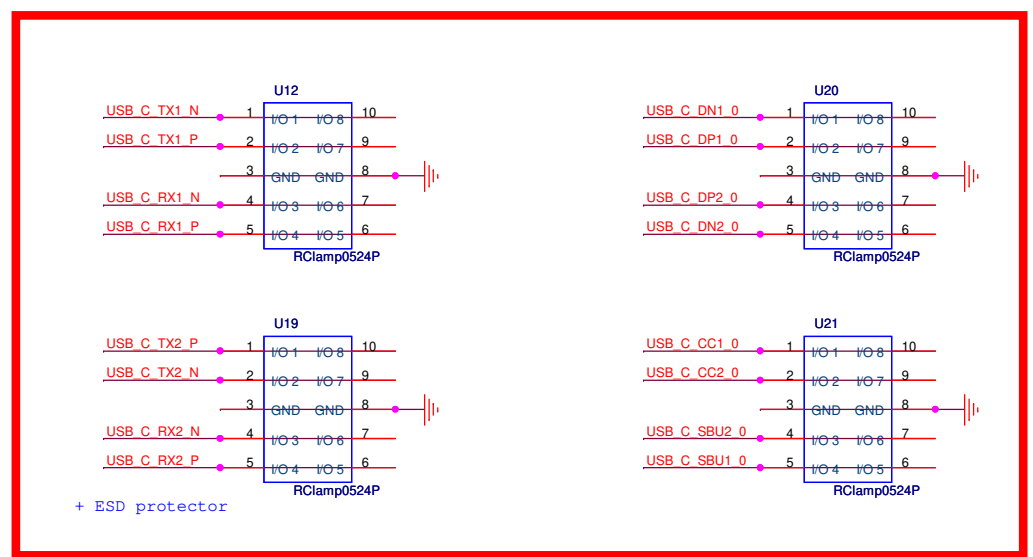
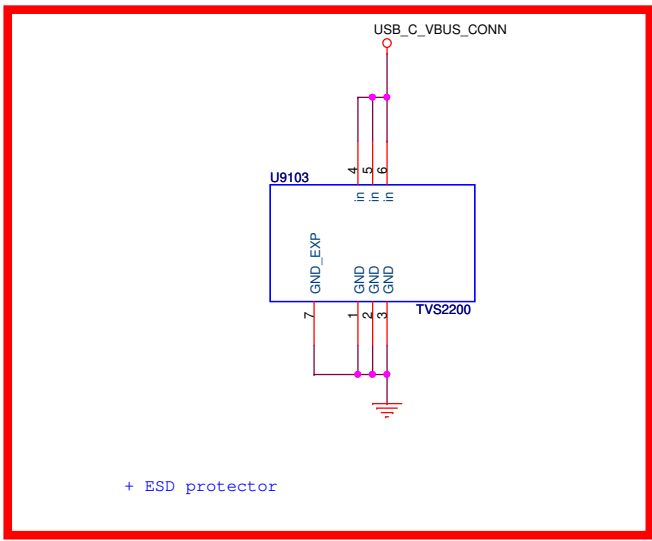
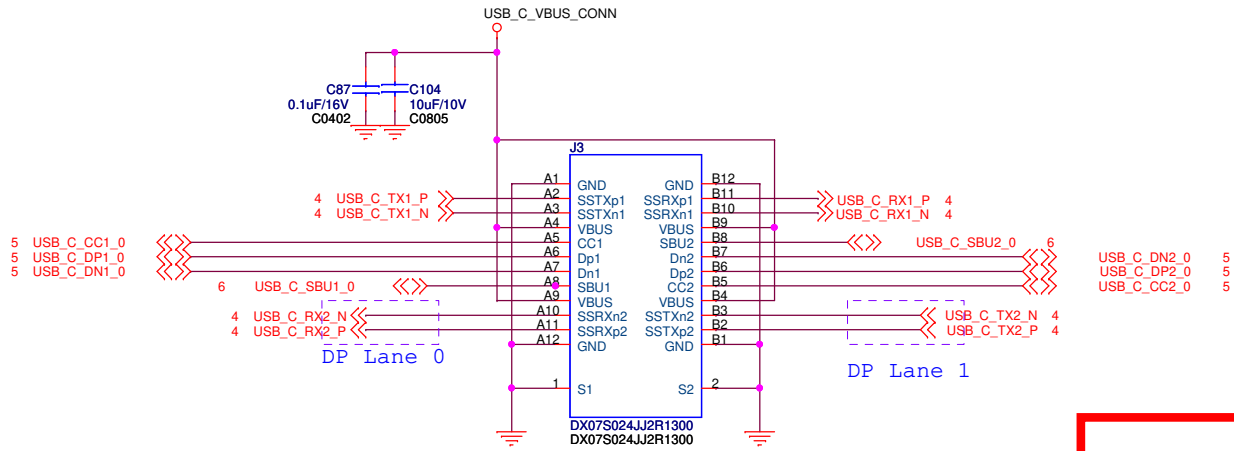


Output to USB Type C connector

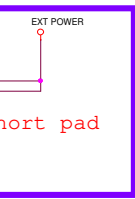
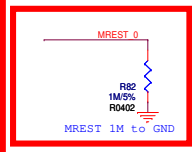
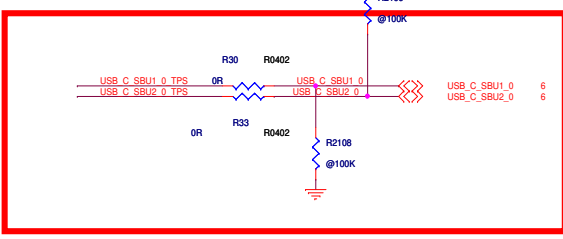
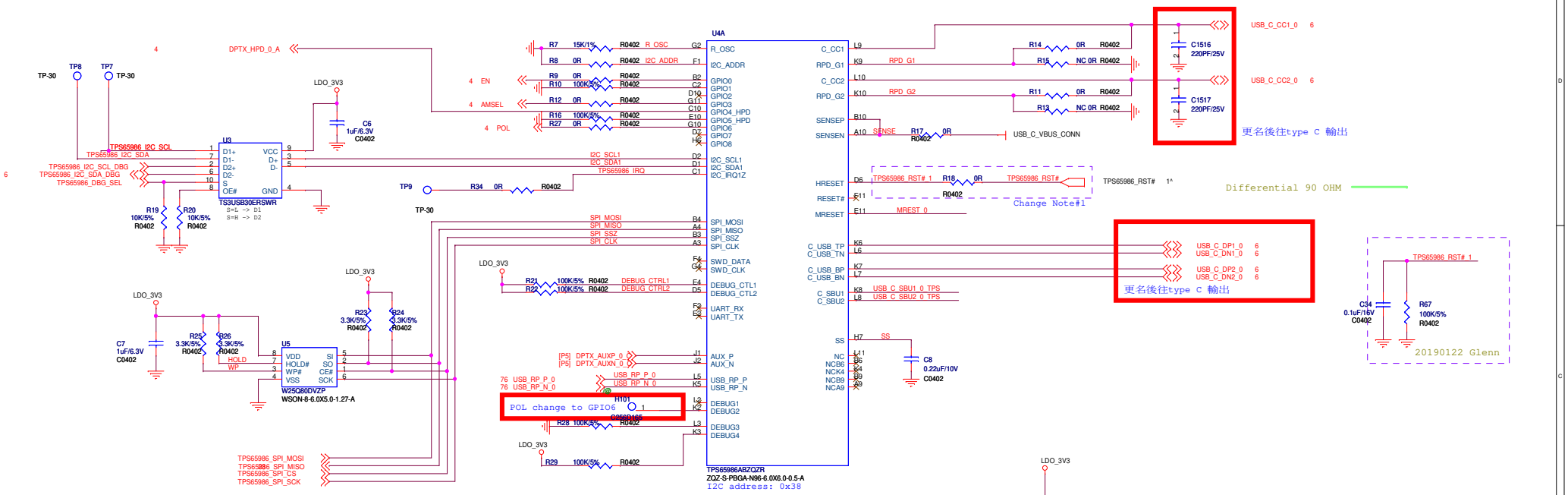
Title		
<Title>		
Size	Document Number	Rev
B	<Doc>	<RevCode>
Date:	Monday, March 04, 2019	Sheet 1 of 1



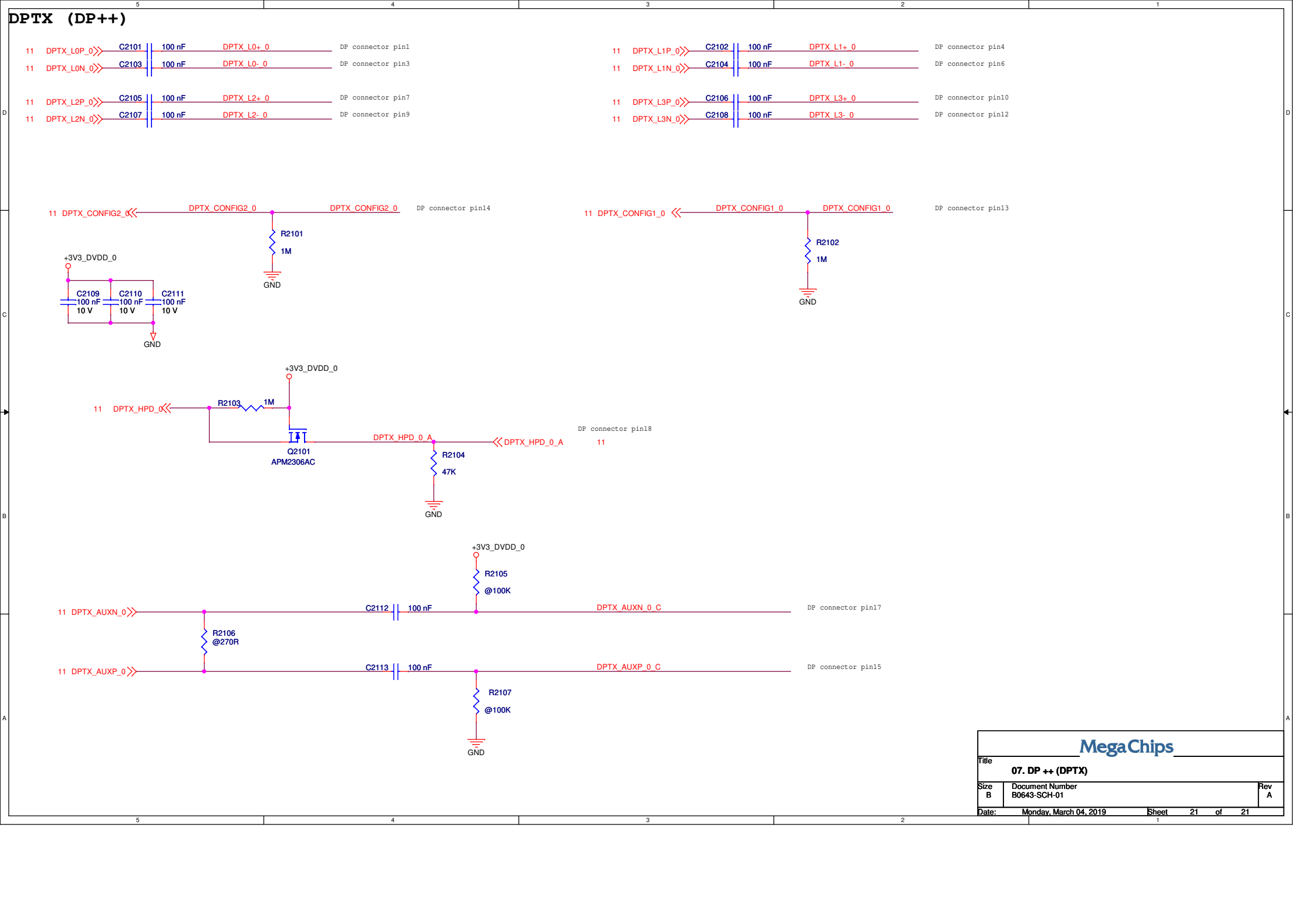
Title		
<Title>		
Size	Document Number	Rev
Custom-Doc		<RevCode>
Date:	Monday, March 04, 2019	Sheet 1 of 1



JORJIN		
Title Coaxial Cable Connector		
Size B	Document Number J4H USB Board	Rev D01
Date: Monday, March 04, 2019	Sheet 2	of 6



Rev	USB Type C	
Size	Document Number	Rev
C	J4H USB Board	D01
Date:	Monday, March 04, 2019	Sheet 5 of 6



MegaChips		
Title		
07. DP ++ (DPTX)		
Size	Document Number	Rev
B	B0643-SCH-01	A
Date:	Monday, March 04, 2019	Sheet 21 of 21