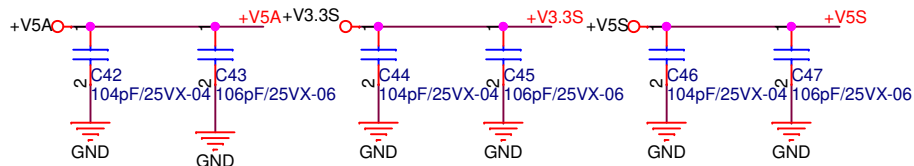
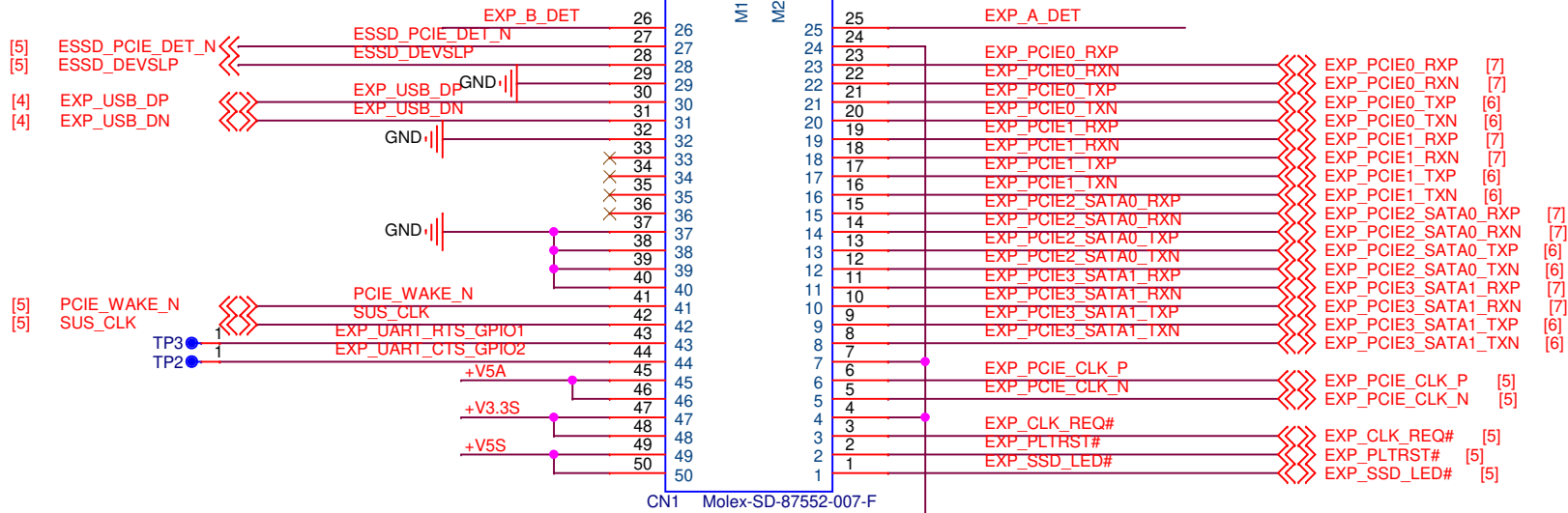
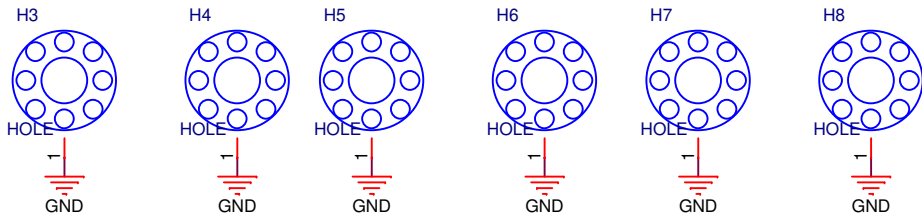


EXP_B_DET R31 1 2 0-04 EXP_A_DET

PIN: 30V/1A

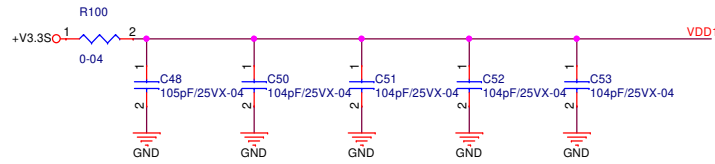


screw hole

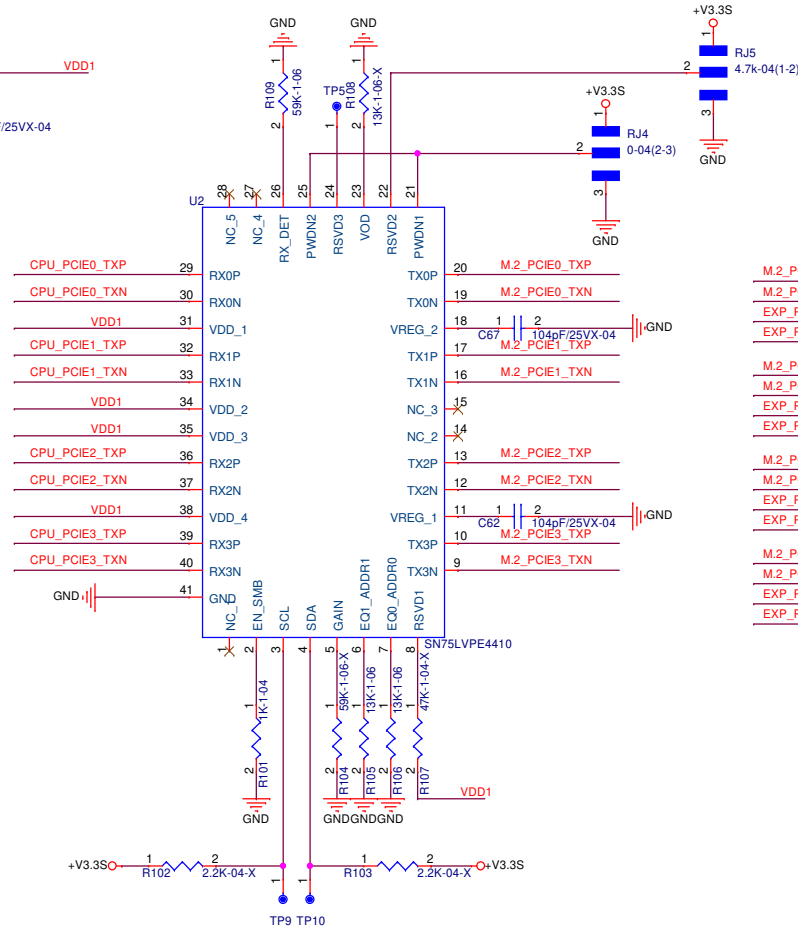
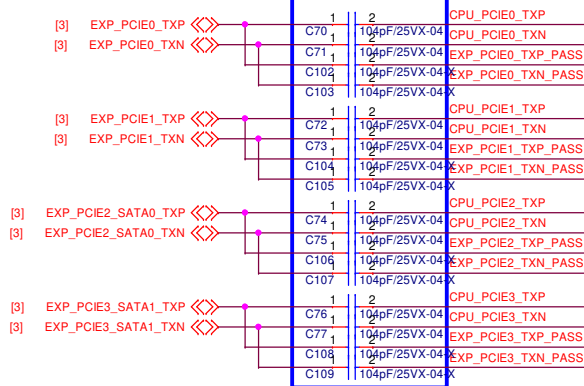


Winmate Communication INC.		
Title: I/O CIRCUIT		
Size: A4	Document Number: L133SS	Rev: 100
Date: Thursday, February 25, 2021	Sheet: 3	of 8

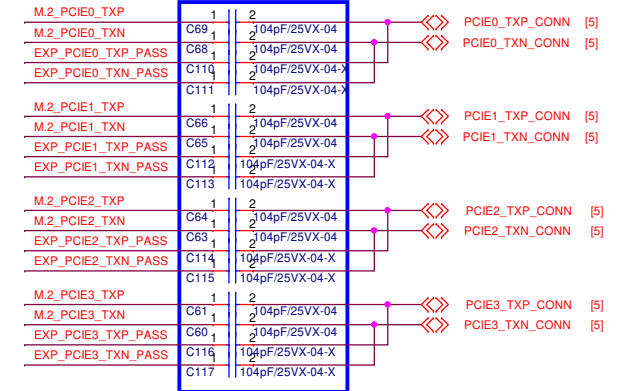
SN75LVPE4410 TX Repeater



CO-LAY



CO-LAY



4-level control pin settings

LEVEL	R[ohms]
L0	1k
L1	13k
L2	float
L3	59k

DC Gain settings

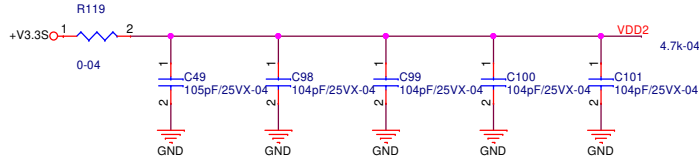
Desired DC Gain (dB)	GAIN	VOD
+3.5	L3	L2
0	L2	L2
-1.5	L2	L3
-3.5	L2	L1
-6	L2	L0

The SN75LVPE4410 has six (**GAIN, VOD, EQ0_ADDRO, EQ1_ADDR1, EN_SMB & RX_DET**)

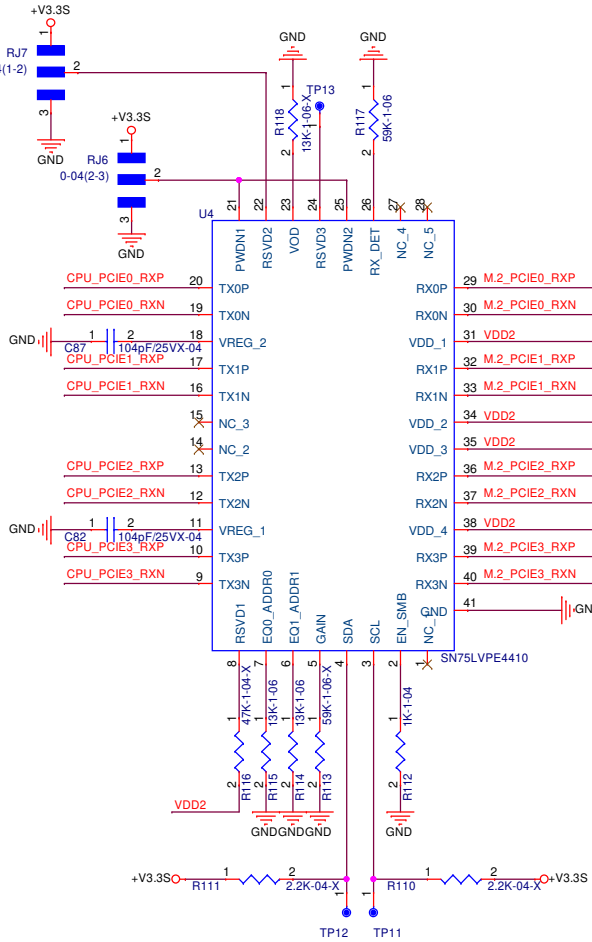
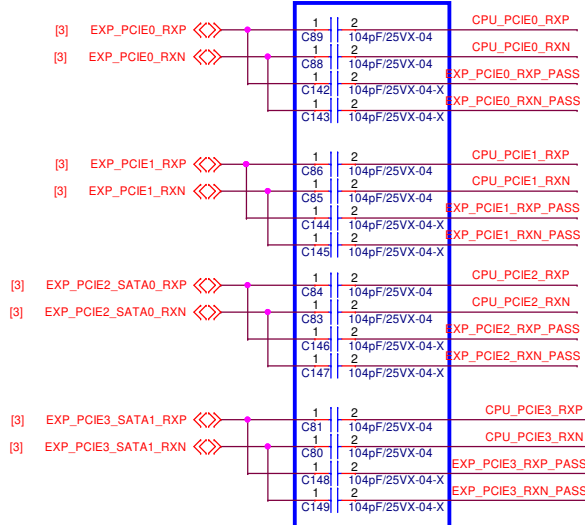
4-level inputs pin that are used to control the configuration of the device. These 4-level inputs use a resistor divider to help set the four valid levels and provide a wider range of control settings.

(R : R101, R104, R105, R106, R108, R109)

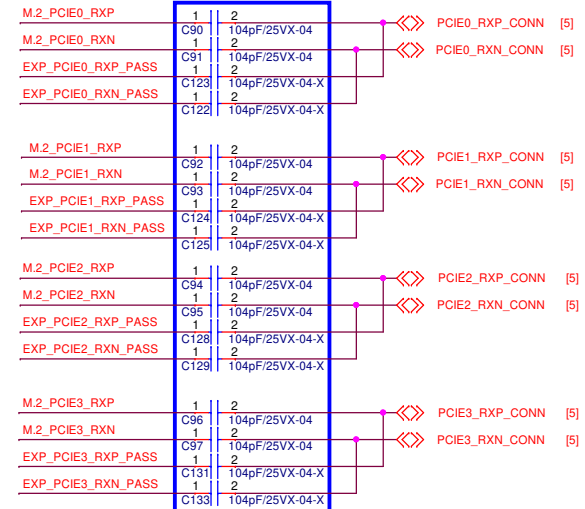
SN75LVPE4410 RX Repeater



CO-LAY



CO-LAY



4-level control pin settings

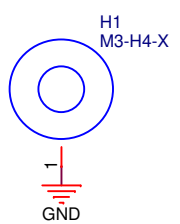
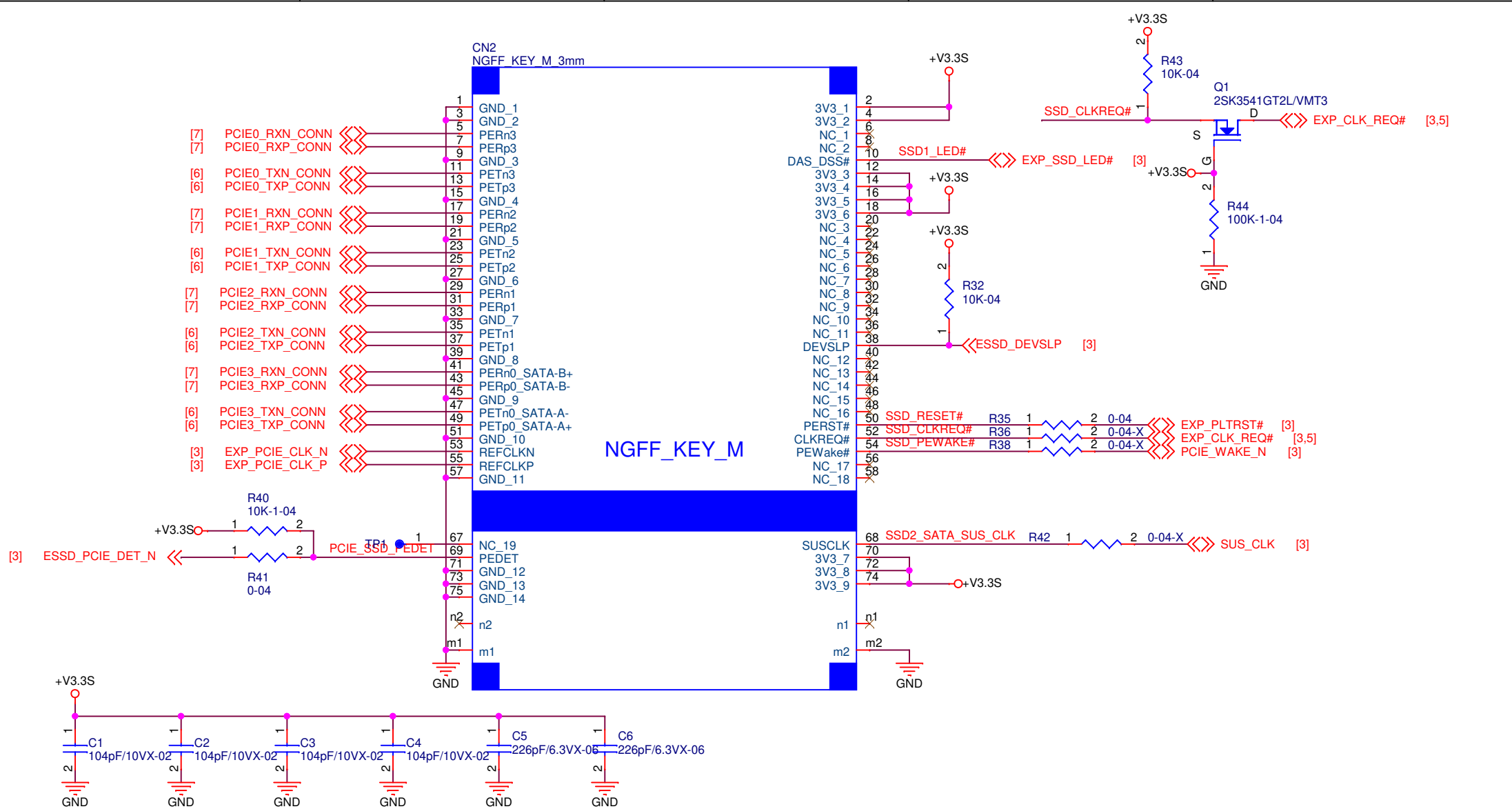
LEVEL	R[ohms]
L0	1k
L1	13k
L2	float
L3	59k

DC Gain settings

Desired DC Gain (dB)	GAIN	VOD
+3.5	L3	L2
0	L2	L2
-1.5	L2	L3
-3.5	L2	L1
-6	L2	L0

The SN75LVPE4410 has six (GAIN, VOD, EQ0_ADDR0, EQ1_ADDR1, EN_SMB & RX_DET)

4-level inputs pin that are used to control the configuration of the device. These 4-level inputs use a resistor divider to help set the four valid levels and provide a wider range of control settings. (R : R112, R113, R114, R115, R117, R118)



Winmate Communication INC.		
Title		
M.2M-SSD		
Size	Document Number	Rev
A4	L133SS	100
Date:	Thursday, February 25, 2021	Sheet 6 of 8