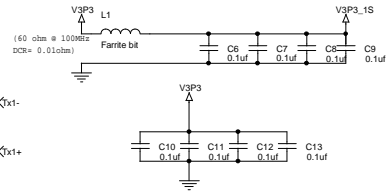


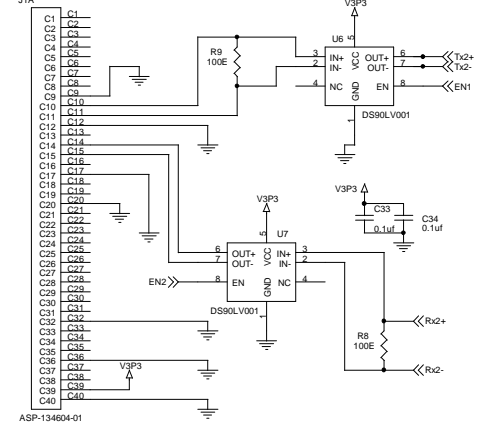
Resistors connected at the differential outputs of the serializer should be placed as close as possible to the serializer

RX+/RX- and TX+/TX- lines must have differential impedance of 100 ohm with trace impedance of 50 ohm

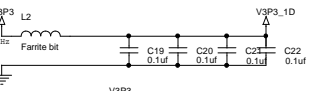
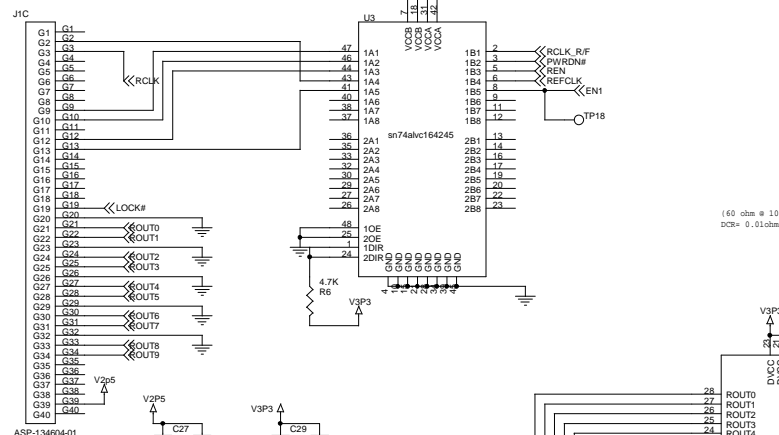
NOTE: Dont mount R1 during board assembly



In- and in+ lines for U6 must have differential impedance of 100 ohm with trace impedance of 50 ohm.

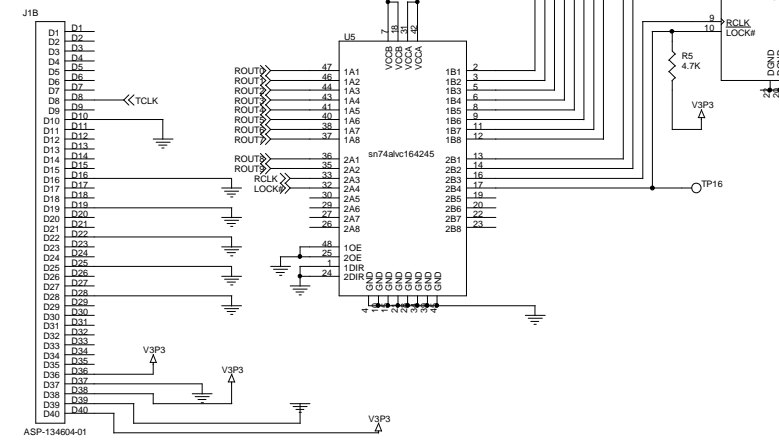
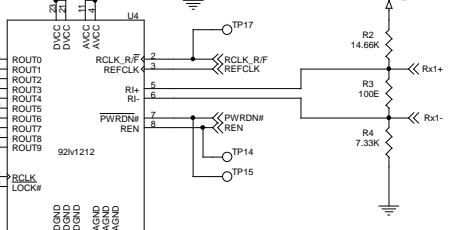


RX2+/RX2- and TX2+/TX2- lines must have differential impedance of 100 ohm with trace impedance of 50 ohm



Resistors connected at the differential outputs of the Deserializer should be placed as close as possible to the Deserializer

RX+/RX- and TX+/TX- lines must have differential impedance of 100 ohm with trace impedance of 50 ohm



Title	<Title>
Size	Document Number
Customer	Doc#
Date	Wednesday, April 08, 2015
Sheet	1 of 1
Rev	<Rev Code>