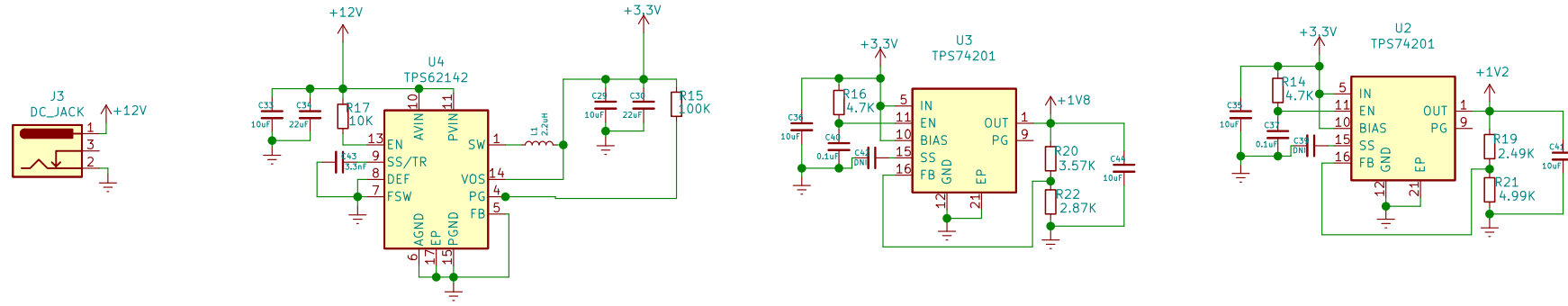
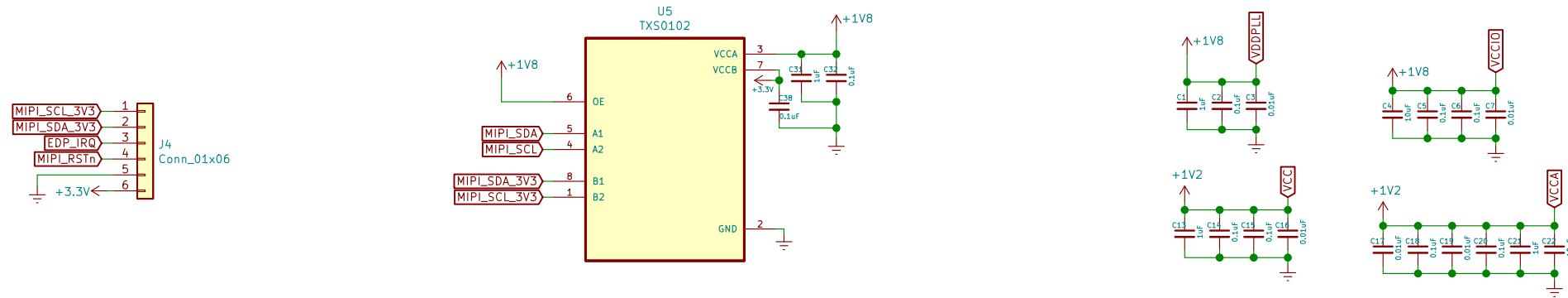


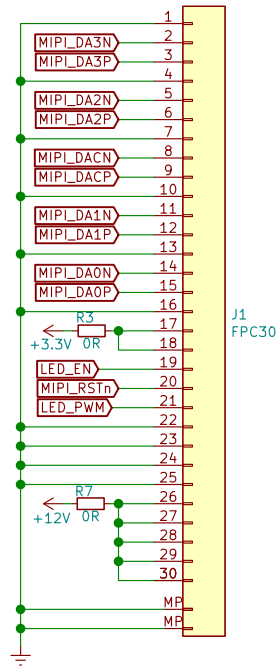
VOLTAGE_REGULATORS



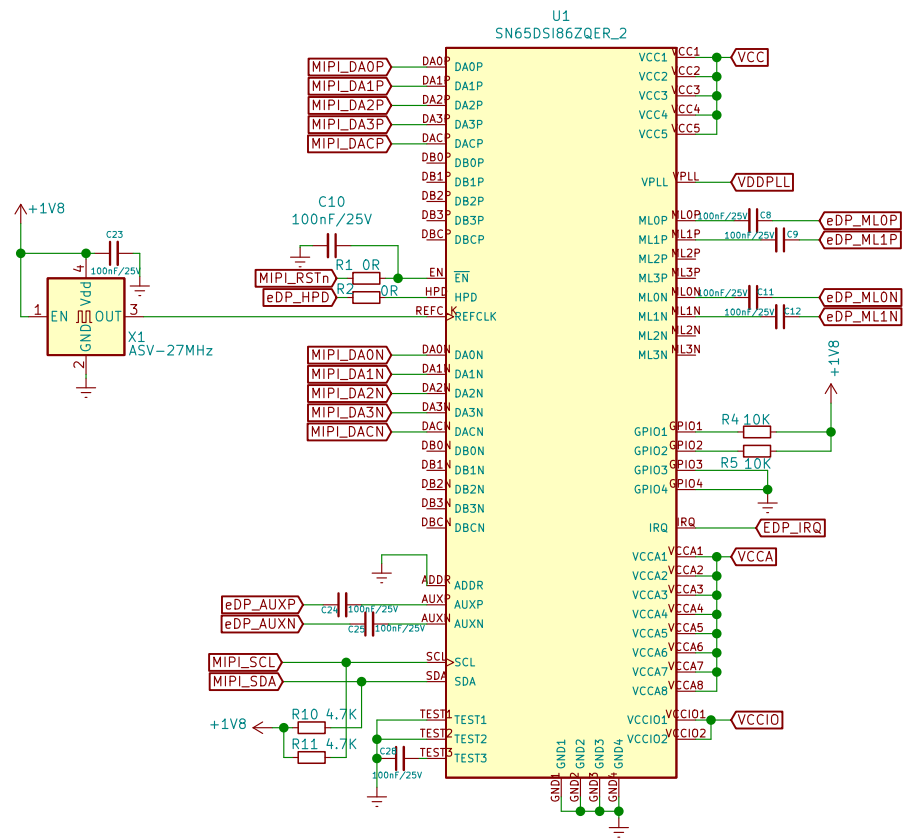
I2C_COMMUNICAITON



MIPL_DSI_INPUT_CONNECTOR_FROM_VIM3_BOARD



MIPL_TO_EDP_BRIDGE_IC



EDP_OUTPUT_CONNECTOR TO_EDP_DISPLAY

