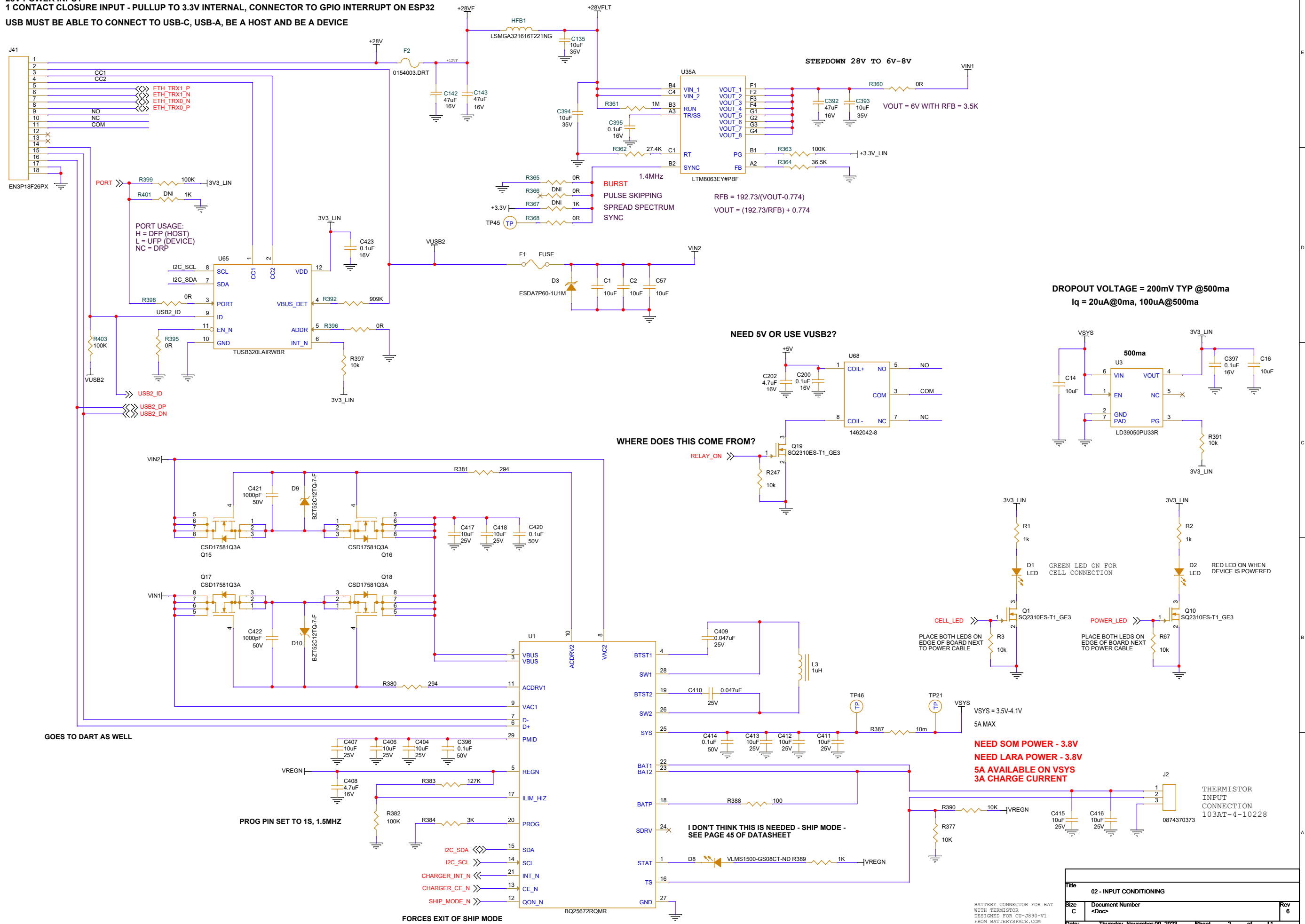


OUTPUT CONNECTOR WILL HAVE:
 ETHERNET - 2 PAIRS
 USB OTG - WITH 2 CC LINES, ID LINE?
 5V USB BIDIRECTIONAL POWER
 28V POWER INPUT
 1 CONTACT CLOSURE INPUT - PULLUP TO 3.3V INTERNAL, CONNECTOR TO GPIO INTERRUPT ON ESP32
 USB MUST BE ABLE TO CONNECT TO USB-C, USB-A, BE A HOST AND BE A DEVICE



DROPOUT VOLTAGE = 200mV TYP @500ma
Iq = 20uA@0ma, 100uA@500ma

NEED 5V OR USE VUSB2?

WHERE DOES THIS COME FROM?

NEED SOM POWER - 3.8V
NEED LARA POWER - 3.8V
5A AVAILABLE ON VSYS
3A CHARGE CURRENT

Title		02 - INPUT CONDITIONING	
Size	C	Document Number	<Doc>
Date:	Thursday, November 09, 2023	Sheet	2 of 11
Rev	6		

BATTERY CONNECTOR FOR BAT WITH THERMISTOR. DESIGNED FOR CU-3890-V1 FROM BATTERYSPACE.COM