

NOTES:

1. Project Drawing Numbers:

Raw PCB 100-0311002-B1
Gerber Files 110-0311002-B1
PCB Design Files 120-0311002-B1
Assembly Drawing 130-0311002-B1
Fab Drawing 140-0311002-B1
Schematic Drawing 150-0311002-B1
PCB Film 160-0311002-B1
Bill of Materials 170-0311002-B1
Schematic Design Files 180-0311002-B1
Functional Specification 210-0311002-B1
PCB Layout Guidelines 220-0311002-B1
Assembly Rework 320-0311002-B1

REV	DATE	PAGES	DESCRIPTION
A		All	Rev A Release
B	9/16/2019		SWAP PCIE DIFFERENTIAL PAIRS (TX/RX) ON XJ3
			ADD JTAG CONNECTOR
			ADD PXITRIG LOOP BACK FOR TEST

Page 1: Title
Page 2: XMC Connector

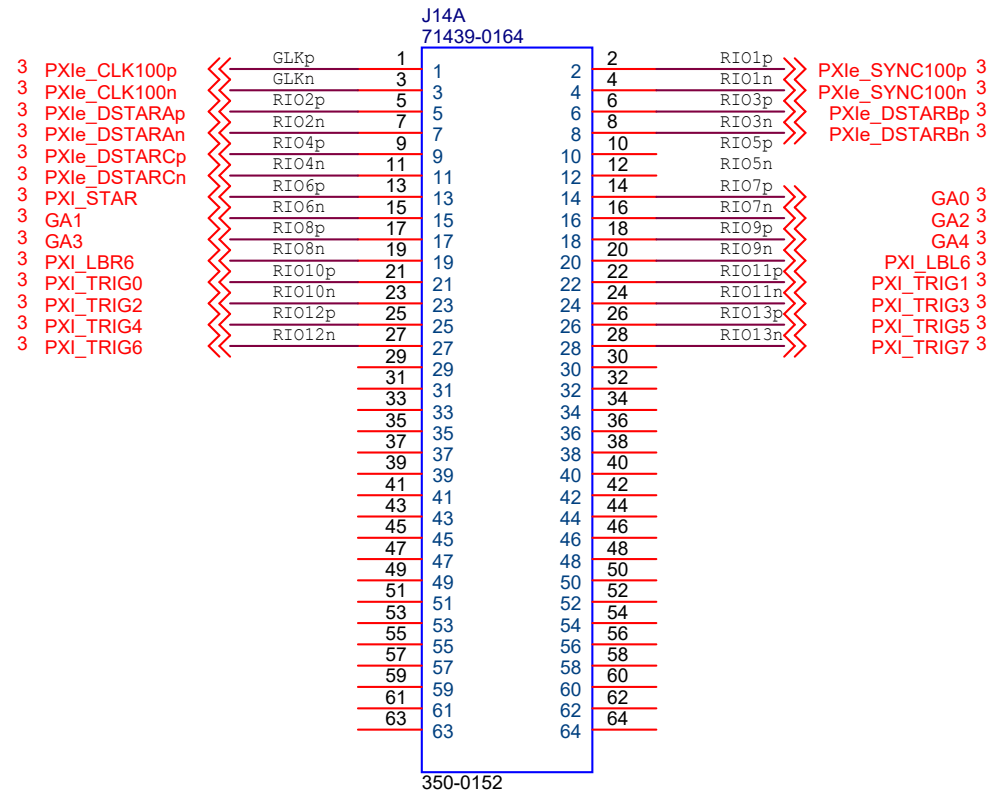
ALPHI TECHNOLOGY CORPORATION

1898 E. Southern Ave Tempe, Az 85282

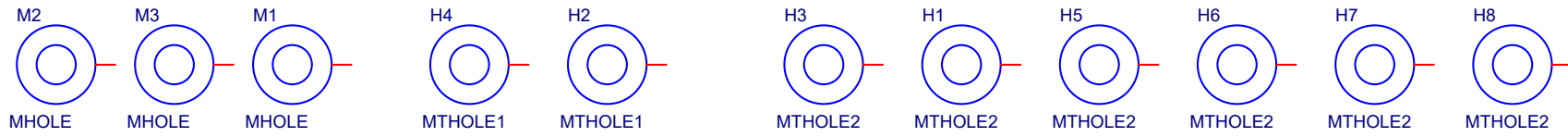
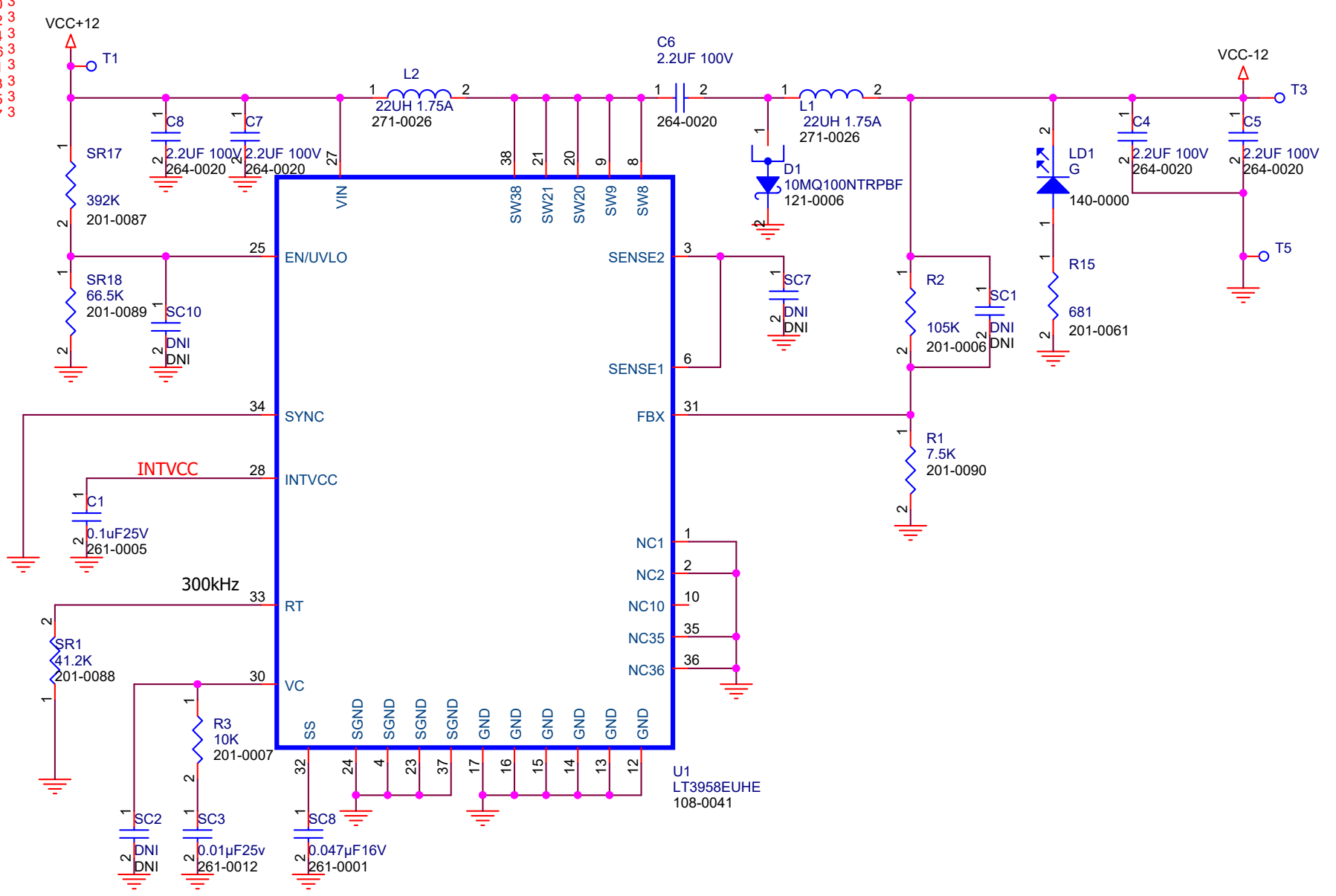
PXIe - XMC SCHEMATIC

Size A	CAGE Code 0P771	DWG NO 927-01-001-0210	Rev B
Scale	Monday, September 16, 2019	Sheet 1 of 3	

PMC I/O CONNECTOR Carrier



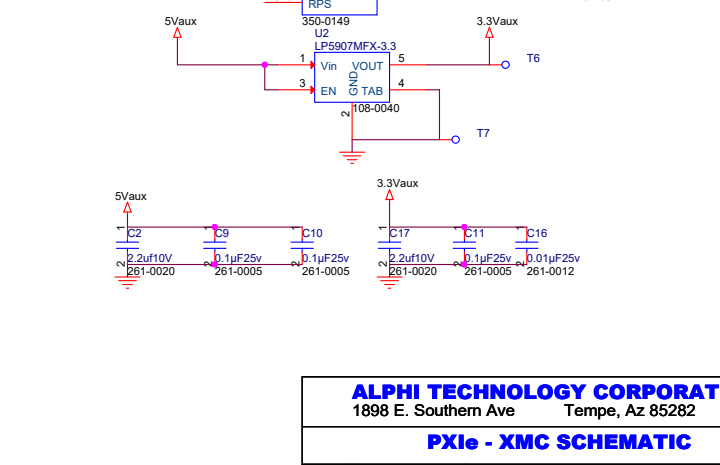
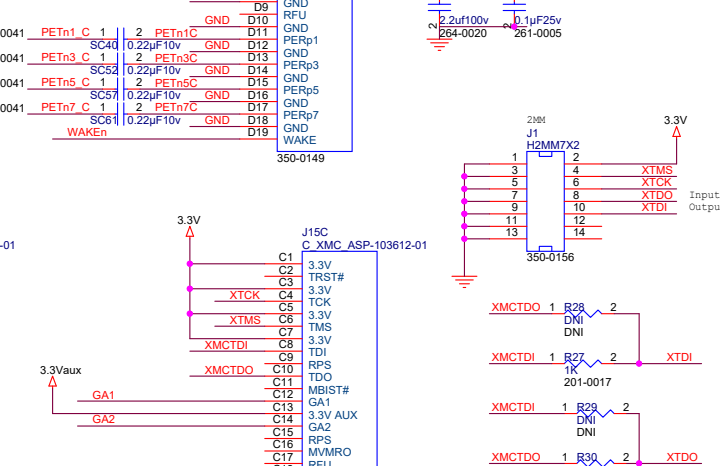
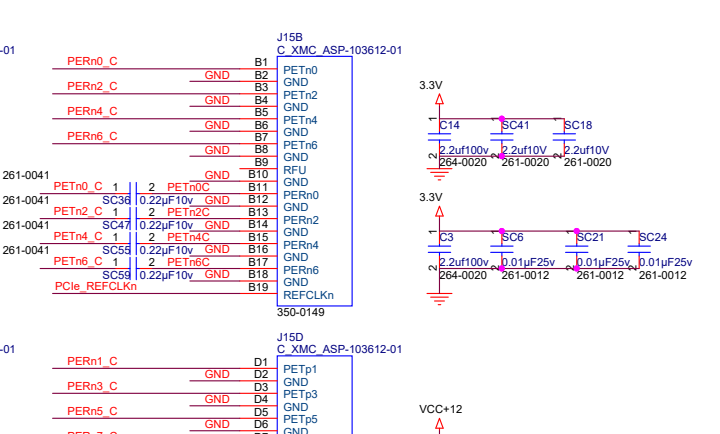
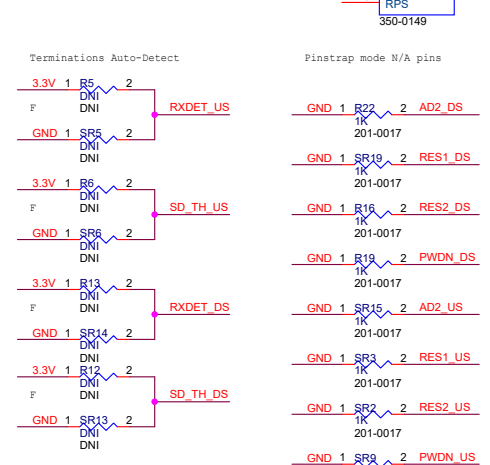
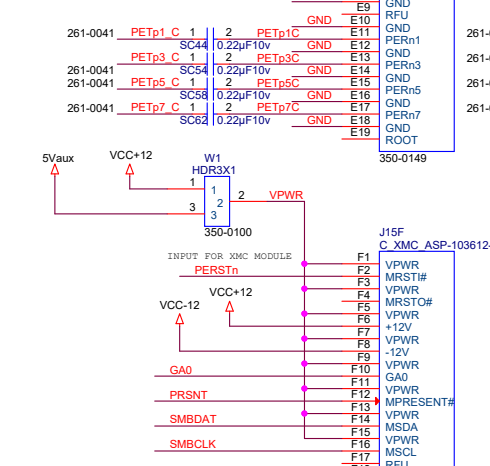
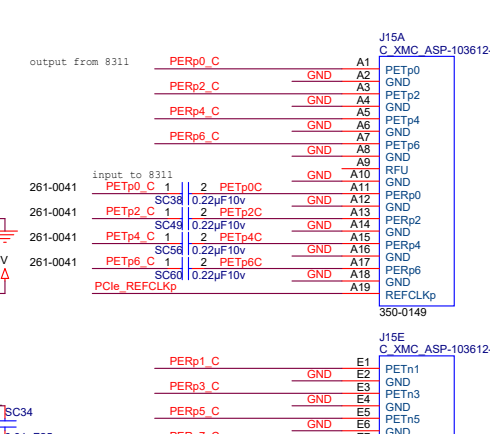
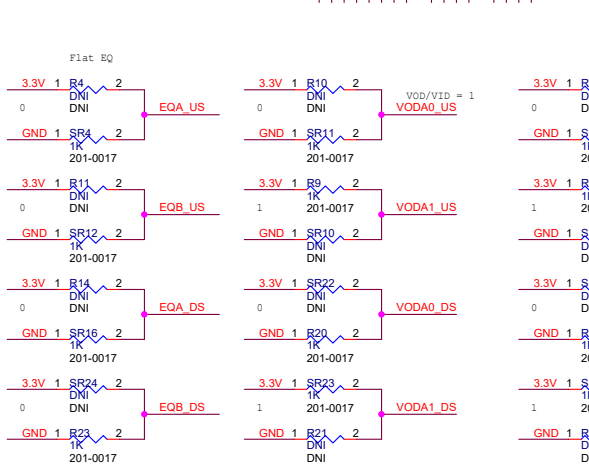
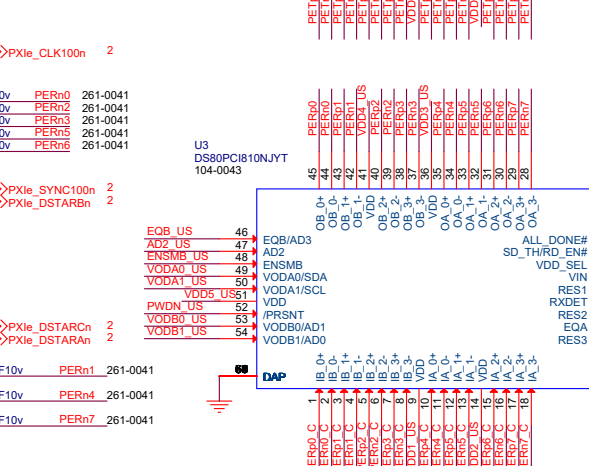
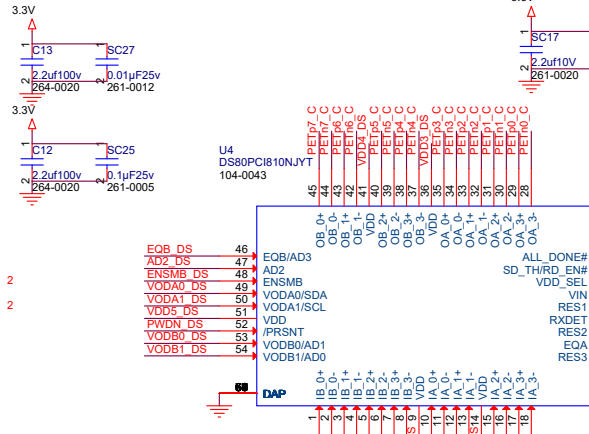
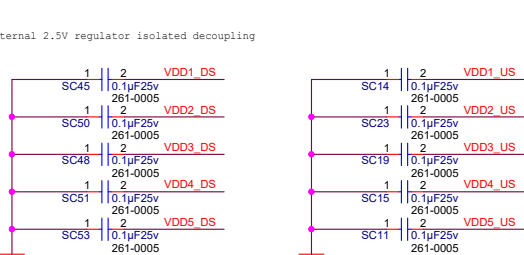
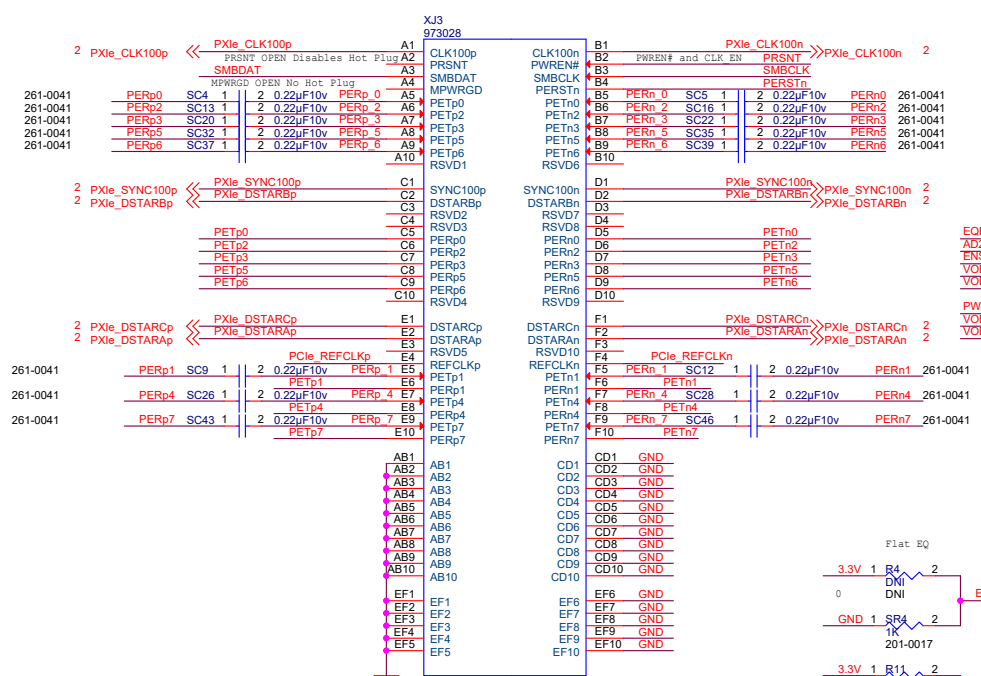
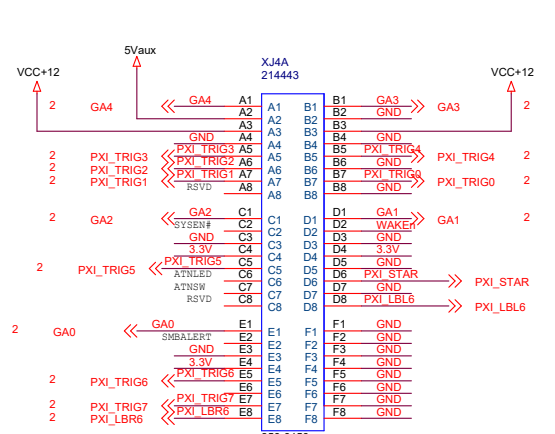
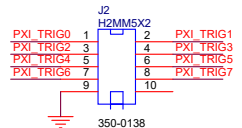
- GA0 3
- GA2 3
- GA4 3
- PXI_LBL6 3
- PXI_TRIG1 3
- PXI_TRIG3 3
- PXI_TRIG5 3
- PXI_TRIG7 3



ALPHI TECHNOLOGY CORPORATION
1898 E. Southern Ave Tempe, Az 85282

PXIe - XMC SCHEMATIC

Size B	CAGE Code 0P771	DWG NO 927-01-001-0210	Rev B
Scale	Monday, September 16, 2019		Sheet 2 of 3



ALPHI TECHNOLOGY CORPORATION
 1898 E. Southern Ave Tempe, Az 85282

PXIe - XMC SCHEMATIC

Size Custom	CAGE Code 0P771	DWG NO 927-01-001-0210	Rev B
Scale	Monday, September 16, 2019	Sheet 3 of 3	