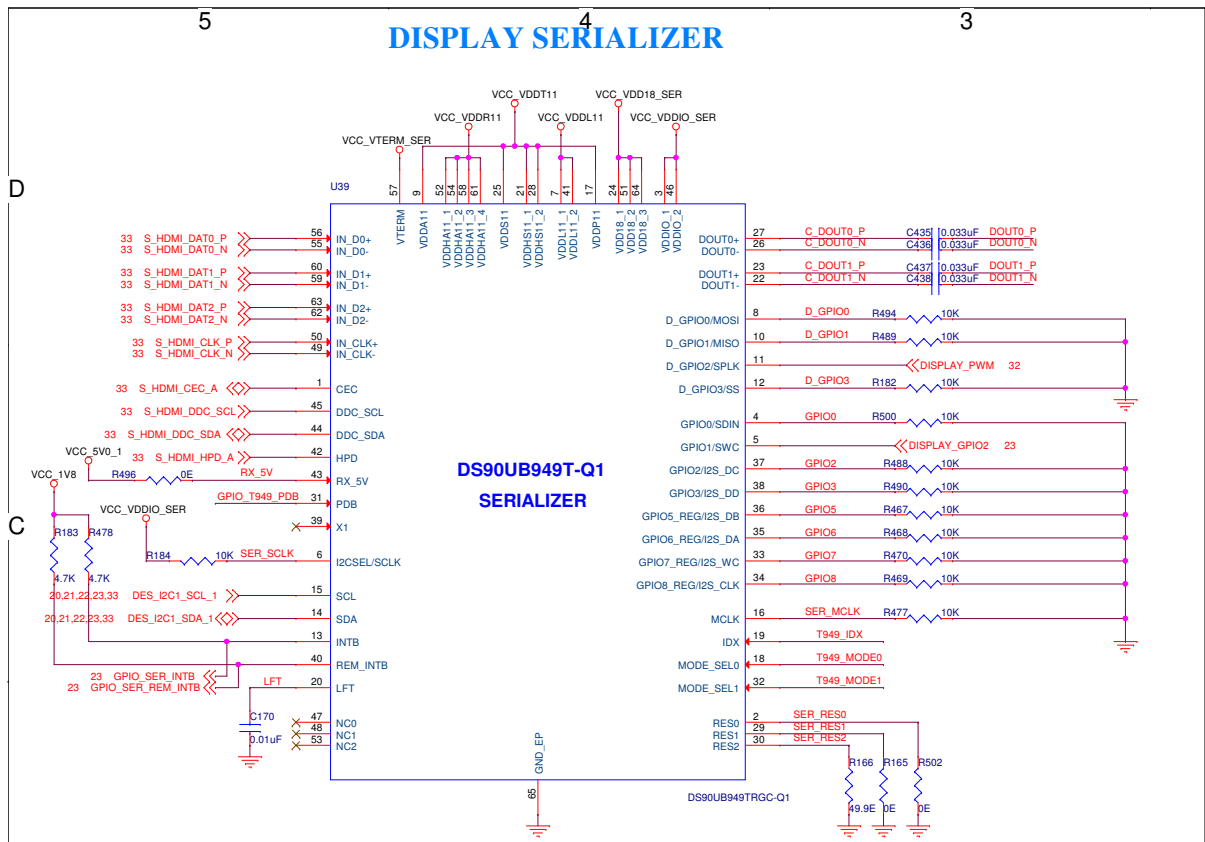
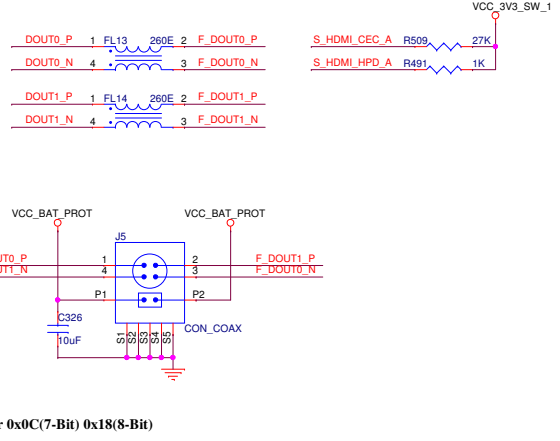
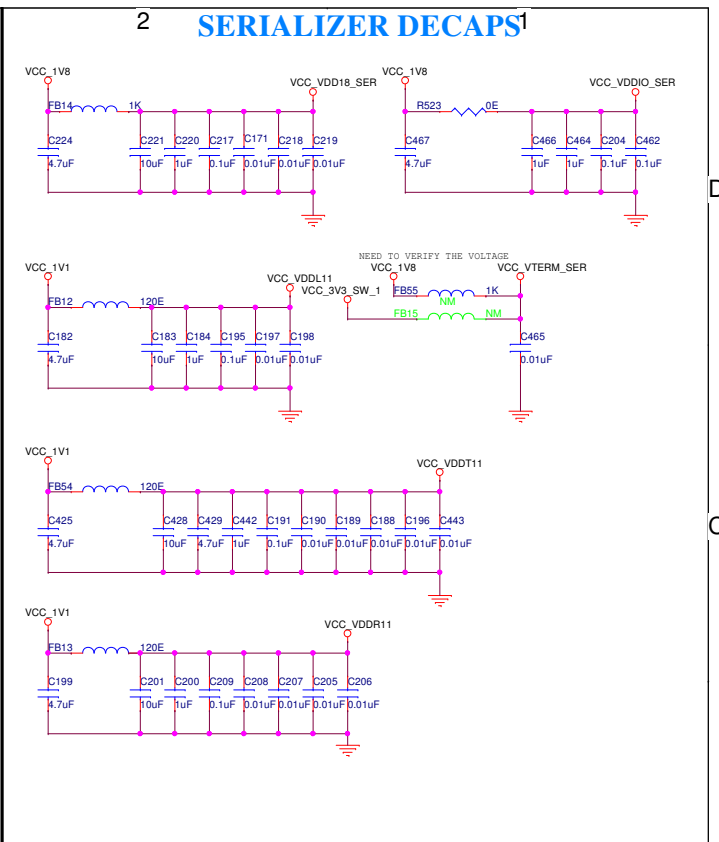


# DISPLAY SERIALIZER



# SERIALIZER DECAPS



I2C Addr 0x0C(7-Bit) 0x18(8-Bit)

