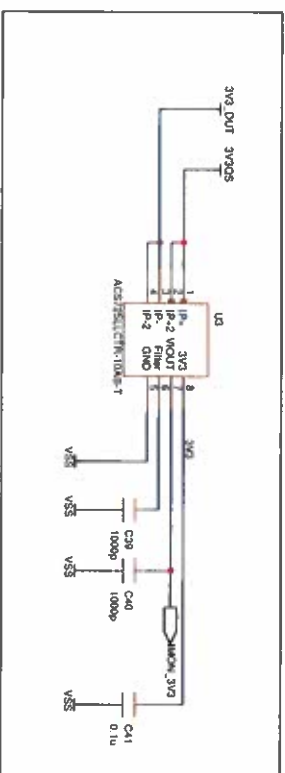
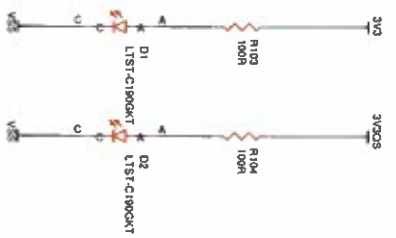
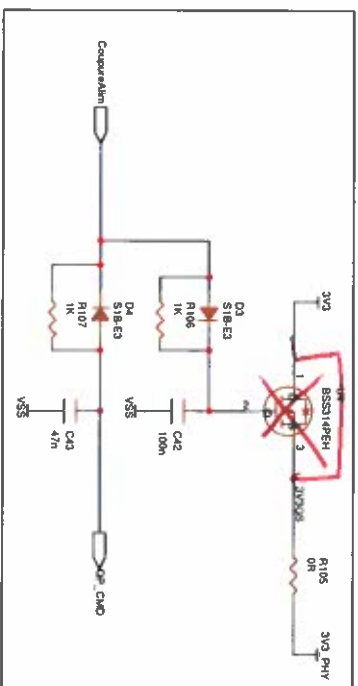


Customer: Nucléudes	Customer: Damien, Emmanuel 404 Eclair C123-18 T0P
Created by: R. BOUJACHBA	Verified by: <Project Leader>
VIVERIS 54555 Rue de Gaulle 94150 Runy France	
ROOT	
Tuesday, January 02, 2024	Sheet Size: 11 x 11 A3 Rev: A01



Monitoring de courant



delaicheur

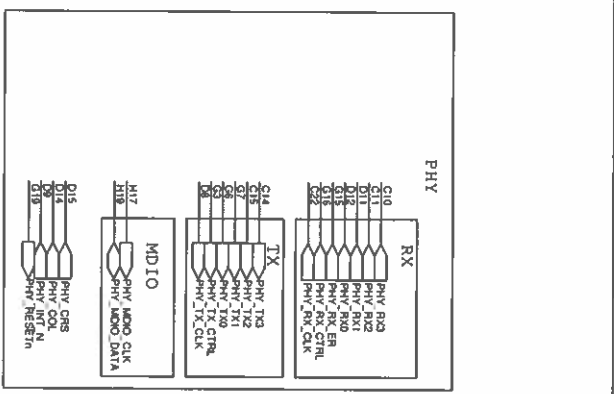
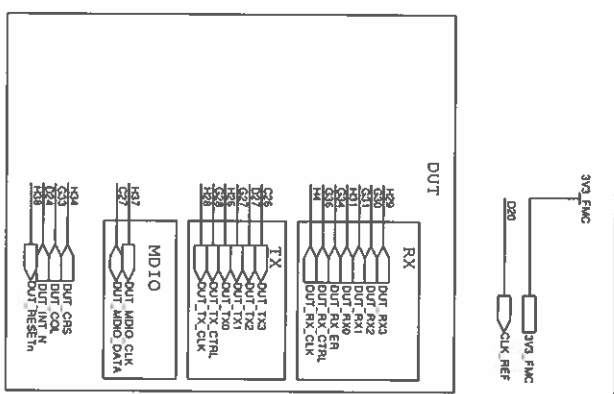
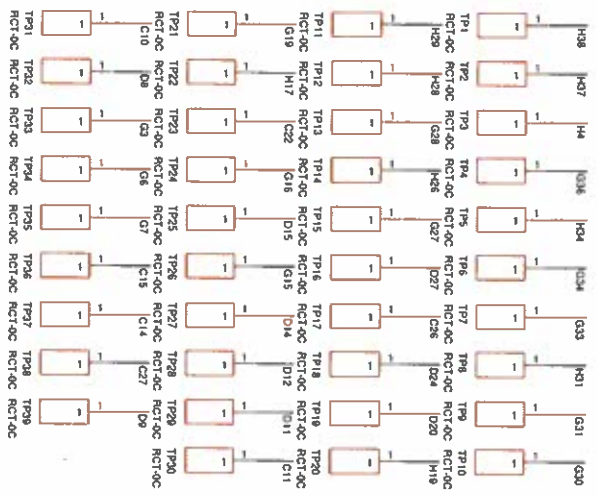
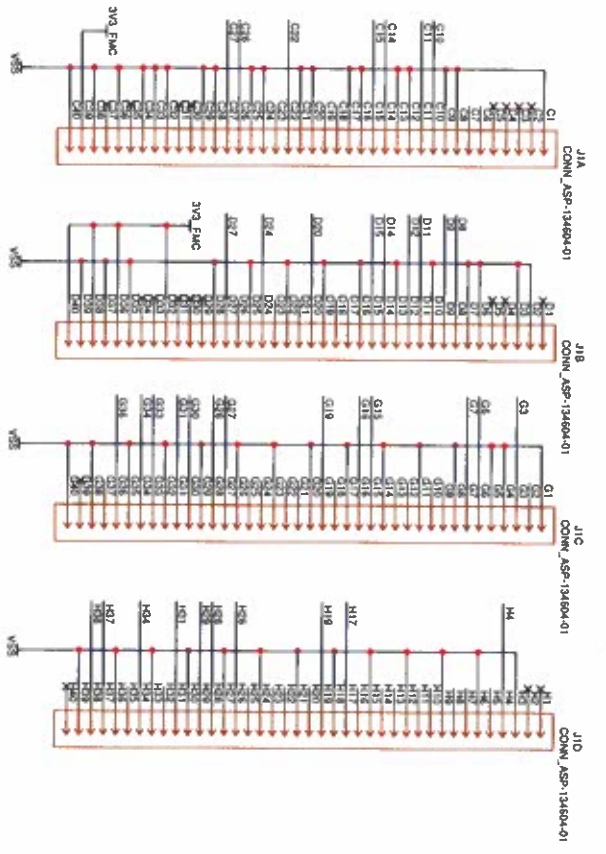


VIVERIS
 54/56 Rue d'Orléans
 41100 Vendôme

VIVERIS
 ALIMENTATION

Customer:	Nucleoludes	Design/Finame:	J04 00402 C23 18	Created by:	R BOUACHIBA	Verified by:	Project Leader	Sheet Size:	A0
		ALIMENTATION							

Tuesday, January 02, 2012



VIVERIS
 5455 Rue de Gaulle
 94150 Rungis

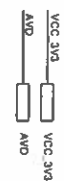
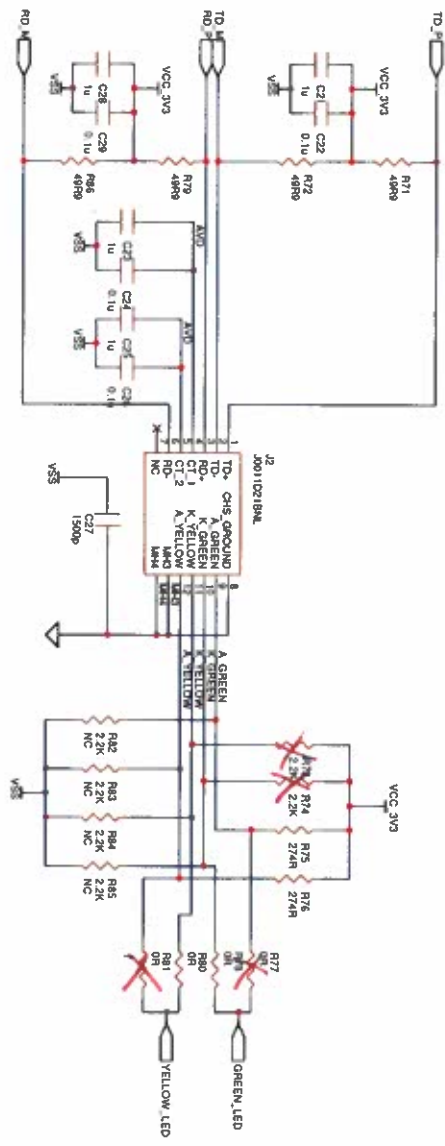
Connecteur FMC

Customer: **Nucleudes**
 Design: Finaance
 J44 03002 c03-18
 CONNECTEUR

Created by: R.BOUACHIBA
 Verified by: <dropped> Leader>

Sheet: 3
 Size: A3
 Rev: 401

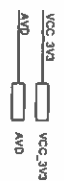
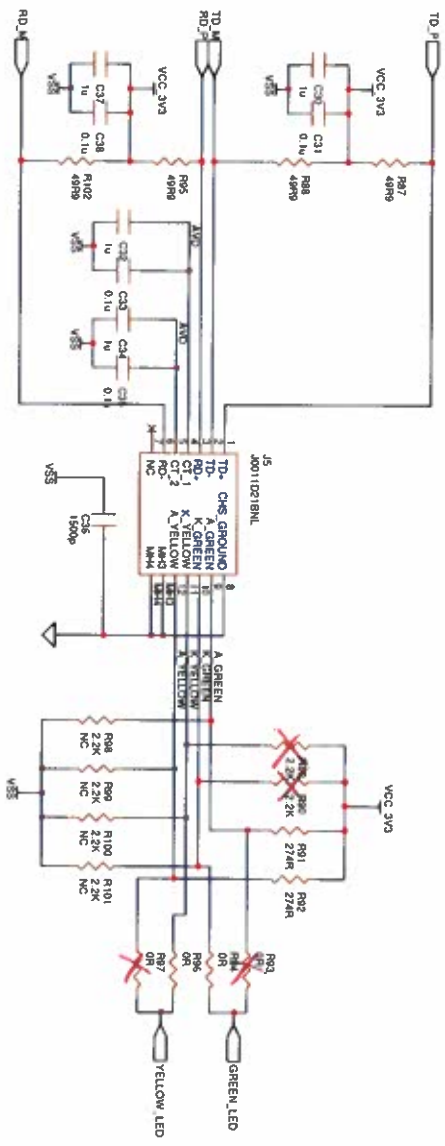
Tuesday, January 02, 2024



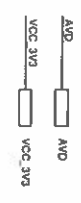
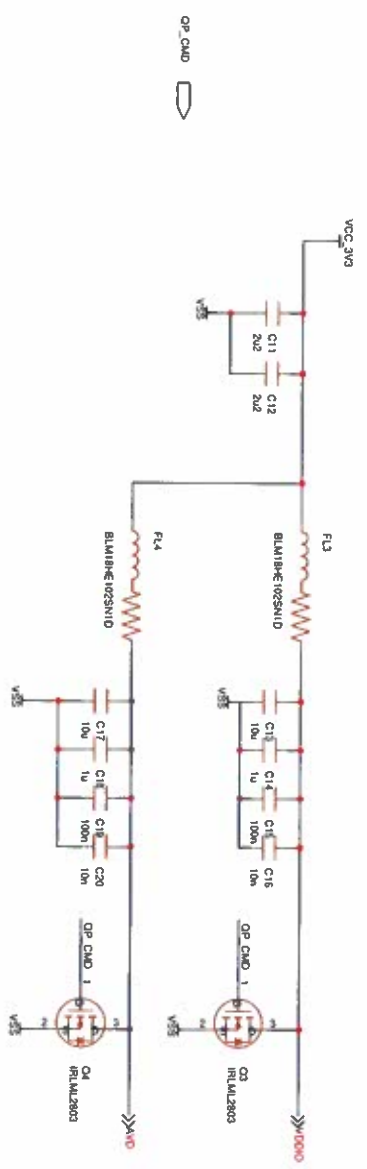
VIVERIS
 5455 Rue d'ouest
 41150
 France

ETHERNET 1

Customer:	Design/Phase:	Created by:	Verified by:	Sheet:	Size:	Rev:
Nucléudes	J04 6040Z C23-1e ETHERNET	R.BOUACHIBA	Project Leader	4	11A0	1A0
Tuesday, January 09, 2024						



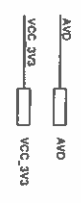
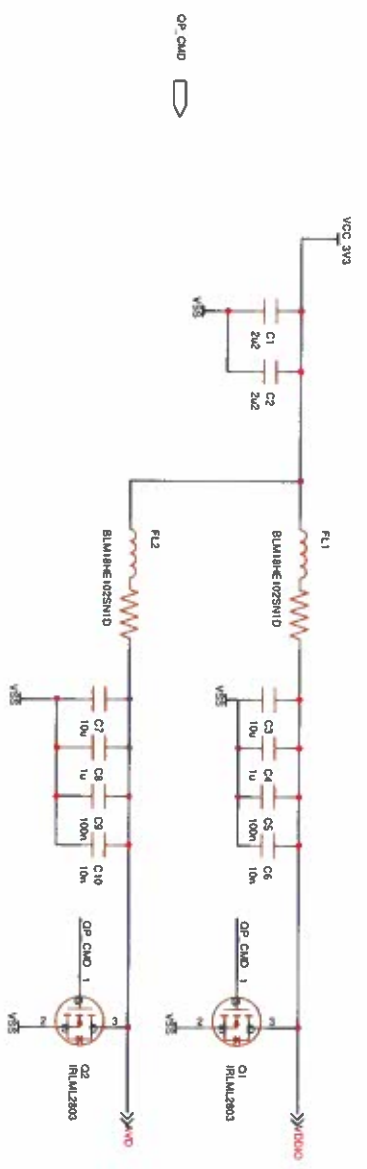
		VIVERIS 54/55 Rue d'Arcueil 94150 Rungis	
Customer: Nucléoludis	Dupon, Françoise and Etalon, cirs-18 ETHERNET	Created by: R.BOUACHIBA	Validated by: <Project Leader>
Tueday, January 02, 2024	Sheet Size 5" x 11.43"	Rev 1/01	




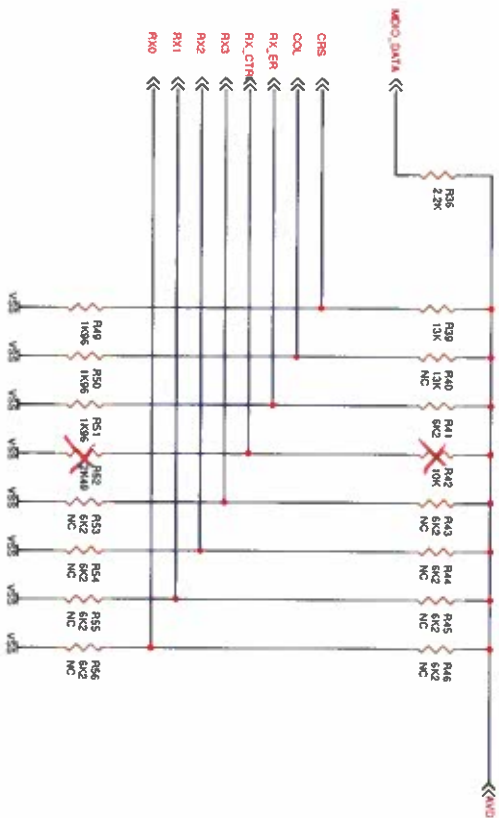
VIVERIS
5455 Rue d'Artois
941150
Rungis

Alimentation DUT

Customer:	Nucléoludes		
Created by:	Daxien, Etienne	Verified by:	Project Leaders
Created on:	2024-01-18	Sheet:	5
Project:	RISQUA-184	Size:	A3
		Rev:	A01



		VIVERIS 54-55 Rue d'archel 94150 Rungeys	
Client Nucléudes		Projet Alimentation PHY	
Date: Tuesday, January 07, 2025 Created by: R.BONJACHBA	Dessiné par: JON.60A02.CRS.16 P.H.Y	Vérifié par: -Projet Leaders-	Sheet: 7 Size: A3 Rev: A01

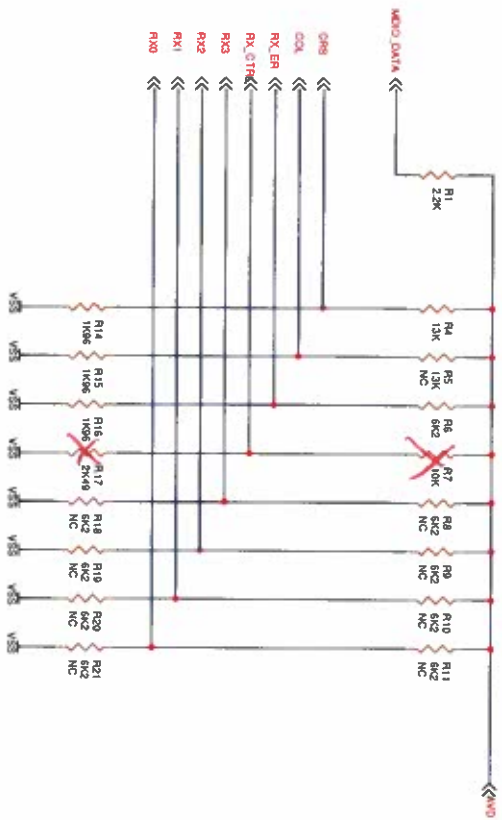


VIVERIS
54/56 Rue d'Artois
64150
Rungis

Configuration DUT

Customer	Nucléudes		
Design, Finance	Joué d'Artois 02/20/18		
PHY	Created by	R.BOUACHEBA	Validated by
			Project Leader's
		Sheet	Size
		8	11 A3
		Rev	A01

Tuesday, January 02, 2024



VIVERIS

VIVERIS
54755 Rue d'Arcueil
94150
Rungis

Configuration PHY

Customer:
Nucléoludis

Design, Firmware
Joa. Gavoz GRS-16
PHY

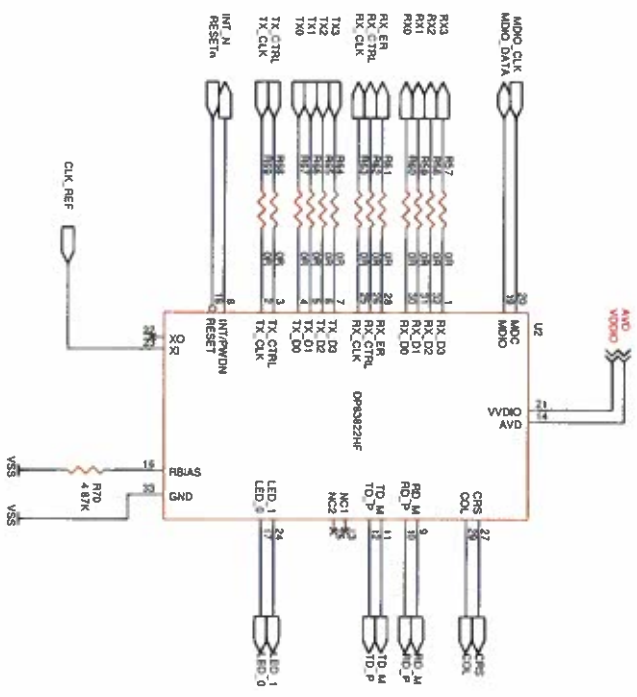
Tuesday, January 02, 2024

Created by:
R. BOUACHIDA

Verified by:
<Project Leader>

Sheet Size
9 | 11 A3

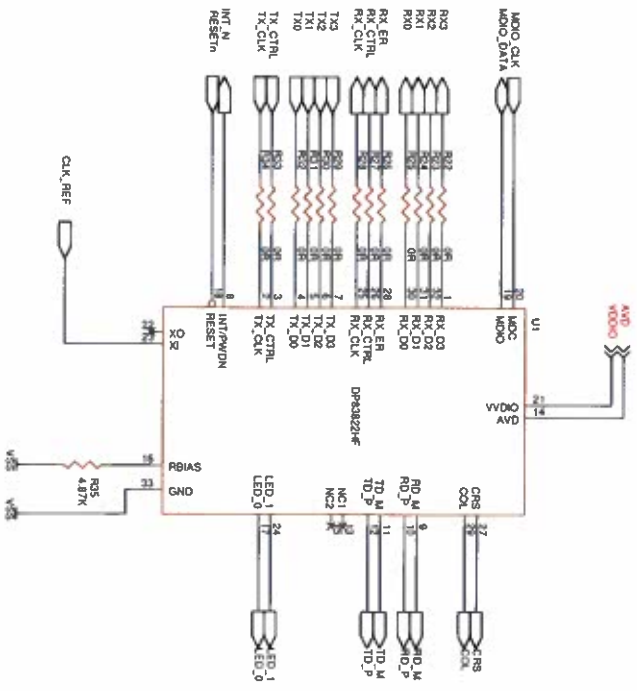
Rev
M11



VIVERIS
5455 Rue d'Orléans
41130
Fouy-la-Vieille

DUT

Customer:	Design/Reference:	Created by:	Validated by:	Sheet Size:	Page:
Nucléudes	J04_02M02_C123-18 PHY	R.BOUACHABA	<Project Leader>	10 1 A3	101
Tuesday, January 02, 2024					



VIVERIS
54-55 Rue de la
Salle
Rumpe
PHY

Customer:	Nucleudes		
Design Engineer:	Johannes Cizs		
PHY	Created by:	RIBOUACHBA	Verified by:
PHY	Project Leader:		
Tuesday, January 02, 2024	Sheet Size:	17 11 A3	Rev:
			A01