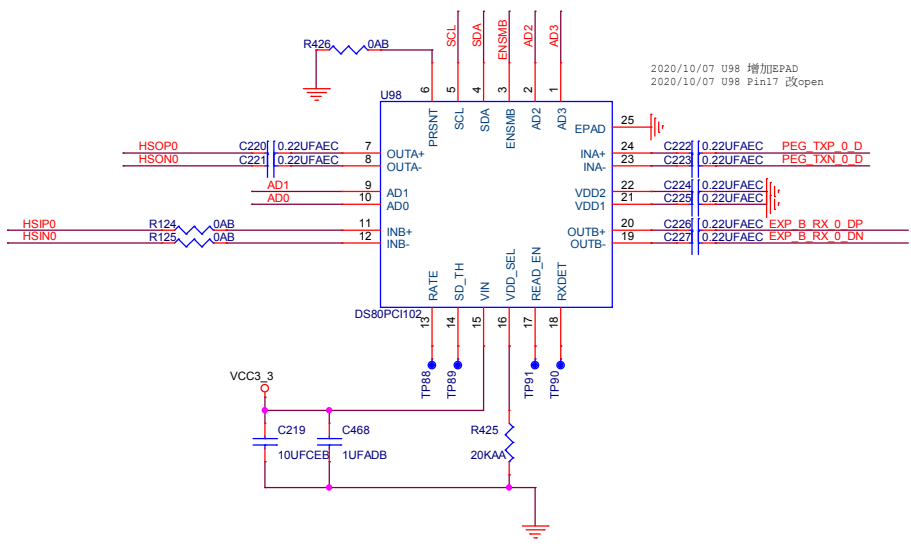
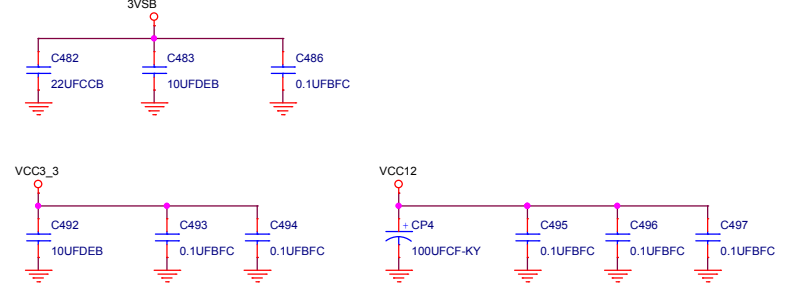
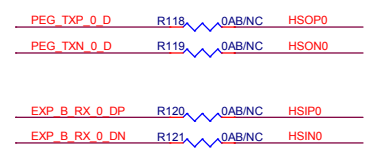
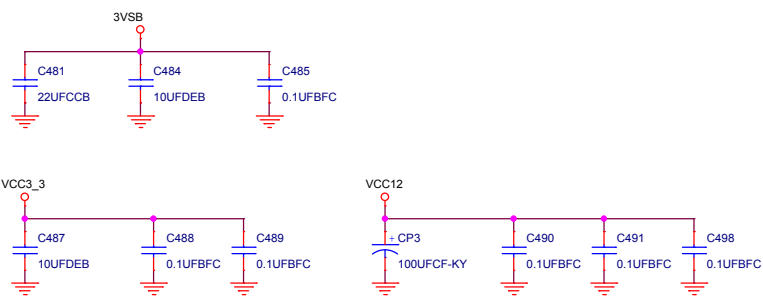
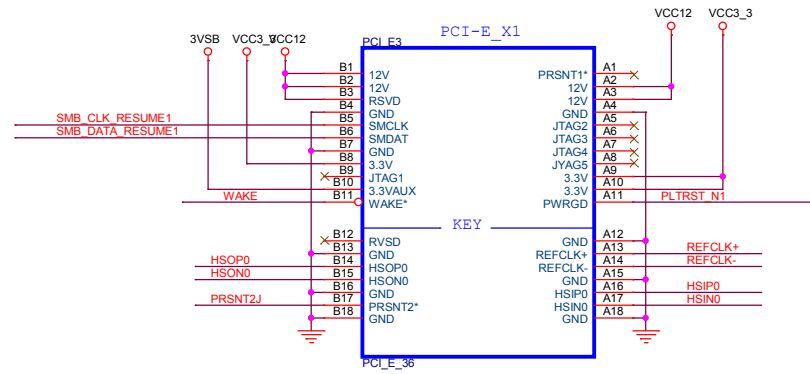
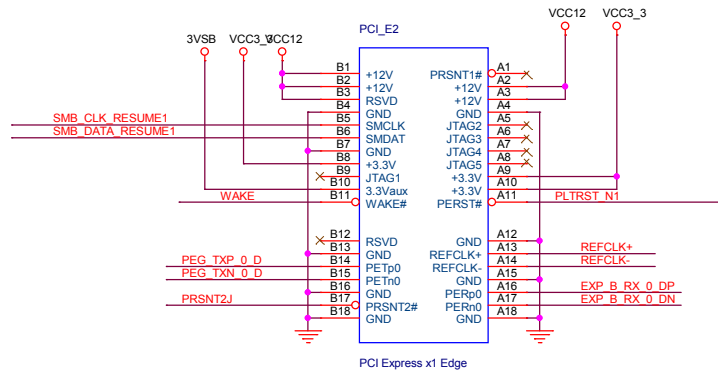


PCIe X1 GOLD FINGER

PCIe X1 SLOT



2020/10/07 U98 增加EPAD
2020/10/07 U98 Pin17 改open

Protech Systems Co.,Ltd.
PCIE X1 GOLD FINGER/SLOT
 Size: Custom Document Number: SR-N707-G0A-1 Rev: C1A
 Date: Wednesday, October 07, 2020 Sheet 3 of 4