

# GPIO EXP & FRU

## Device Address

Figure 4 shows the address byte of the TCA9555.

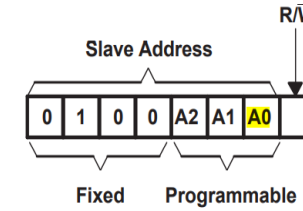
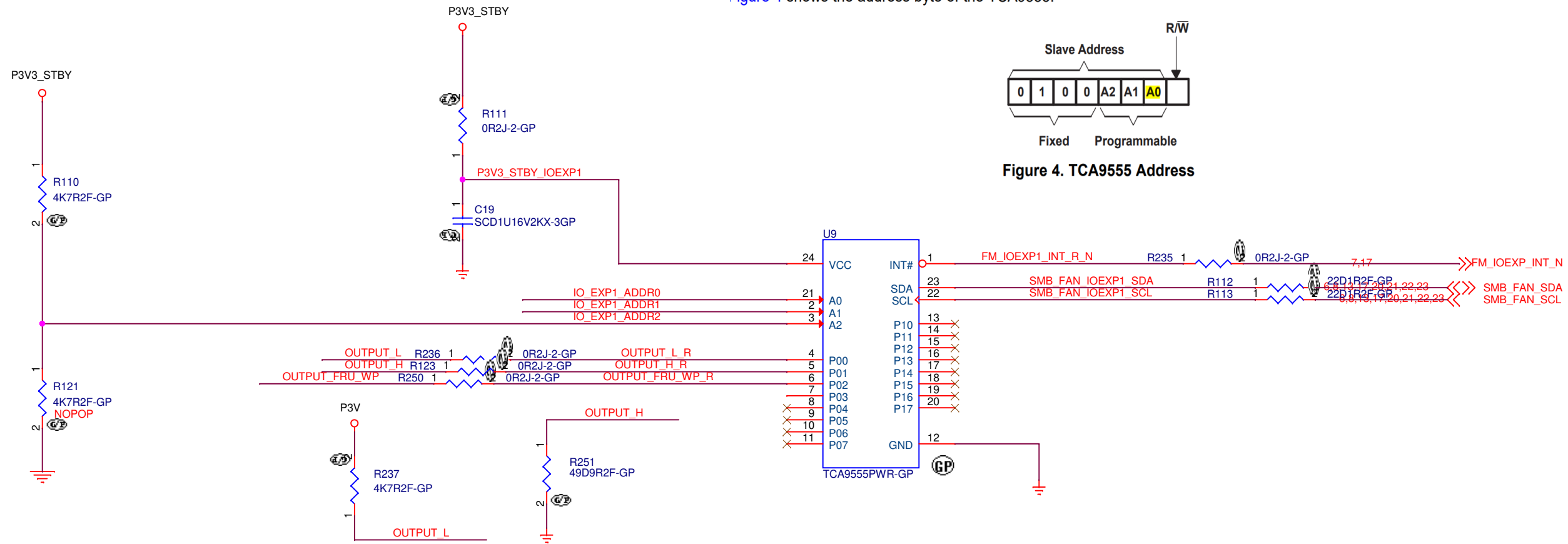


Figure 4. TCA9555 Address



## EEPROM FRU

20230809:  
Place C1 close to PWR PIN

