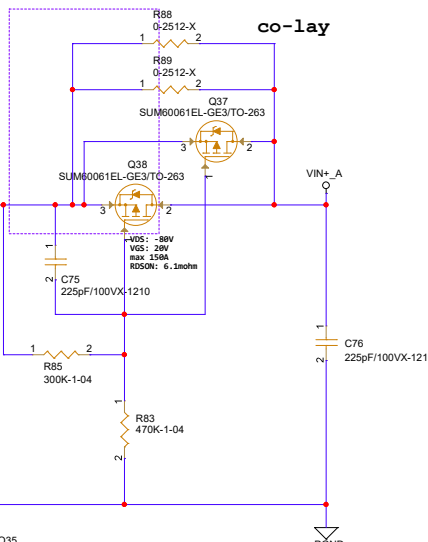
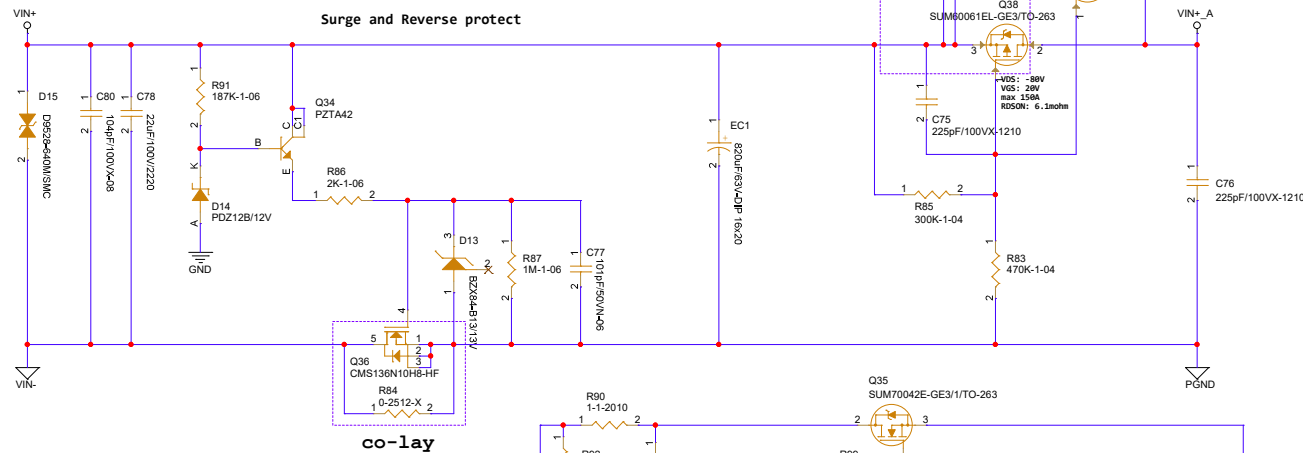
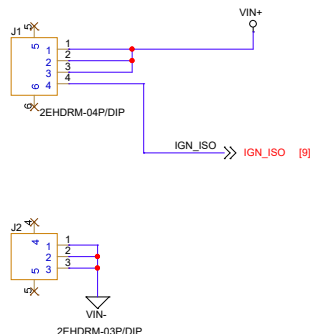


# DC IN 8~48V

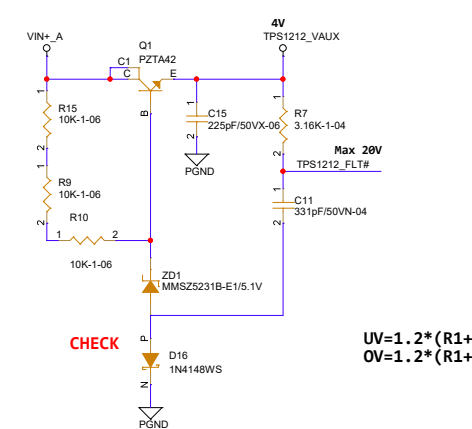
VIN = 8V, MAX. INPUT POWER = 3\*15\*8=360W  
 VIN = 12V, MAX. INPUT POWER = 3\*15\*12=540W  
 VIN = 24V, MAX. INPUT POWER = 3\*15\*24=1080W  
 VIN = 36V, MAX. INPUT POWER = 1250W (LIMIT)  
 12V max 300W  
 OV 55V  
 OC 50A

15A/PIN



co-lay

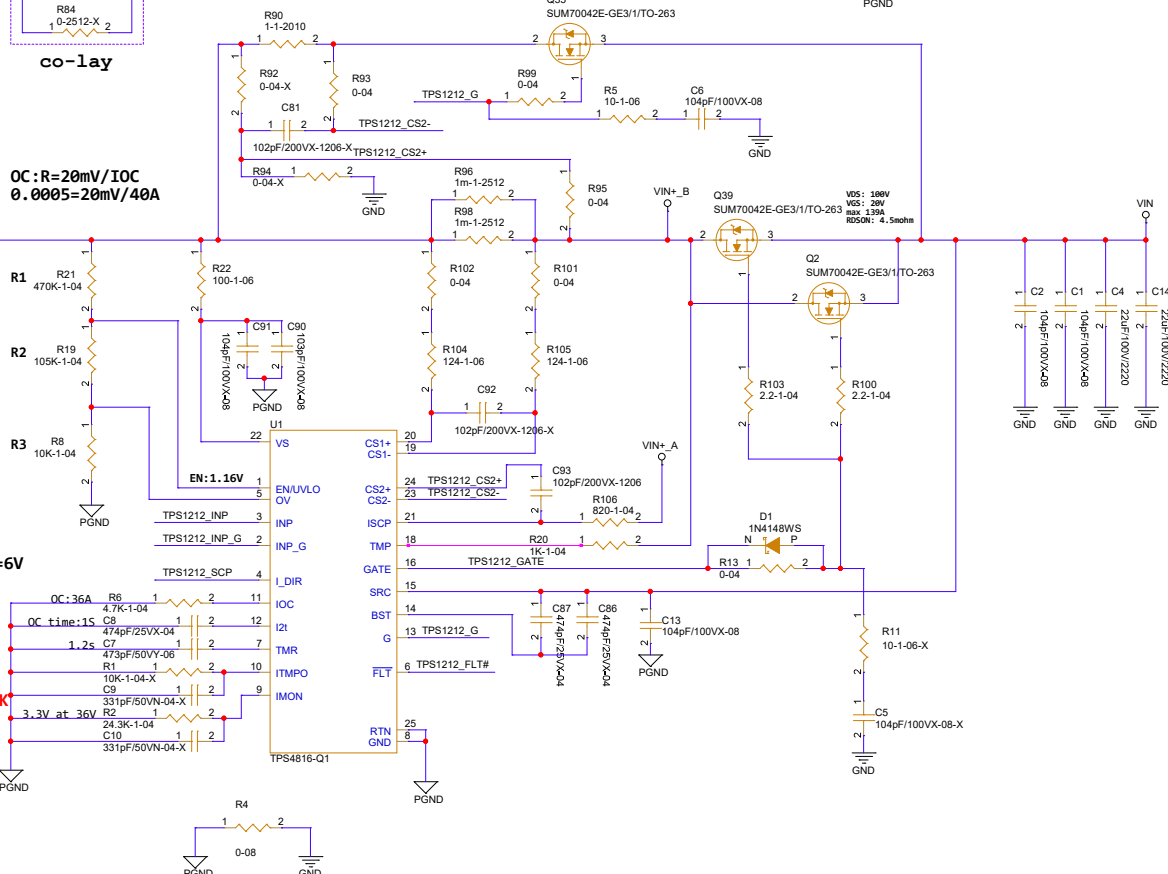
OC: R=20mV/IO  
 0.0005=20mV/40A



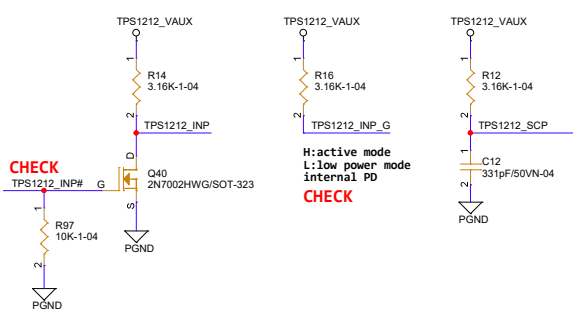
CHECK

$$UV = 1.2 * (R1 + R2 + R3) / R3 = 70V$$

$$OV = 1.2 * (R1 + R2 + R3) / (R2 + R3) = 6V$$



CHECK



CHECK

H: active mode  
 L: low power mode  
 internal PD  
 CHECK